



PHILMAC LD PIPE FITTINGS.

DISTRIBUTED BY



by aliaxis

LOW DENSITY PIPE FITTINGS RANGE

Whether you are storing, transporting or distributing water or wastewater RXP has the solution for you. With manufacturing facilities New Zealand wide and selections of strong supporting brands RXP can assist whatever your requirements.



STRAIGHTS



Straight Coupling		
RXP Code	Primary	Secondary
LDSC15	15mm	15mm
LDSC20	20mm	20mm
LDSC25	25mm	25mm
LDSC32	32mm	32mm
LDSC40	40mm	40mm
LDSC45	45mm	45mm
LDSC50	50mm	50mm



Reducing Coupling		
RXP Code	Primary	Secondary
LDRC2015	20mm	15mm
LDRC2515	25mm	15mm
LDRC2520	25mm	20mm
LDRC3220	32mm	20mm
LDRC3225	32mm	25mm
LDRC4025	40mm	25mm
LDRC4032	40mm	32mm
LDRC4540	45mm	40mm
LDRC5040	50mm	40mm



Male Coupling		
RXP Code	Primary	Secondary
LDMC15	15mm	1/2"
LDMC20	20mm	3/4"
LDMC25	25mm	1"
LDMC32	32mm	1 1/4"
LDMC40	40mm	1 1/2"
LDMC4550	45mm	2"
LDMC50	50mm	2"



Reducing Male Coupling		
RXP Code	Primary	Secondary
LDRMC1520	15mm	3/4"
LDRMC2015	20mm	1/2"
LDRMC2025	20mm	1"
LDRMC2515	25mm	1/2"
LDRMC2520	25mm	3/4"
LDRMC3220	32mm	3/4"
LDRMC3225	32mm	1"



Female Coupling		
RXP Code	Primary	Secondary
LDFC15	15mm	1/2"
LDFC20	20mm	3/4"
LDFC25	25mm	1"
LDFC32	32mm	1 1/4"
LDFC40	40mm	1 1/2"
LDFC50	50mm	2"



Reducing Female Coupling		
RXP Code	Primary	Secondary
LDRFC2015	20mm	1/2"
LDRFC2520	25mm	3/4"
LDRFC3225	32mm	1"
LDRFC4032	40mm	1 1/4"
LDRFC5040	50mm	1 1/2"



BENDS



Bend		
RXP Code	Primary	Secondary
LDB15	15mm	15mm
LDB20	20mm	20mm
LDB25	25mm	25mm
LDB32	32mm	32mm
LDB40	40mm	40mm
LDB50	50mm	50mm



Male Bend		
RXP Code	Primary	Secondary
LDMB15	15mm	1/2"
LDMB20	20mm	3/4"
LDMB25	25mm	1"
LDMB32	32mm	1 1/4"
LDMB40	40mm	1 1/2"
LDMB50	50mm	2"



Reducing Male Bend		
RXP Code	Primary	Secondary
LDRMB1520	15mm	3/4"
LDRMB2015	20mm	1/2"
LDRMB2025	20mm	1"
LDRMB2520	25mm	3/4"



Female Bend		
RXP Code	Primary	Secondary
LDFB15	15mm	1/2"
LDFB20	20mm	3/4"
LDFB25	25mm	1"
LDFB32	32mm	1 1/4"
LDFB40	40mm	1 1/2"
LDFB50	50mm	2"



Reducing Female Bend		
RXP Code	Primary	Secondary
LDRFB1520	15mm	3/4"
LDRFB2015	20mm	1/2"
LDRFB2025	20mm	1"
LDRFB2520	25mm	3/4"
LDRFB2532	25mm	1 1/4"
LDRFB3225	32mm	1"
LDRFB3240	32mm	1 1/2"
LDRFB4032	40mm	1 1/4"
LDRFB4050	40mm	2"
LDRFB5040	50mm	1 1/2"



Long Male Bend		
RXP Code	Primary	Secondary
LDLMB15	15mm	1/2"
LDLMB20	20mm	3/4"
LDLMB25	25mm	1"



Long Reducing Male Bend		
RXP Code	Primary	Secondary
LDLRMB1520	15mm	3/4"
LDLRMB2015	20mm	1/2"
LDLRMB2025	20mm	1"
LDLRMB2520	25mm	3/4"

TEES



Tee		
RXP Code	Primary	Secondary
LDT15	15mm	15mm
LDT20	20mm	20mm
LDT25	25mm	25mm
LDT32	32mm	32mm
LDT40	40mm	40mm
LDT50	50mm	50mm



Reducing Tee		
RXP Code	Primary	Secondary
LDRT1520	15mm	20mm
LDRT2015	20mm	15mm
LDRT2025	20mm	25mm
LDRT2515	25mm	15mm
LDRT2520	25mm	20mm
LDRT3220	32mm	20mm
LDRT3225	32mm	25mm
LDRT4025	40mm	25mm
LDRT4032	40mm	32mm
LDRT5032	50mm	32mm
LDRT5040	50mm	40mm



Male Tee		
RXP Code	Primary	Secondary
LDMT1520	15mm	3/4"
LDMT2020	20mm	3/4"



Female Tee		
RXP Code	Primary	Secondary
LDFT15	15mm	1/2"
LDFT20	20mm	3/4"
LDFT25	25mm	1"
LDFT32	32mm	1 1/4"
LDFT40	40mm	1 1/2"
LDFT50	50mm	2"

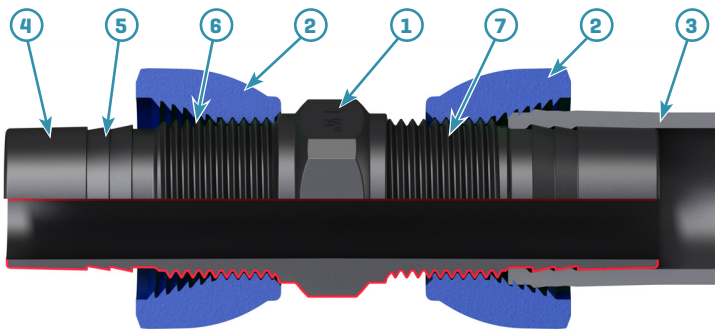


Bracket Elbow		
RXP Code	Primary	Secondary
LDBE15	15mm	1/2"
LDBE20	20mm	3/4"



Reducing Bracket Elbow		
RXP Code	Primary	Secondary
LDLBE1520	15mm	3/4"
LDLBE2015	20mm	1/2"

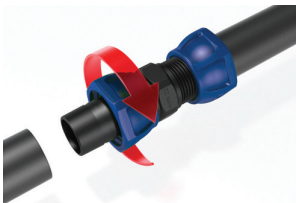
INSTALLATION AND DESIGN



Fitting features and benefits

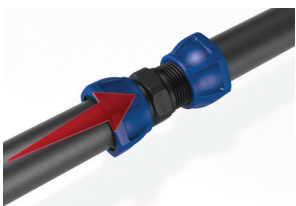
- Fitting body ① and nut ② manufactured from tough, impact resistant glass fibre reinforced nylon for long product life in all general working applications.
- Tested and proven to fit all New Zealand LDPE pipe ③ from 15mm to 50mm (see Pipe & Fitting Data).
- Barbed Insert ④ and barbs ⑤ push inside pipe to provide interior grip and prevent dislodgement.
- Sharp nut teeth ⑥ bite onto pipe and compress the open pipe end behind the fitting barbs ⑤.
- Parallel thread ⑦ guides nut ② onto pipe to ensure a simplistic, positive engagement every time.

Installation instructions



Step 1

Cut pipe ends square with pipe cutters, knife or saw. Deburr and chamfer ends if required. Turn nut until it stops.



Step 2

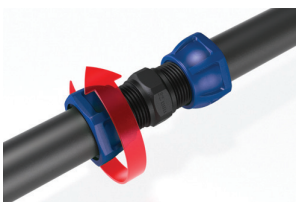
Push pipe over barbed insert until it stops. The pipe is inserted into the nut.

Hint: On particularly cold days warm pipe for easier fit.



Step 3

Turn the nut by hand until it grips the outside of the pipe. The nut teeth will cut into the pipe.



Step 4

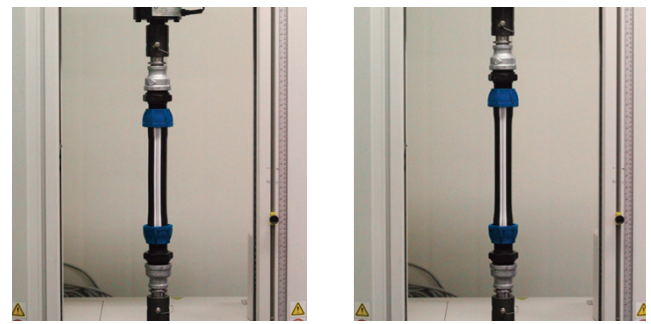
Lock the nut tight onto the pipe using a pipe grip, the nut spanner or wrench. This will compress the pipe over the fitting barbs.

Functional form

From the onset we let function dictate the form, focusing on human and mechanical grip. We then optimised the nut and fitting for strength and durability without compromising aesthetics or quality.

- Hexagonal surfaces for firm mechanical grip
- No sharp external edges for a comfortable hand grip
- Fitting thickened for strength where it counts
- High grade engineering material developed for enhanced impact resistance, to ensure strong barbs and hard teeth.

Our commitment to quality



Pipe & fitting system under no load.

Pipe and fitting under high load (see massive elongation of pipe)

Independent testing was carried out to prove that the fittings would suit a wide range of pipe in service. Each fitting size was subjected to the following tests at 20°C:

- Resistance to pull-out of assembled joints
- Internal pressure test on assembled joints
- Resistance to leaking when subject to bending

This test was conducted on RXP LD, EnduroFlex™, Alkathene™ and Rural B-Class Australian pipe. Also suitable for a wider range of flexible pipe and hoses.

The fittings were also tested and meet the requirements for potable water applications to AS/NZS 4020.

RXP LDPE Pipe Data			
Size		Working Pressure	
Nominal Bore (mm)	Internal Diameter (mm)	PSI	kPa
15	12.2	140	970
20	18.55	130	900
25	24.9	115	800
32	31.2	84	650
40	37.55	87	600
50	50.25	72	500

LOW DENSITY PIPE FITTING CODES

ORDER FORM

Simply drop this form into your local RXP stockist.

Product Code	Primary Fitting	Secondary Fitting	Product Description	Qty
LDSC15	15	15	15mm Straight Coupling	
LDMC15	15	½	15mm x ½" BSP Male Coupling	
LDFC15	15	½	15mm x ½" BSP Female Coupling	
LDRMC1520	15	¾	15mm x ¾" BSP Reducing Male Coupling	
LDT15	15	15	15mm Tee	
LDRT1520	15	20	15mm x 20mm Reducing Tee	
LDMT1520	15	¾	15mm x ¾" BSP Male Tee	
LDFT15	15	½	15mm x ½" BSP Female Tee	
LDB15	15	15	15mm Bend	
LDMB15	15	½	15mm x ½" BSP Male Bend	
LDLB15	15	½	15mm x ½" BSP Female Bend	
LDLMB15	15	½	15mm x ½" BSP Long Male Bend	
LDRMB1520	15	¾	15mm x ¾" BSP Reducing Male Bend	
LDRFB1520	15	¾	15mm x ¾" BSP Reducing Female Bend	
LDLRMB1520	15	¾	15mm x ¾" BSP Long Reducing Male Bend	
LDBE15	15	½	15mm x ½" BSP Bracket Elbow	
LDBE1520	15	¾	15mm x ¾" BSP Reducing Bracket Elbow	
LDSC20	20	20	20mm Straight Coupling	
LDRC2015	20	15	20mm x 15mm Reducing Coupling	
LDMC20	20	¾	20mm x ¾" BSP Male Coupling	
LDFC20	20	¾	20mm x ¾" BSP Female Coupling	
LDRMC2015	20	½	20mm x ½" BSP Reducing Male Coupling	
LDRMC2025	20	1	20mm x 1" BSP Reducing Male Coupling	
LDRFC2015	20	½	20mm x ½" BSP Reducing Female Coupling	
LDT20	20	20	20mm Tee	
LDRT2015	20	15	20mm x 15mm Reducing Tee	
LDRT2025	20	25	20mm x 25mm Reducing Tee	
LDMT2020	20	¾	20mm x ¾" BSP Male Tee	
LDFT20	20	¾	20mm x ¾" BSP Female Tee	
LDB20	20	20	20mm Bend	
LDMB20	20	¾	20mm x ¾" BSP Male Bend	
LDLB20	20	¾	20mm x ¾" BSP Female Bend	
LDLMB20	20	¾	20mm x ¾" BSP Long Male Bend	
LDRMB2015	20	½	20mm x ½" BSP Reducing Male Bend	
LDRMB2025	20	1	20mm x 1" BSP Reducing Male Bend	
LDRFB2015	20	½	20mm x ½" BSP Reducing Female Bend	
LDRFB2025	20	1	20mm x 1" BSP Reducing Female Bend	
LDLRMB2015	20	½	20mm x ½" BSP Long Reducing Male Bend	
LDLRMB2025	20	1	20mm x 1" BSP Long Reducing Male Bend	
LDBE20	20	¾	20mm x ¾" BSP Bracket Elbow	
LDBE2015	20	½	20mm x ½" BSP Reducing Bracket Elbow	
LDSC25	25	25	25mm Straight Coupling	
LDRC2515	25	15	25mm x 15mm Reducing Coupling	
LDRC2520	25	20	25mm x 20mm Reducing Coupling	
LDMC25	25	1	25mm x 1" BSP Male Coupling	
LDFC25	25	1	25mm x 1" BSP Female Coupling	
LDRMC2515	25	½	25mm x ½" BSP Reducing Male Coupling	
LDRMC2520	25	¾	25mm x ¾" BSP Reducing Male Coupling	
LDRFC2520	25	¾	25mm x ¾" BSP Reducing Female Coupling	
LDT25	25	25	25mm Tee	
LDRT2515	25	15	25mm x 15mm Reducing Tee	
LDRT2520	25	20	25mm x 20mm Reducing Tee	
LDFT25	25	1	25mm x 1" BSP Female Tee	
LDB25	25	25	25mm Bend	
LDMB25	25	1	25mm x 1" BSP Male Bend	

Product Code	Primary Fitting	Secondary Fitting	Product Description	Qty
LDFB25	25	1	25mm x 1" BSP Female Bend	
LDLMB25	25	1	25mm x 1" BSP Long Male Bend	
LDRMB2520	25	¾	25mm x ¾" BSP Reducing Male Bend	
LDRFB2520	25	¾	25mm x ¾" BSP Reducing Female Bend	
LDRFB2532	25	1 ¼	25mm x 1 ¼" BSP Reducing Female Bend	
LDLRMB2520	25	¾	25mm x ¾" BSP Long Reducing Male Bend	
LDSC32	32	32	32mm Straight Coupling	
LDRC3220	32	20	32mm x 20mm Reducing Coupling	
LDRC3225	32	25	32mm x 25mm Reducing Coupling	
LDMC32	32	1 ¼	32mm x 1 ¼" BSP Male Coupling	
LDFC32	32	1 ¼	32mm x 1 ¼" BSP Female Coupling	
LDRMC3220	32	¾	32mm x ¾" BSP Reducing Male Coupling	
LDRMC3225	32	1	32mm x 1" BSP Reducing Male Coupling	
LDRFC3225	32	1	32mm x 1" BSP Reducing Female Coupling	
LDT32	32	32	32mm Tee	
LDRT3220	32	20	32mm x 20mm Reducing Tee	
LDRT3225	32	25	32mm x 25mm Reducing Tee	
LDFT32	32	1 ¼	32mm x 1 ¼" BSP Female Tee	
LDB32	32	32	32mm Bend	
LDMB32	32	1 ¼	32mm x 1 ¼" BSP Male Bend	
LDFB32	32	1 ¼	32mm x 1 ¼" BSP Female Bend	
LDRFB3225	32	1	32mm x 1" BSP Reducing Female Bend	
LDRFB3240	32	1 ½	32mm x 1 ½" BSP Reducing Female Bend	
LDSC40	40	40	40mm Straight Coupling	
LDRC4025	40	25	40mm x 25mm Reducing Coupling	
LDRC4032	40	32	40mm x 32mm Reducing Coupling	
LDMC40	40	1 ½	40mm x 1 ½" BSP Male Coupling	
LDFC40	40	1 ½	40mm x 1 ½" BSP Female Coupling	
LDRFC4032	40	1 ¼	40mm x 1 ¼" BSP Reducing Female Coupling	
LDT40	40	40	40mm Tee	
LDRT4025	40	25	40mm x 25mm Reducing Tee	
LDRT4032	40	32	40mm x 32mm Reducing Tee	
LDFT40	40	1 ½	40mm x 1 ½" BSP Female Tee	
LDB40	40	40	40mm Bend	
LDMB40	40	1 ½	40mm x 1 ½" BSP Male Bend	
LDFB40	40	1 ½	40mm x 1 ½" BSP Female Bend	
LDRFB4032	40	1 ¼	40mm x 1 ¼" BSP Reducing Female Bend	
LDRFB4050	40	2	40mm x 2" BSP Reducing Female Bend	
LDSC45	45	45	45mm Straight Coupling	
LDRC4540	45	40	45mm x 40mm Reducing Coupling	
LDMC4550	45	2	45mm x 2" BSP Male Coupling	
LDSC50	50	50	50mm Straight Coupling	
LDRC5040	50	40	50mm x 40mm Reducing Coupling	
LDMC50	50	2	50mm x 2" BSP Male Coupling	
LDFC50	50	2	50mm x 2" BSP Female Coupling	
LDRFC5040	50	1 ½	50mm x 1 ½" BSP Reducing Female Coupling	
LDT50	50	50	50mm Tee	
LDRT5032	50	32	50mm x 32mm Reducing Tee	
LDRT5040	50	40	50mm x 40mm Reducing Tee	
LDFT50	50	2	50mm x 2" BSP Female Tee	
LDB50	50	50	50mm Bend	
LDMB50	50	2	50mm x 2" BSP Male Bend	
LDFB50	50	2	50mm x 2" BSP Female Bend	
LDRFB5040	50	1 ½	50mm x 1 ½" BSP Reducing Female Bend	

'Primary' refers to the nominal bore of polyethylene pipe (mm) to NZS 7601:1978 in all cases

'Secondary' varies by product type and refers to either the pipe nominal bore (mm) or BSP thread size (")



To order freephone 0800 288 558 or visit www.rxp.co.nz

MULTI PURPOSE PIPE FITTINGS

Philmac's LDPE Pipe Fittings are suitable for a wide range of applications for rural, commercial and domestic use.



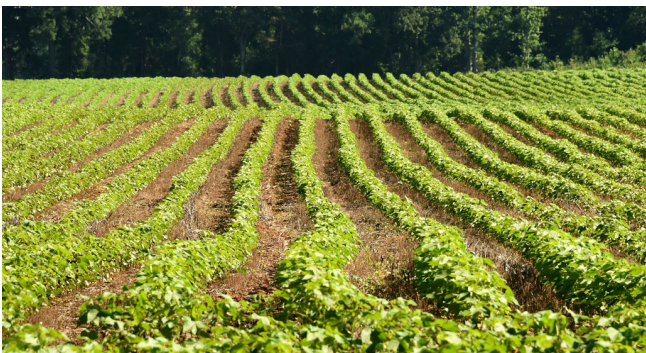
Rural Irrigation



Stock Water



Domestic Irrigation



Crop Irrigation

Application

Suitability*

Anti Bloating Agent	✓
Antifreeze	✓
Automotive Fuel	✓
Automotive Lubricants	✓
Bleach	✗
Brake Fluid	✗
Chlorinated Pool Water	✗
Citric Acid 10%	✓
Copper SulDate 10%	✓
Detergents	✓
Effluent	✓
Fruit Juices	✓
Grease & Oils	✓
Hydraulic Fluids	✓
Milk	✓
Most Acids	✗
Most Solvents	✓
Oxidising Agents	✗
Potable Water	✓
Sea Water	✓

* Suitability is based on general chemical resistance information. Temperature, pressure and concentration can affect fitting performance. Contact us for compatibility with applications other than potable water.



Horticulture



Viticulture