

PRODUCT CATALOGUE 2024



by **alixis**

EXPERT WATER SOLUTIONS

We deliver smart rural water management solutions. With quality products, backed by an expert team, we can solve any water challenge on a farm or lifestyle block.



ABOUT US

RXP

For over 50 years, RXP has provided rural water expertise for New Zealand and global rural markets. RXP manufacture and distribute a wide range of products including PVC-U and polyethylene pipe, fittings, rotational moulded tanks and troughs, and irrigation and effluent dispersion products. Our services extend to the design of irrigation and stockwater systems and custom tanks. With over 100 staff nationwide, manufacturing and distribution sites in both the North and South Islands, we can help with all your rural water requirements.

Aliaxis Group

RXP is part of the Aliaxis Group based in Belgium, with companies in over 40 countries worldwide. Aliaxis is a global leader in the manufacturing and distribution of advanced piping systems. By sharing our knowledge across the group we are able to provide sustainable innovative solutions for water and energy reduction. Best summed up as “Growth with Purpose.”

Health and Safety

Our goal is to provide an incident-free workplace and we take this seriously. We expect all our people, including contractors, visitors and those sharing roads with our vehicles, to return home safely to their families.

Environment

We are focused on reducing waste, water and energy use, and increasing our efforts to develop innovative products and processes. Sustainability is core to who we are and what we do. All our PVC-U and PE products are 100% recyclable. We are an accredited ISO14001 company and actively look at ways to reduce, reuse and recycle both raw material and product in our manufacturing process. We are involved in a \$12.5 million project to recycle plastic waste and have over 30 collection sites nationwide.

Quality

As an accredited ISO9001 company you can be assured all RXP products are manufactured to the highest quality and made for New Zealand conditions. RXP are the only manufacturing company in New Zealand providing products for the storage, transportation, and application of water. Our technical team develop practical solutions based on our working knowledge of how each part works together and what our customers' needs are.



CONTENTS

About Us	1	Freight, Delivery & Order Policy	4
----------	---	----------------------------------	---

PIPE

Polythene Pipe	6	PVC-U Pressure Pipe	19
PE Technical Data	6	PVC-U Technical Data	19
Lateral Polythene Pipe	8	800 Series PVC-U Pressure Pipe	19
Pot Dripper and Sprinkler Tube	8		
Low Density Polythene Pipe	9	Drain Waste and Vent	22
K.Pipe Polythene Pipe	10	100 Series PVC-U DWV Pipe	22
Effluent Pipe	11		
MDID Black Polythene Pipe	11	Stormwater and Culvert	23
Medium Density Oasis™ Polythene Pipe	12	700 Series PVC-U Storm Water Pipe	23
Pipe Tools and Accessories	14	550 Series PVC-U Culvert Pipe	23
MDOD Blue Polythene Pipe	15		
MDOD Cream Striped Polythene Pipe	15	PVC-U Electrical Duct	24
PE Electrical & Telecommunication Duct	15	2700 Series PVC-U Electrical Duct	24
Drainflo®	16		
Drainflo® & Drainflo® HD	17		
Drainflo® Smooth & Drainflo® Smooth HD	18		
Drainflo® Fittings	18		

FITTINGS, VALVES & CAMLOCKS

Compression Fittings	25	Valves and Gauges	63
Compression Tapping Saddles	28	Pressure Valves	63
		Plastic Valves	64
BSP Threaded Fittings	29	Brass Gate Valves & Taps	65
Polyprop Risers	37	Metal Ball Valves	66
		Pressure Gauges and Brass Valves	67
Metric Compression Fittings	40	Bibcocks and Mini Ball Valves	68
Metric Tapping Saddles	46		
		Camlocks, Hose Clips and Clamps	69
Low Density Fittings	47	Agricultural (AG) Camlocks	69
		General Purpose (GP) Camlocks	70
Trough & Tank Valves	52	Polyprop (PP) Camlocks	72
Acetal Float Valves	52	Stainless Steel W3 Band Hose Clips	74
Brass Trough Valves	53	S/S W2 Band Heavy Duty Hose Clamps	75
Spare Parts	54		
Ball Floats and Nipples	55		
Technical Data	56		
Irrigation Fittings and Sprinklers	57		
Sprinklers	61		
Filtration	61		

TANKS AND TROUGHS

Tanks and Troughs	76	Tank Fittings - Tank Overflow Kit	82
MAX™ Tanks - 10,000-30,000 Litres	77	Tank Fittings - Tank Connection Kit	82
Water Tanks - 500-7,500 Litres	78	Tank Fittings - Firefighting	82
Colostrum, Foamed and Molasses Tanks	79	Tank Fittings - Tank Vents & Filter Baskets	83
Metro Tanks	79	Tank Fittings - Water Level Indicator	83
Tank Accessories - Molasses Kit & Tank Lids	80	Super Troughs	84
Tank Fittings - Water Inlet System	80	Standard Troughs	84
Tank Fittings - Water Outlet System	81	Nura / Header Tanks	85

SEPTIC TANKS

Septic Tank Range	86	Pump Chambers with Alarm & Pump	88
Environmental Septic Tank Range	86	AirTech® Wastewater Treatment System	89
Environmental Pump Chambers	87		

IRRIGATION

K-Line® Systems	90	Nelson Sprinklers and Regulators	104
K-Line® Packs	91	Senninger Sprinklers	105
Standard Pod Options	92	Miscellaneous Tools and Parts	106
Mid Pod Options	94	Weeping Walls and Pond Filter	106
Max Pod Options	96	K-Line® Connection Information	107
Max ⁷⁰ Irrigation for 2ha	97	G-Set® - Solid Set Irrigation	109
Spare Pods	98	Water-Insight Controllers	113
K-Line® Tapping Saddle and Adaptor Packs	98	Sprinklers - Technical Information	114-117
K-Line® Fittings	100		
Tapping Saddles and U-Bolts	101		
Adaptors and Stock Guards	102		
Tow and Hook Caps	103		
Naan Sprinklers	103		

INDUSTRIAL

Industrial Range	119	Segregation Bins	121
Industrial Bins	119	Tubs	122
Fishing/Pumping and Safety	120	Hopper and Chamber Pits	122
Barrels and Casks	120	Chemical Tanks	123
Tanks and Bins	121	Wine Tanks	123

Terms and Conditions of Supply	124
--------------------------------	-----

RXP Freight, Delivery and Order Policy

Small Order/ Freight Surcharges

Orders < \$100 (for *fittings only* orders):

- A “Surcharge” will be incurred on all fittings only Customer Purchase Orders (CPO) with an invoice value of \$100 or less (excluding GST).
- The “Surcharge” of \$10.00 (plus GST) will be invoiced at the time the first *fittings items* on the CPO are supplied.
- The CPO is defined as all product ordered on a single CPO number on a single day.
- Fittings only orders >\$100 will not attract a surcharge.
- An additional charge of \$10 will be applied to all Urgent, Rural delivery or Saturday delivery Orders. (Delivery service not guaranteed)

Orders < \$500 (for *non-fittings orders* and *combined non-fittings/fittings orders*)

- A “small order surcharge” will be incurred on all *non-fittings* and *combined non-fittings/fittings* Customer Purchase Orders (CPO) with an invoice value of \$500 or less (excluding GST).
- A “small order surcharge” of \$30.00 (plus GST) will be invoiced at the time the first *non-fittings items* on the CPO are supplied.
- The CPO is defined as all product ordered on a single CPO number on a single day.
- If the CPO only includes fittings items then the “small order surcharge” does not apply.

On-Site Freight Delivery Charges

All on-site delivery charges will be applied if an individual delivery’s order value is less than \$4,500 (excluding GST). The nominated site for delivery of items must have suitable safe hard roading to allow our nominated carrier to effect delivery. Should safe delivery not be possible through failure of the Buyer to comply with this provision any additional expenses incurred by the Company (RXP) in effecting delivery shall be paid by the Buyer. For the avoidance of doubt “On-site” means any other delivery address other than your store’s physical address.

The associated charge for on-site delivery is \$200 + GST per delivery.

This charge is applicable to all on-site deliveries of pipe lengths /crates, tanks <15000 litre, and/or coils where the order value of that delivery is less than \$4,500 (excluding GST), including drawdowns from contract quotations.

NB: Max Tanks (15,000 to 30,000L) are excluded from this charge and are freight free to site.

On-Site and At-Store Freight Unloading Charges

A charge to unload product for deliveries will be applied if no other safe means of unloading is available or provided by the consignee.

NB: If consignee is unable to off load then a request for Hiab should be made at time of order placement.

On-Site and At-Store Unloading charge (Hiab)

Truck Unloading:	(Municipal areas)	\$250.00 +GST
	(Rural) – Only available on orders > \$10k	\$250.00 +GST
	(Over Dimensional)	POA
	Multiple drops (additional per drop)	\$250.00 +GST

This freight unloading charge is applicable to all on-site or at-store deliveries and is additional to any applicable on-site freight delivery charge, including any drawdowns from contract quotations.

Restocking of Returned Goods

Goods returned are required to be in 'as new' condition and fit for re-sell. Product must also be <3months old from time of purchase. The return of goods to RXP is ultimately at the sole discretion of RXP and requires approval from your sales representative. Our Returned Materials Authorisation (RMA) process is the only acceptable method for authorised returns and will assist with the timely processing of any due credits.

All approved product returns will attract a restocking fee. The restocking fee will be the greater of 15% of the sales invoice value of the goods or a minimum charge of \$20.00 (plus GST). Any cost of freight to return goods is in addition to the restocking fee.

Damaged / Missing Goods

It is important that goods are inspected by the Buyer for damage upon acceptance of delivery. In the case of on farm or site delivery, the Buyer will arrange inspection at time of delivery. We will replace any damaged goods or missing items if you are able to supply proof of delivery (POD) signed with a notation that the goods were damaged at time of delivery or box/ctn numbers were not correct. If the discrepancy is not noted on the POD at the time of delivery, then RXP will not be liable to replace any damaged/missing goods at no charge.

NB. RXP must be advised within 7 days of any freight issues.

Over Dimensional (OD) deliveries

Off loading of an over dimensional item will need to be quoted, as it will be dependent on item and location. Delivery times for Hiab and over dimensional deliveries are dependent on truck availability and may take up to 3 additional days for delivery. Not all sites and locations will have this service but can be confirmed at time of order.

Definition over dimensional

- Polyethylene coils with a pipe diameter of 90mm or greater
- Polyethylene straight lengths greater than 6m in length
- Non-Pipe items greater than 4 cubic meter

Customer Collections

- Standard collection times are Monday to Friday between 9am and 3pm.
- A minimum of 1 hour is required between receiving the Order Confirmation from RXP and coming to collect at RXP sites. NB. Person collecting must bring a copy of the Sales Order Number (found on order confirmation) when coming to collect.
- RXP is committed to the Health and Safety of our staff and customers and reserves the right to refuse loading of any vehicle that we deem a Health and Safety hazard. Any costs incurred due to the non-loading of items is borne by the Buyer. A full copy of H&S protocols can be obtained from Customer Services.

Important Note

Special Pricing and Quotes: quotes@rxplastics.co.nz

Orders and General Enquiries: customerservice@rxplastics.co.nz 0800 288 558

All prices are subject to change without notice. Pricing excludes GST.

Whilst we have done all we can to ensure that the prices are correct at the time of print, we reserve the right to change our prices at anytime without further notice.

Product images are for illustrative purposes only and may differ from the actual product.

POLYTHENE PIPE

Technical Data

Conversions	kPa	psi	mH ₂ O
1 bar	100	14.5	10.20
1 psi	6.9	-	-

Lateral Dimensions and Pressure Ratings

Nominal Bore	Average Outside Diameter (mm)	Average Wall Thickness (mm)	Max Working Pressure		Average Internal Diameter (mm)
			psi	kPa	
15mm	15.30	1.15	72	500	13.00
16mm	18.60	1.30	72	500	16.00
19mm	22.00	1.50	72	500	19.00
25mm	28.70	1.85	72	500	25.00

Low Density Dimensions and Pressure Ratings

Nominal Bore	Average Outside Diameter (mm)	Average Wall Thickness (mm)	Max Working Pressure		Average Internal Diameter (mm)
			psi	kPa	
15mm	17.10	2.45	140	970	12.20
20mm	25.15	3.30	130	900	18.55
25mm	31.50	3.30	115	800	24.90
32mm	37.75	3.30	94	650	31.20
40mm	44.15	3.30	87	600	37.55
45mm	50.25	3.30	80	550	43.65
50mm	56.85	3.30	72	500	50.25

K.Pipe Dimensions and Pressure Ratings

Nominal Bore	Average Outside Diameter (mm)	Average Wall Thickness (mm)	Max Working Pressure		Average Internal Diameter (mm)
			psi	kPa	
32mm	37.75	3.30	94	650	31.20
40mm	44.15	3.30	87	600	37.55
45mm	50.25	3.30	80	550	43.55
63mm	63.30	4.00	72	500	55.20

MDID Dimensions and Pressure Ratings

PN12

Nominal Bore	Average Outside Diameter (mm)	Average Wall Thickness (mm)	Max Working Pressure PN (Bar)	Average Internal Diameter (mm)
15mm	17.50	1.75	12 Bar	13.80
20mm	25.15	2.45	12 Bar	20.25
25mm	31.50	3.10	12 Bar	25.30
32mm	37.75	3.65	12 Bar	30.45
40mm	44.15	4.25	12 Bar	35.65
50mm	60.40	5.75	12 Bar	48.90

*Average = mean distribution of manufacturing tolerances and is provided as a guide only.

POLYTHENE PIPE

MDEF Effluent Pipe Dimensions and Pressure Ratings

Code Nominal Bore	Average Outside Diameter (mm)	Average Wall Thickness (mm)	Max Working Pressure		Average Internal Diameter (mm)
			psi	kPa	
MDEF 57mm	57.30	3.50	116	800	50.30
MDEF 63mm	63.30	4.05	116	800	55.20
MDEF 75mm	75.35	4.80	116	800	65.75
MDEF 90mm	90.45	5.75	116	800	78.95
PE100 75mm	75.35	4.80	145	1000	65.75
PE100 90mm	90.45	5.75	145	1000	78.95
PE100 110mm	110.50	7.00	145	1000	96.50

Oasis Pipe Systems

MDPE Oasis Range - Code 300.xxx.ppp.len e.g. 300.32.9.100 is 300 series, 32mm, PN9 and 100m.

Standard Dimension Ratios (SDRs) for SERIES 1 Pipes

Compound	PN 6.3	PN 8	PN 9	PN 10	PN 12.5	PN 16	PN 20
PE80	21 #	17		13.6	11	9	7.4
PE100		21	19	17	13.6	11	9

#Highlighted cells above = Products produced as standard in Oasis Pipe systems.

Medium Density Dimensions and Pressure Ratings - PE80/100

Size External Dimensions	Average OD (mm)	SDR 21		SDR 19		SDR 17	
		Average Wall Thickness (mm)	ID (mm)	Average Wall Thickness (mm)	ID (mm)	Average Wall Thickness (mm)	ID (mm)
20mm	20.15						
25mm	25.15			1.75	21.65	1.75	21.65
32mm	32.15	1.75 #	28.65	1.90	28.35	2.05	28.05
40mm	40.20	2.05	36.10	2.32	35.50	2.50	35.00
50mm	50.25	2.60	45.05	2.90	44.45	3.20	43.85
63mm	63.30	3.25	56.90	3.82	56.05	4.05	55.20
75mm	75.35	3.65	67.65	4.32	66.70	4.80	65.75
90mm	90.45	4.37	81.25	5.17	80.10	5.75	78.95
110mm	110.50			7.00	97.85	7.00	96.50

Size External Dimensions	Average OD (mm)	SDR 13.6		SDR 11		SDR 9		SDR 7.4	
		Average Wall Thickness (mm)	ID (mm)	Average Wall Thickness (mm)	ID (mm)	Average Wall Thickness (mm)	ID (mm)	Average Wall Thickness (mm)	ID (mm)
20mm	20.10	1.75	16.65	2.05	16.05	2.50	15.15	3.00	14.15
25mm	25.20	2.05	21.05	2.50	20.15	3.00	19.15	3.75	17.65
32mm	32.20	2.60	26.95	3.10	25.95	3.85	24.45	4.70	22.75
40mm	40.20	3.20	33.80	3.95	32.30	4.80	30.60	5.85	28.50
50mm	50.20	3.95	42.35	4.90	40.45	5.95	38.35	7.30	35.65
63mm	60.30	5.00	53.30	6.15	51.00	7.55	48.20	9.10	45.10
75mm	75.30	5.60	63.65	7.20	60.95	8.90	57.55	10.90	53.55
90mm	90.14	7.00	76.45	8.70	73.05	10.70	69.05	13.00	64.46
110mm	110.50	8.60	93.30	10.50	89.40	13.00	84.50	15.95	78.60

#Highlighted cells above = Products produced as standard in Oasis Pipe systems.

*Average = mean distribution of manufacturing tolerances and is provided as a guide only.

POLYTHENE PIPE

Lateral Polythene Pipe

RXP Code	Average Nominal Bore (ID) (mm)	Average Outside Diameter (mm)	Coil Sizes (metres)	Pressure Rating kPa / psi
LAT13.050	13mm	15.3mm	50m	500/72
LAT13.100	13mm	15.3mm	100m	500/72
LAT13.200	13mm	15.3mm	200m	500/72
LAT13.300	13mm	15.3mm	300m	500/72
LAT13.400	13mm	15.3mm	400m	500/72
<hr/>				
LAT16.050	16mm	18.6mm	50m	500/72
LAT16.100	16mm	18.6mm	100m	500/72
LAT16.200	16mm	18.6mm	200m	500/72
LAT16.300	16mm	18.6mm	300m	500/72
<hr/>				
LAT19.050	19mm	22mm	50m	500/72
LAT19.100	19mm	22mm	100m	500/72
LAT19.200	19mm	22mm	200m	500/72
LAT19.300	19mm	22mm	300m	500/72
<hr/>				
LAT25.050	25mm	28.7mm	50m	500/72
LAT25.100	25mm	28.7mm	100m	500/72
LAT25.200	25mm	28.7mm	200m	500/72
<hr/>				
RXGT25.050	24.9mm	28.7mm	50m	500/72
RXGT25.060	24.9mm	28.7mm	60m	500/72
RXGT25.070	24.9mm	28.7mm	70m	500/72

Special prices may be give on larger quantities over 10,000 metres of individual pipe size groups. Pipe available in special lengths on request.

Pot Dripper and Sprinkler Tube

RXP Code	Description	(ID) (mm)	(OD) (mm)
POTD.3MM.050	3mm ID wall x 50 metres coil Pot dripper tube PVC	3mm	5mm
PT9/13.100	9mm ID wall x 100 metres coil Sprinkler Tube PE	9mm	13mm
PVC4/7.050	PVC 4/7.050 metres - Sprinkler Tube PVC	4mm	7mm
PVC4/7.200B	PVC 4/7.200mm complete with connector barb	4mm	7mm
PVC4/7.600B	PVC 4/7.600mm complete with connector barb	4mm	7mm
PVC4/7.600NB	PVC 4/7.600mm without connector barb	4mm	7mm
PVC7/10.050	PVC7/10.050 metres - Sprinkler Tube PVC	7mm	10mm



POLYTHENE PIPE

Low Density Polythene Pipe

- Higher pressure rating than New Zealand standard.
- Tough and durable.
- Thick wall to avoid “kinking”.
- Numbered metre markings on pipe for easy installation.
- Fits RXP Compression fittings 32mm to 40mm (½” to 1½”).
- Fits RXP Low Density fittings 15mm to 50mm (½” to 2”).
- Easy to work with and user friendly.

RXP Code	Nominal Bore	Pressure Rating (Maximum Working Pressure)
LD15.025	15mm	970 kPa / 140psi
LD15.050	15mm	970 kPa / 140psi
LD15.100	15mm	970 kPa / 140psi
LD15.200	15mm	970 kPa / 140psi
LD20.025	20mm	900 kPa / 130psi
LD20.050	20mm	900 kPa / 130psi
LD20.100	20mm	900 kPa / 130psi
LD20.200	20mm	900 kPa / 130psi
LD25.025	25mm	800 kPa / 115psi
LD25.050	25mm	800 kPa / 115psi
LD25.100	25mm	800 kPa / 115psi
LD25.200	25mm	800 kPa / 115psi
LD32.025	32mm	650 kPa / 94psi
LD32.050	32mm	650 kPa / 94psi
LD32.100	32mm	650 kPa / 94psi
LD32.200	32mm	650 kPa / 94psi
LD40.050	40mm	600 kPa / 87psi
LD40.100	40mm	600 kPa / 87psi
LD40.200	40mm	600 kPa / 87psi
LD50.050	50mm	500 kPa / 72psi
LD50.100	50mm	500 kPa / 72psi
LD50.200	50mm	500 kPa / 72psi
6 metre lengths (10 per bundle)		
LD20.006.10	20mm	900 kPa / 130psi



POLYTHENE PIPE

K.Pipe Low Density Polythene Pipe

- Designed specifically for K-Line® Irrigation.
- Tough and durable for vigorous shifting of K-Line®.
- Not about pressure rating but about performance.
- 1 metre spacings on pipe for easy installation.
- Fits specialist RXP K-Pipe fittings 32mm to 50mm (1 ¼" to 2").
- Fits RXP Low Density fittings 32mm to 50mm (1 ¼" to 2").
- AG camlocks used for 63mm K.Pipe connections.
- The three stripes helps to ensure pipe is not twisted before installation.
- Easy to work with and user friendly.

RXP Code	Nominal Bore	Pressure Rating (Maximum Working Pressure)
K.PIPE32.100	32mm	650 kPa / 94psi
K.PIPE32.200	32mm	650 kPa / 94psi
K.PIPE40.100	40mm	600 kPa / 87psi
K.PIPE40.200	40mm	600 kPa / 87psi
K.PIPE45.100	45mm	550 kPa / 80psi
K.PIPE63.100	63mm	500 kPa / 72psi
K.PIPE63.040C	63mm	500 kPa / 72psi
K.PIPE63.050C	63mm	500 kPa / 72psi
K.PIPE63.100C	63mm	500 kPa / 72psi

Camlocks are AGE5163 and AGC5163



POLYTHENE PIPE

Effluent Pipe

- Designed specifically for effluent use.
- Suitable for AG camlocks used for 50, 63, 75 & 90mm connections.
- Easy to work with and user friendly.
- SDR 17 PE80

RXP Code	Nominal Bore	Pressure Rating (Maximum Working Pressure)
MDEF57.100	57mm	800 kPa / 116psi
MDEF63.100	63mm	800 kPa / 116psi
MDEF75.100	75mm	800 kPa / 116psi
MDEF90.100	90mm	800 kPa / 116psi



MDID Black Density Polythene Pipe

- Superior flow over low density.
- 15-50mm MDID - design safety factor to the same as AS/NZS 4130 (metric).
- Equivalent to Imperial High Density Pipe.
- Consistent pressure ratings over sizes.
- MDID is suitable for use with bloat remedies.
- Pipe manufactured to RXP company standards.
- Scratch resistant.
- Suitable for RXP compression fittings and tapping saddles.
- Pressure ratings stipulated are recommended maximum working pressure at 20°C.
- Measured as nominal bore (internal diameter measurements).
- Special prices may be given on larger quantities over 2000 metres of individual pipe size groups.

RXP Code	Size Nominal Bore	Pressure Rating (Maximum Working Pressure)
MDID BLACK CLASS D - 12 Bar - 174psi (SDR11)		
MDID15*12B	15mm	12 Bar
MDID20*12B	20mm	12 Bar
MDID25*12B	25mm	12 Bar
MDID32*12B	32mm	12 Bar
MDID40*12B	40mm	12 Bar
MDID50*12B	50mm	12 Bar



Some coils available in 50m lengths.

POLYTHENE PIPE

Medium Density Oasis™ Polythene Pipe

- Manufactured dimensionally to AS/NZS 4130.
- Made from tough medium density polyethylene.
- Suitable for use with bloat remedies.
- Pressure ratings stipulated are recommended maximum working pressure at 20°C.
- Maintains a consistent pressure rating across a range of pipe diameters.
- Lightweight, flexible and strong, withstanding tough rural pipe laying.
- Clear identification on all coils.
- UV stable.
- Suitable for a wide range of fittings - metric fittings, electrofusion and camlocks.
- Special pricing may be given on larger quantities over 2000 metres of individual pipe size groups.

RXP Code	Size External Dimension/pressure rating/ length	Pressure Rating (Maximum Working Pressure)
Oasis PE80 - 6.3Bar - 91psi (SDR21)		
300.32.6.100	32MM 6.3 BAR X 100M	6.3 Bar
300.32.6.200	32MM 6.3 BAR X 200M	6.3 Bar
300.40.6.50	40MM 6.3 BAR X 50M	6.3 Bar
300.40.6.100	40MM 6.3 BAR X 100M	6.3 Bar
300.40.6.200	40MM 6.3 BAR X 200M	6.3 Bar
300.50.6.50	50MM 6.3 BAR X 50M	6.3 Bar
300.50.6.100	50MM 6.3 BAR X 100M	6.3 Bar
300.50.6.200	50MM 6.3 BAR X 200M	6.3 Bar
300.63.6.50	63MM 6.3 BAR X 50M	6.3 Bar
300.63.6.100	63MM 6.3 BAR X 100M	6.3 Bar
300.63.6.200	63MM 6.3 BAR X 200M	6.3 Bar
300.75.6.100	75MM 6.3 BAR X 100M	6.3 Bar



RXP Code	Size External Dimension/pressure rating/ length	Pressure Rating (Maximum Working Pressure)
Oasis PE100 -9Bar - 130psi (SDR19)		
300.25.9.50	25MM 9 BAR x 50M	9 Bar
300.25.9.100	25MM 9 BAR x 100M	9 Bar
300.25.9.200	25MM 9 BAR x 200M	9 Bar
300.32.9.50	32MM 9 BAR X 50M	9 Bar
300.32.9.100	32MM 9 BAR X 100M	9 Bar
300.32.9.200	32MM 9 BAR X 200M	9 Bar
300.40.9.50	40MM 9 BAR X 50M	9 Bar
300.40.9.100	40MM 9 BAR X 100M	9 Bar
300.40.9.200	40MM 9 BAR X 200M	9 Bar
300.50.9.50	50MM 9 BAR X 50M	9 Bar
300.50.9.100	50MM 9 BAR X 100M	9 Bar
300.50.9.200	50MM 9 BAR X 200M	9 Bar
300.63.9.50	63MM 9 BAR X 50M	9 Bar
300.63.9.100	63MM 9 BAR X 100M	9 Bar
300.63.9.200	63MM 9 BAR X 200M	9 Bar
300.75.9.100	75MM 9 BAR X 100M	9 Bar



POLYTHENE PIPE

Medium Density Oasis™ Polythene Pipe

- Manufactured to AS/NZS 4130. Black.
- Pressure ratings stipulated are recommended maximum working pressure at 20°C.
- PE100 pipe is suitable for use with bloat remedies.
- Suitable for a wide range of fittings - Metric fittings and Electrofusion.
- Special pricing may be given on larger quantities over 2000 metres of individual pipe size groups.

RXP Code	Size External Dimension	Pressure Rating (Maximum Working Pressure)
Oasis PE100 - 12Bar - 174psi (SDR13.6)		
300.25.12.50	25MM 12 BAR X 50M	12.5 Bar
300.25.12.100	25MM 12 BAR X 100M	12.5 Bar
300.25.12.200	25MM 12 BAR X 200M	12.5 Bar
300.32.12.50	32MM 12 BAR X 50M	12.5 Bar
300.32.12.100	32MM 12 BAR X 100M	12.5 Bar
300.32.12.200	32MM 12 BAR X 200M	12.5 Bar
300.40.12.50	40MM 12 BAR X 50M	12.5 Bar
300.40.12.100	40MM 12 BAR X 100M	12.5 Bar
300.40.12.200	40MM 12 BAR X 200M	12.5 Bar
300.50.12.50	50MM 12 BAR X 50M	12.5 Bar
300.50.12.100	50MM 12 BAR X 100M	12.5 Bar
300.50.12.200	50MM 12 BAR X 200M	12.5 Bar
300.63.12.50	63MM 12 BAR X 50M	12.5 Bar
300.63.12.100	63MM 12 BAR X 100M	12.5 Bar
300.63.12.200	63MM 12 BAR X 200M	12.5 Bar
300.75.12.100	75MM 12 BAR X 100M	12.5 Bar
300.90.12.100	90MM 12 BAR X 100M	12.5 Bar
300.110.12.100	110MM 12 BAR X 100M	12.5 Bar



32mm - 63mm coils stocked in 50m, 100m and 200m lengths.
75mm-110mm coils stocked in 50m and 100m lengths only.

POLYTHENE PIPE

Medium Density Oasis™ Polythene Pipe

- Manufactured to AS/NZS 4130. Black.
- Pressure ratings stipulated are recommended maximum working pressure at 20°C.
- PE100 Pipe is suitable for use with bloat remedies.
- Suitable for a wide range of fittings - Metric fittings and Electrofusion.
- Special pricing may be given on larger quantities over 2000 metres of individual pipe size groups.

_RXP Code	Size External Dimension	Pressure Rating (Maximum Working Pressure)
Oasis PE100 - 16Bar - 238psi (SDR11)		
300.25.16.100	25MM 16BAR X 100M	16 Bar
300.32.16.100	32MM 16 BAR X 100M	16 Bar
300.40.16.100	40MM 16 BAR X 100M	16 Bar
300.50.16.100	50MM 16 BAR X 100M	16 Bar
300.63.16.100	63MM 16 BAR X 100M	16 Bar
300.75.16.100	75MM 16 BAR X 100M	16 Bar
300.90.16.100	90MM 16 BAR X 100M	16 Bar
300.110.16.100	110MM 16 BAR X 100M	16 Bar



Pipe Tools and Accessories

_RXP Code	Description
Pipe Tools	
RXPC	Pipe Cutters - cuts pipe up to 50mm OD
PCT	Pipe Chamfering Tool - to fit pipe up to 63mm OD



POLYTHENE PIPE

MDOD Blue Polythene Pipe

- Manufactured dimensionally to AS/NZS 4130.
- Made from tough blue medium density polyethylene.
- Suitable for below ground use (Local Authority Water Mains).
- Pressure ratings stipulated are recommended maximum working pressure at 20°C.
- Special pricing may be given on larger quantities over 2000 metres of individual pipe size groups.

RXP Code	Size External Dimension	Pressure Rating (Maximum Working Pressure)
12.5 Bar - 174psi (SDR11)		
MDBL20*12B	20mm	12 Bar
MDBL25*12B	25mm	12 Bar
MDBL32*12B	32mm	12 Bar
MDBL40*12B	40mm	12 Bar
MDBL50*12B	50mm	12 Bar
MDBL63*12B	63mm	12 Bar
PE100BL.125*12B.012	125mm	12 Bar
PE100BL.180*12B.012	180mm	12 Bar



20mm - 50mm coils stocked in 25m, 50m, 100m and 200m lengths.
63mm coils stocked in 25m, 50m and 100m lengths.

MDOD Cream Striped Polythene Pipe

PE100CS.40*16B.025	40mm	16 Bar
PE100CS.40*16B.050	40mm	16 Bar
PE100CS.40*16B.100	40mm	16 Bar
PE100CS.50*16B.100	50mm	16 Bar
PE100CS.63*16B.100	63mm	16 Bar



75mm, 90mm, 110mm and 125mm available. POA (minimum order quantities apply)

PE Electrical Duct - Orange

MDED32*08B.100	32mm	8 Bar
MDED50*08B.100	50mm	8 Bar
MDED63*08B.100	63mm	8 Bar
MDED75*08B.100	75mm	8 Bar
MDED90*08B.100	90mm	8 Bar
PE100OJ.110*10B.100	110mm	8 Bar
PE100OJ.125.SDR17.100	125mm	8 Bar
PE100OJ.140*10B.100	140mm	8 Bar



PE Telecommunication Duct - Green

MDTD32*08B.100	32mm	8 Bar
MDTD50*08B.100	32mm	8 Bar
MDTD63*08B.100	63mm	8 Bar
MDTD75*08B.100	75mm	8 Bar
MDTD90*08B.100	90mm	8 Bar
MDTD110*08B.100	110mm	8 Bar
MDTD125*08B.100	125mm	8 Bar



Drainflo®

LOOKING AFTER YOUR LAND



Drainflo
Smooth

Drainflo
Smooth HD



Drainflo

Drainflo HD

Unpunched and filtersock options available across the range.

THE DRAINFLO® RANGE HAS ALL YOUR JOBS COVERED

High performing, flexible, crush resistant products that stand the test of time. Including Drainflo® Smooth with its refined double-walled smooth inner lining for outstanding water flow rates. Drainflo® Smooth is the high performing solution.

For improved soil health and surface quality, choose Drainflo® — 100% recyclable Polyethylene drainage.

rxplastics.co.nz



RANGE



DURABILITY



STRENGTH



FLOW



DRAINAGE



FILTRATION



NZ MADE

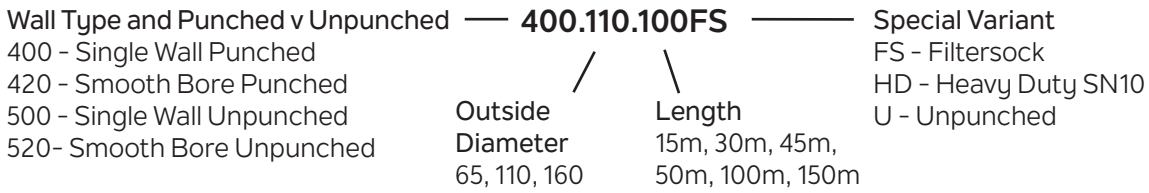


100% RECYCLABLE



by aliaxis

Drainflo® Code Structure



Drainflo®

RXP Code	Description
400.65.15	Drainflo 65mm x 15m
400.65.30	Drainflo 65mm x 30m
400.65.50	Drainflo 65mm x 50m
400.110.15	Drainflo 110mm x 15m
400.110.30	Drainflo 110mm x 30m
400.110.50	Drainflo 110mm x 50m
400.110.100	Drainflo 110mm x 100m
400.160.15	Drainflo 160mm x 15m
400.160.45	Drainflo 160mm x 45m
500.65.15U	Drainflo 65mm x 15m Unpunched
500.65.30U	Drainflo 65mm x 30m Unpunched
500.65.150U.O	Drainflo 65mm x 15m Unpunched Orange
500.110.15U	Drainflo 110mm x 15m Unpunched
500.110.30U	Drainflo 110mm x 30m Unpunched
500.110.50U	Drainflo 110mm x 50m Unpunched
500.110.100U	Drainflo 110mm x 100m Unpunched
500.160.15U	Drainflo 160mm x 15m Unpunched
500.160.45U	Drainflo 160mm x 45m Unpunched
400.110.30FS	Drainflo 110mm x 30m with Filtersock
400.110.100FS	Drainflo 110mm x 100m with Filtersock
400.160.45FS	Drainflo 160mm x 45m with Filtersock

Drainflo® HD

400.110.100HD	Drainflo HD 110mm x 100m
400.160.45HD	Drainflo HD 160mm x 45m
400.110.100HDFS	Drainflo HD 110mm x 100m with Filtersock
400.160.45HDFS	Drainflo HD 160mm x 45m with Filtersock
500.160.45HDU	Drainflo HD 160mm x 45m Unpunched

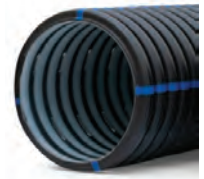


All Drainflo® coils come complete with coupler



Drainflo® Smooth

RXP Code	Description
420.110.30	Drainflo Smooth 110mm x 30m
420.110.50	Drainflo Smooth 110mm x 50m
420.110.100	Drainflo Smooth 110mm x 100m
420.160.45	Drainflo Smooth 160mm x 45m
520.110.30	Drainflo Smooth 110mm x 30m Unpunched
520.110.100	Drainflo Smooth 110mm x 100m Unpunched
520.160.45	Drainflo Smooth 160mm x 45m Unpunched
420.110.30FS	Drainflo Smooth 110mm x 30m with Filtersock
420.110.100FS	Drainflo Smooth 110mm x 100m with Filtersock
420.160.45FS	Drainflo Smooth 160mm x 45m with Filtersock



Drainflo® Smooth HD

420.110.100HD	Drainflo Smooth HD 110mm x 100m
420.160.45HD	Drainflo Smooth HD 160mm x 45m
520.110.100HD	Drainflo Smooth HD 110mm x 100m Unpunched
520.160.45HD	Drainflo Smooth HD 160mm x 45m Unpunched
420.110.100HDFS	Drainflo Smooth HD 110mm x 100m with Filtersock
420.160.45HDFS	Drainflo Smooth HD 160mm x 45m with Filtersock



Drainflo® Fittings

510.65	Straight Coupler 65mm - Black
510.110	Straight Coupler 110mm - Black
510.160	Straight Coupler 160mm - Black
523.160.110	Reducing Coupler
504.110.45	Y Junction (45°) 110mm - Black
504.160.45	Y Junction (45°) 160mm - Black
505.160.110.45	160mm x 110mm Reducing Y Junction {(160mm manway) (45°)}



PVC-U Pressure Pipe - POWER-LOCK™

Technical Data

Conversions	kPa	psi	mH ₂ O
1 bar	100	14.5	10.20
1 psi	6.9	-	-

PVC-U 800 Pressure Pipe (Series 1) Dimensions and Pressure Ratings

PN (BAR)	OD (mm)	Internal				
		6	9	12	15	18
PVCU15	21.30				18.25	17.75
PVCU20	26.70			23.65	22.95	22.35
PVCU25	33.50		30.45	29.75	28.95	28.05
PVCU32	42.30		38.45	37.45	36.35	35.35
PVCU40	48.30	45.15	44.05	42.75	41.55	40.45
PVCU50	60.40	56.75	55.15	53.65	52.15	50.45
PVCU65	5.40	70.95	68.85	66.95	65.05	63.15
PVCU80	88.70	83.70	81.30	79.00	76.70	74.60
PVCU100	114.30	107.80	104.60	101.70	98.80	96.00
PVCU125	140.20	132.20	128.40	124.90	121.30	117.70
PVCU150	160.30	151.25	146.85	142.65	138.65	134.65
PVCU175	200.30	190.05	185.15	180.55	175.95	171.45
PVCU200	225.30	213.80	208.50	203.10	198.00	192.90
PVCU225	250.40	237.65	231.65	225.75	219.95	214.35
PVCU250	280.40	226.20	259.40	252.90	246.40	240.10
PVCU300	315.40	299.45	291.95	284.45	277.25	270.15
PVCU350	335.50	337.50	329.00	320.60	312.50	304.50
PVCU375	400.50	380.30	370.70	361.20	352.00	343.00
PVCU400	450.50	427.80	416.90	406.40	396.00	428.70
PVCU450	500.50	475.30	463.30	451.40	440.00	

800 Series 1 PVC-U Pressure Pipe

- High quality pipe suitable for pressure pipeline systems for cold water services.
- Available in dimensions that are produced in accordance with AS/NZS 1477.
- Effective 6m laid lengths.
- Supplied as Ring Joint.
- "Solvent Joint" Pressure Pipe is subject to availability.
- Lead free product.

RXP Code	Nominal Size (mm)	Outside Diameter (mm)	Pressure Rating @ 20°C	Pack Quantity
PN6 (Class "B")				
800.80.PN6.6RJ	80	88.7	6 Bar / 87 psi	57
800.100.PN6.6RJ	100	114.1	6 Bar / 87 psi	38
800.125.PN6.6RJ	125	140	6 Bar / 87 psi	22
800.150.PN6.6RJ	150	160	6 Bar / 87 psi	28
800.175.PN6.6RJ	175	200	6 Bar / 87 psi	10
800.200.PN6.6RJ	200	225	6 Bar / 87 psi	8
800.225.PN6.6RJ	225	250	6 Bar / 87 psi	8
800.250.PN6.6RJ	250	280	6 Bar / 87 psi	6
800.300.PN6.6RJ	300	315	6 Bar / 87 psi	6
800.375.PN6.6RJ	375	400	6 Bar / 87 psi	6
800.450.PN6.6RJ	450	500	6 Bar / 87 psi	6



RING JOINT (RJ)

PVC-U Pressure Pipe - POWER-LOCK™

RXP Code	Nominal Size (mm)	Outside Diameter (mm)	Pressure Rating @ 20°C	Pack Quantity
PN9 (Class "C")				
800.50.PN9.6RJ	50	60.2	9 Bar / 130 psi	150
800.65.PN9.6RJ	65	75.2	9 Bar / 130 psi	96
800.80.PN9.6RJ	80	88.7	9 Bar / 130 psi	57
800.100.PN9.6RJ	100	114.1	9 Bar / 130 psi	38
800.125.PN9.6RJ	125	140	9 Bar / 130 psi	22
800.150.PN9.6RJ	150	160	9 Bar / 130 psi	28
800.175.PN9.6RJ	175	200	9 Bar / 130 psi	10
800.200.PN9.6RJ	200	225	9 Bar / 130 psi	8
800.225.PN9.6RJ	225	250	9 Bar / 130 psi	8
800.250.PN9.6RJ	250	280	9 Bar / 130 psi	6
800.300.PN9.6RJ	300	315	9 Bar / 130 psi	6
800.375.PN9.6RJ	375	400	9 Bar / 130 psi	6
800.450.PN9.6RJ	450	500	9 Bar / 130 psi	6



PN12 (Class "D")				
800.50.PN12.6RJ	50	60.2	12 Bar / 174 psi	150
800.65.PN12.6RJ	65	75.2	12 Bar / 174 psi	96
800.80.PN12.6RJ	80	88.7	12 Bar / 174 psi	57
800.100.PN12.6RJ	100	114.1	12 Bar / 174 psi	38
800.125.PN12.6RJ	125	140	12 Bar / 174 psi	22
800.150.PN12.6RJ	150	160	12 Bar / 174 psi	28
800.200.PN12.6RJ	200	225	12 Bar / 174 psi	8
800.225.PN12.6RJ	225	250	12 Bar / 174 psi	8
800.250.PN12.6RJ	250	280	12 Bar / 174 psi	6
800.300.PN12.6RJ	300	315	12 Bar / 174 psi	6
800.375.PN12.6RJ	375	400	12 Bar / 174 psi	6



PN15 (Class "E")				
800.50.PN12.6RJ	50	60.2	15 Bar / 225 psi	150
800.65.PN15.6RJ	65	75.2	15 Bar / 225 psi	38
800.80.PN15.6RJ	80	88.7	15 Bar / 225 psi	38
800.100.PN15.6RJ	100	114.1	15 Bar / 225 psi	38
800.125.PN15.6RJ	125	140	15 Bar / 225 psi	22
800.150.PN15.6RJ	150	160	15 Bar / 225 psi	28
800.175.PN15.6RJ	175	200	15 Bar / 225 psi	10
800.200.PN15.6RJ	200	225	15 Bar / 225 psi	8
800.225.PN15.6RJ	225	250	15 Bar / 225 psi	8
800.300.PN15.6RJ	300	315	15 Bar / 225 psi	6



PN18 (Class "F")				
800.50.PN12.6RJ	50	60.2	18 Bar / 270 psi	150
800.100.PN18.6RJ	100	114.1	18 Bar / 270 psi	38
800.150.PN18.6RJ	150	160	18 Bar / 270 psi	28
800.200.PN18.6RJ	200	225	18 Bar / 270 psi	8
800.225.PN18.6RJ	225	250	18 Bar / 270 psi	8



PVC-U Pressure Pipe Solvent Joint

RXP Code	Nominal Size (mm)	Outside Diameter (mm)	Pressure Rating @ 20°C	Pack Quantity
PN6 (Class "B")				
800.50.PN6.6SJ	50	60.2	6 Bar	150
PN9 (Class "C")				
800.32.PN9.6SJ	32	42.1	9 Bar	264
800.40.PN9.6SJ	40	48.1	9 Bar	209
800.50.PN9.6SJ	50	60.2	9 Bar	150
PN12 (Class "D")				
800.32.PN12.6SJ	32	42.1	12 Bar	264
800.40.PN12.6SJ	40	48.1	12 Bar	209
800.50.PN12.6SJ	50	60.2	12 Bar	150
800.65.PN12.6SJ	65	75.2	12 Bar	150
PN15 (Class "E")				
800.15.PN15.6SJ	15	21.2	15 Bar	480
800.20.PN15.6SJ	20	26.6	15 Bar	656
800.25.PN15.6SJ	25	33.4	15 Bar	413
800.32.PN15.6SJ	32	42.1	15 Bar	264
800.40.PN15.6SJ	40	48.1	15 Bar	209
800.50.PN15.6SJ	50	60.2	15 Bar	150



SOLVENT JOINT (SJ)



SOLVENT JOINT (SJ)



SOLVENT JOINT (SJ)

PVC PRESSURE SYSTEMS

DRAIN, WASTE AND VENT - SEWER-LOCK

100 series PVC-U Drain, Waste and Vent (DWV)

- Made to AS/NZS 1260, effective 6m laid lengths.
- Pipe colour - Light grey, lead free product.

RXP Code	Nominal Size (mm)	Outside Diameter (mm)	Stiffness N/m/m	Pack Quantity
100SN6.100.6RJ	100	110	6000	60
100SN10.100.6RJ	100	110	10000	60
100SN16.100.6RJ	100	110	16000	60
100SN4.150.6RJ	150	160	4000	28
100SN8.150.6RJ	150	160	8000	28
100SN16.150.6RJ	150	160	16000	28
100SN4.175.6RJ	175	200	4000	20
100SN4.225.6RJ	225	250	4000	12
100SN8.225.6RJ	225	250	8000	12
100SN16.225.6RJ	225	250	16000	12
100SN4.300.6RJ	300	315	4000	6
100SN8.300.6RJ	300	315	8000	6
100SN16.300.6RJ	300	315	16000	6
100SN8.375.6RJ	375	400	8000	6
100SN16.375.6RJ	375	400	16000	6
100SN6.100.6SJ	100	110	6000	60
100SN10.100.6SJ	100	110	10000	60
100SN4.150.6SJ	150	160	4000	28
100.32.6SJ	32	36.2		230
100.40.6SJ	40	42.8		180
100.50.6SJ	50	55.7		149
100.65.6SJ	65	68.7		105
100.80.6SJ	80	82.3		88



RING JOINT (RJ)



SOLVENT JOINT (SJ)

STORMWATER AND CULVERT - STORM-LOCK™

700 Series PVC-U Stormwater Pipe

- Made to AS 1254, effective 6m laid lengths.
- Pipe colour - Dark grey, lead free product.

RXP Code	Nominal Size (mm)	Outside Diameter (mm)	Effective Pipe Length	Pack Quantity
700SN4.90.6SJ	90	90.3	6 metres	81
700SN4.100.6SJ	100	110	6 metres	60
700SN4.150.6SJ	150	160	6 metres	28
700SN4.175.6SJ	175	200	6 metres	20
700SN4.150.6RJ	150	160	6 metres	28
700SN4.175.6RJ	175	200	6 metres	28
700SN4.225.6RJ	225	250	6 metres	12
700SN4.300.6RJ	300	315	6 metres	6
700SN4.375.6RJ	375	400	6 metres	6
700SN4.475.6RJ	475	500	6 metres	4



SOLVENT JOINT (SJ)



RING JOINT (RJ)



SOCKET JOINT (SJ)

STORMWATER AND CULVERT SYSTEMS

550 Series PVC-U Culvert Pipe

- Lead free product.

RXP Code	Outside Diameter (mm)	Pipe Length Including Socket	Pack Quantity
550.110.6SJ	110	6 metres	60
550.160.6SJ	160	6 metres	28
550.200.6SJ	200	6 metres	20
550.250.6SJ	250	6 metres	12
550.315.6SJ	315	6 metres	6
550.400.6SJ	400	6 metres	6
550.500.6SJ	500	6 metres	4

PVC-U ELECTRICAL DUCT

2700 Series PVC-U Electrical Duct

- 32mm – 80mm dimensions equal to AS/NZS 1260.
- 100mm and 150mm made to AS/NZS 2053.
- Pipe colour – Orange, lead free product.
- 6 metre effective laid length.

RXP Code	Nominal Size (mm)	Outside Diameter (mm)	Effective Laid Pipe Length	Pack Quantity
2700.32.6SJ	32	36.2	6 metres	230
2700.40.6SJ	40	42.8	6 metres	180
2700.50.6SJ	50	55.7	6 metres	149
2700.65.6SJ	65	68.7	6 metres	105
2700.100.HD.6SJ	100		6 metres	
2700.100.MD.6SJ	100		6 metres	
2700.150.HD.6SJ	150		6 metres	
2700.150.MD.6SJ	150		6 metres	



SOCKET JOINT (SJ)

Joint Primer	
RX.PRIMER.4000	Joint Primer 4 Litre Tin
RX.PRIMER.500	Joint Primer 500ml Pot

High strength PVC priming fluid used to clean PVC pressure pipe prior to gluing on all classes of PVC pressure pipe and fittings. Recommended for sizes up to 150mm. Easy to apply and coloured pink for quick identification joint has been primed prior to solventing.



RX.PRIMER.CL.500	Joint Primer Clear 500ml Pot
------------------	------------------------------

Easy to apply and in clear where non-staining is required for all visible joints.

Solvent Cement	
RX.SOLVENT.125	Solvent Cement Gold 125ml Pot
RX.SOLVENT.250	Solvent Cement Gold 250ml Pot
RX.SOLVENT.500	Solvent Cement Gold 500ml Pot

Specifically formulated to bond together Drain, Waste & Vent (DWV) pipe, Storm Water and Pressure Pipes systems and helps to ensure a long-lasting, water tight joint is achieved.



Joint Lube	
RX.LUBE.2000	Joint Lube 2kg
RX.LUBE.500	Joint Lube 500gm

Pipe lube should be used for every Rubber Ringed joint pipe. Applied around a clean rubber ring so the pipe is inserted easily and doesn't damage the ring.



PVC ELECTRICAL DUCT

COMPRESSION FITTINGS

COMPRESSION FITTINGS FEATURES:

- Body made from polypropylene.
- Locking ring and sleeve - acetal.
- Sealing ring, nitrile rubber seal.
- UV stabilised, will not breakdown in sunlight.
- BSPT connection threads.
- Robust strong fitting.
- No obstruction to flow.
- Full flow external fit fitting.
- 50mm female fitting has stainless steel reinforcing ring.

TAPPING SADDLE FEATURES:

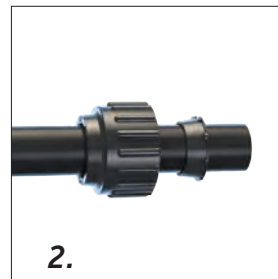
- Body made from polypropylene.
- Nylon reinforcing ring.
- Stainless steel nuts and bolts.
- UV stabilised, will not break down in sunlight.
- Female BSPT connection threads.
- Robust strong fitting.
- Easy installation - 2 or 4 bolt options.

RECOMMENDED WORKING PRESSURE:

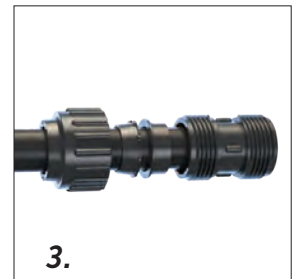
- Maximum working pressure 1200 kPa or 173 psi.
- 15mm - 50mm suitable for High Density Pipe manufactured to RX Standard or NZ Standard and Medium Density (MDID) Pipe to RX Standard.



1. Cut the pipe square, then chamfer.



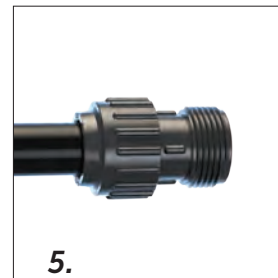
2. Slide nut first then locking ring, over the pipe.



3. Push pipe into fitting, past the collar and o-ring, until pipe sits on ridge.



4. Slide nut and locking ring up to body and wind up.



5. Tighten nut with wrench or equivalent.

COMPRESSION FITTINGS

RXP Code	Description	Pack Quantity
Straight Coupling		
RXC15	15mm Straight Coupling	10
RXC20	20mm Straight Coupling	10
RXC25	25mm Straight Coupling	10
RXC32	32mm Straight Coupling	5
RXC40	40mm Straight Coupling	2
RXC50	50mm Straight Coupling	2



Male Coupling		
RXMC15	15mm Male Coupling x 1/2"	10
RXMC20	20mm Male Coupling x 3/4"	10
RXMC25	25mm Male Coupling x 1"	10
RXMC32	32mm Male Coupling x 1 1/4"	10
RXMC40	40mm Male Coupling x 1 1/2"	5
RXMC50	50mm Male Coupling x 2"	2



Female Coupling		
RXFC15	15mm Female Coupling x 1/2"	10
RXFC20	20mm Female Coupling x 3/4"	10
RXFC25	25mm Female Coupling x 1"	10
RXFC32	32mm Female Coupling x 1 1/4"	10
RXFC40	40mm Female Coupling x 1 1/2"	5
RXFC50	50mm Female Coupling x 2"	2



Equal Tee		
RXT15	15mm Equal Tee	10
RXT20	20mm Equal Tee	5
RXT25	25mm Equal Tee	5
RXT32	32mm Equal Tee	2
RXT40	40mm Equal Tee	2
RXT50	50mm Equal Tee	2



Female Tee		
RXFT15	15mm Female Tee x 1/2"	10
RXFT20	20mm Female Tee x 3/4"	5
RXFT25	25mm Female Tee x 1"	5
RXFT32	32mm Female Tee x 1 1/4"	2
RXFT40	40mm Female Tee x 1 1/2"	2
RXFT50	50mm Female Tee x 2"	2



COMPRESSION FITTINGS

COMPRESSION FITTINGS

RXP Code	Description	Pack Quantity
Female 90° Elbow		
RXFE15	15mm Female 90° Elbow x ½"	10
RXFE20	20mm Female 90° Elbow x ¾"	10
RXFE25	25mm Female 90° Elbow x 1"	5
RXFE32	32mm Female 90° Elbow x 1 ¼"	2
RXFE40	40mm Female 90° Elbow x 1 ½"	2
RXFE50	50mm Female 90° Elbow x 2"	2



90° Elbow		
RXE15	15mm 90° Elbow	10
RXE20	20mm 90° Elbow	10
RXE25	25mm 90° Elbow	5
RXE32	32mm 90° Elbow	2
RXE40	40mm 90° Elbow	2
RXE50	50mm 90° Elbow	2



Male 90° Elbow		
RXME15	15mm Male 90° Elbow x ½"	10
RXME20	20mm Male 90° Elbow x ¾"	10
RXME25	25mm Male 90° Elbow x 1"	5



Compression O-Ring		
SOR15	15mm Compression O-Ring	10
SOR20	20mm Compression O-Ring	10
SOR25	25mm Compression O-Ring	10
SOR32	32mm Compression O-Ring	10
SOR40	40mm Compression O-Ring	10
SOR50	50mm Compression O-Ring	10



Compression Nut		
SCN15	15mm Compression Nut	10
SCN20	20mm Compression Nut	10
SCN25	25mm Compression Nut	10
SCN32	32mm Compression Nut	10
SCN40	40mm Compression Nut	10
SCN50	50mm Compression Nut	10



Compression Locking Ring		
SLR15	15mm Compression Locking Ring	10
SLR20	20mm Compression Locking Ring	10
SLR25	25mm Compression Locking Ring	10
SLR32	32mm Compression Locking Ring	10
SLR40	40mm Compression Locking Ring	10
SLR50	50mm Compression Locking Ring	10



COMPRESSION FITTINGS

COMPRESSION FITTINGS

RXP Code	Description	Pack Quantity
Compression Sleeve		
SCS15	15mm Compression Sleeve	10
SCS20	20mm Compression Sleeve	10
SCS25	25mm Compression Sleeve	10
SCS32	32mm Compression Sleeve	10
SCS40	40mm Compression Sleeve	10
SCS50	50mm Compression Sleeve	10



Tapping Saddles

RXP Code	Description	Pack Quantity
Tapping Saddle 2 Bolt		
RXTS2015	20mm x 15mm Take-off Tapping Saddle (2 Bolt)	10
RXTS2020	20mm x 20mm Take-off Tapping Saddle (2 Bolt)	10
RXTS2515	25mm x 15mm Take-off Tapping Saddle (2 Bolt)	10
RXTS2520	25mm x 20mm Take-off Tapping Saddle (2 Bolt)	10
RXTS3215	32mm x 15mm Take-off Tapping Saddle (2 Bolt)	10
RXTS3220	32mm x 20mm Take-off Tapping Saddle (2 Bolt)	10



Tapping Saddle 4 Bolt		
RXTS4015	40mm x 15mm Take-off Tapping Saddle (4 Bolt)	10
RXTS4020	40mm x 20mm Take-off Tapping Saddle (4 Bolt)	10
RXTS4025	40mm x 25mm Take-off Tapping Saddle (4 Bolt)	10
RXTS4032	40mm x 32mm Take-off Tapping Saddle (4 Bolt)	10
RXTS5015	50mm x 15mm Take-off Tapping Saddle (4 Bolt)	10
RXTS5020	50mm x 20mm Take-off Tapping Saddle (4 Bolt)	10
RXTS5025	50mm x 25mm Take-off Tapping Saddle (4 Bolt)	10
RXTS5032	50mm x 32mm Take-off Tapping Saddle (4 Bolt)	10



BSP THREADED FITTINGS



FEATURES:

- Meets the requirements for potable water quality AS/ NZS 4020.
- Suitable for use above or below ground.
- UV stabilised, will not break down in sunlight.
- BSP and BSPT threads.
- Tough threads that won't distort.
- Robust, strong and long lasting.
- Suitable for use with water.
- No corrosion risk.
- Superior joint sealing.

INSTALLATION:

- First apply an adequate cover of thread tape to the length of the thread.
- Insert the thread covered with tape into a corresponding thread (i.e. male inserts into female thread or vice versa).
- Tighten until secure.

RXP recommends the use of thread tape or sealant on all threaded connections.

BSP THREADED FITTINGS

WORKING PRESSURE:

MAXIMUM WORKING PRESSURE AT 20°C

- **Tefen Brand**
6mm-10mm ($\frac{1}{8}$ "- $\frac{3}{8}$ "
1400kPa (200 psi, 14 Bar)
- **RXP Brand**
15mm-50mm ($\frac{1}{2}$ "-2")
1600kPa (235 psi, 16 Bar)
65mm-100mm (2 $\frac{1}{2}$ "-4")
1000kPa (145 psi, 10 Bar)
- **Philmac Brand**
15mm-50mm ($\frac{1}{2}$ "-2")
1600kPa (235 psi, 16 Bar)
65mm (2 $\frac{1}{2}$ "
1200kPa (174 psi, 12 Bar)
80mm-100mm (3"-4")
1000kPa (145 psi, 10 Bar)



BSP THREADED FITTINGS

RXP Code	Description	Philmac Code	Pack Quantity
Hex Nipple			
RXHN06	6mm Hex Nipple ($\frac{1}{8}$ "		10
RXHN08	8mm Hex Nipple ($\frac{1}{4}$ "		10
RXHN10	10mm Hex Nipple ($\frac{3}{8}$ "		10
RXHN15	15mm Hex Nipple ($\frac{1}{2}$ "	90421100	10
RXHN20	20mm Hex Nipple ($\frac{3}{4}$ "	90422200	10
RXHN25	25mm Hex Nipple (1"	90423300	10
RXHN32	32mm Hex Nipple (1 $\frac{1}{4}$ "	90424400	10
RXHN40	40mm Hex Nipple (1 $\frac{1}{2}$ "	90425500	10
RXHN50	50mm Hex Nipple (2"	90426600	10
RXHN65	65mm Hex Nipple (2 $\frac{1}{2}$ "	90427700	1
RXHN80	80mm Hex Nipple (3"	90428800	1
RXHN100	100mm Hex Nipple (4"	90420000	1



Reducing Hex Nipple			
RXRHN0806	8 x 6mm Reducing Hex Nipple ($\frac{1}{4}$ " x $\frac{1}{8}$ "		10
RXRHN1006	10 x 6mm Reducing Hex Nipple ($\frac{3}{8}$ " x $\frac{1}{8}$ "		10
RXRHN1008	10 x 8mm Reducing Hex Nipple ($\frac{3}{8}$ " x $\frac{1}{4}$ "		10
RXRHN1508	15 x 8mm Reducing Hex Nipple ($\frac{1}{2}$ " x $\frac{1}{4}$ "		10
RXRHN1510	15 x 10mm Reducing Hex Nipple ($\frac{1}{2}$ " x $\frac{3}{8}$ "		10
RXRHN2015	20 x 15mm Reducing Hex Nipple ($\frac{3}{4}$ " x $\frac{1}{2}$ "	90422100	10
RXRHN2515	25 x 15mm Reducing Hex Nipple (1" x $\frac{1}{2}$ "	90423100	10
RXRHN2520	25 x 20mm Reducing Hex Nipple (1" x $\frac{3}{4}$ "	90423200	10
RXRHN3220	32 x 20mm Reducing Hex Nipple (1 $\frac{1}{4}$ " x $\frac{3}{4}$ "	90424200	10
RXRHN3225	32 x 25mm Reducing Hex Nipple (1 $\frac{1}{4}$ " x 1"	90424300	10
RXRHN4020	40 x 20mm Reducing Hex Nipple (1 $\frac{1}{2}$ " x $\frac{3}{4}$ "	90425200	10
RXRHN4025	40 x 25mm Reducing Hex Nipple (1 $\frac{1}{2}$ " x 1"	90425300	10
RXRHN4032	40 x 32mm Reducing Hex Nipple (1 $\frac{1}{2}$ " x 1 $\frac{1}{4}$ "	90425400	10
RXRHN5020	50 x 20mm Reducing Hex Nipple (2" x $\frac{3}{4}$ "	90426200	10
RXRHN5025	50 x 25mm Reducing Hex Nipple (2" x 1"	90426300	10
RXRHN5032	50 x 32mm Reducing Hex Nipple (2" x 1 $\frac{1}{4}$ "	90426400	10
RXRHN5040	50 x 40mm Reducing Hex Nipple (2" x 1 $\frac{1}{2}$ "	90426500	10
RXRHN6532	65 x 32mm Reducing Hex Nipple (2 $\frac{1}{2}$ " x 1 $\frac{1}{4}$ "	90427400	1
RXRHN6540	65 x 40mm Reducing Hex Nipple (2 $\frac{1}{2}$ " x 1 $\frac{1}{2}$ "	90427500	1
RXRHN6550	65 x 50mm Reducing Hex Nipple (2 $\frac{1}{2}$ " x 2"	90427600	1
RXRHN8040	80 x 40mm Reducing Hex Nipple (3" x 1 $\frac{1}{2}$ "	90428500	1
RXRHN8050	80 x 50mm Reducing Hex Nipple (3" x 2"	90428600	10
RXRHN10050	100 x 50mm Reducing Hex Nipple (4" x 2"	90420600	10
RXRHN10065	100 x 65mm Reducing Hex Nipple (4" x 2 $\frac{1}{2}$ "	90420700	10
RXRHN10080	100 x 80mm Reducing Hex Nipple (4" x 3"	90420800	10



BSP THREADED FITTINGS

BSP THREADED FITTINGS

RXP Code	Description	Philmac Code	Pack Quantity
Hex Socket			
RXHS06	6mm Hex Socket (1/8")		10
RXHS08	8mm Hex Socket (1/4")		10
RXHS10	10mm Hex Socket (3/8")		10
RXHS15	15mm Hex Socket (1/2")	90431100	10
RXHS20	20mm Hex Socket (3/4")	90432200	10
RXHS25	25mm Hex Socket (1")	90433300	10
RXHS32	32mm Hex Socket (1 1/4")	90434400	10
RXHS40	40mm Hex Socket (1 1/2")	90435500	10
RXHS50	50mm Hex Socket (2")	90436600	10
RXHS65	65mm Hex Socket (2 1/2")	90437700	1
RXHS80	80mm Hex Socket (3")	90438800	1
RXHS100	100mm Hex Socket (4")	90430000	1
Reducing Hex Socket			
RXRHS0806	8 x 6mm Reducing Hex Socket (1/4" x 1/8")		10
RXRHS1006	10 x 6mm Reducing Hex Socket (3/8" x 1/8")		10
RXRHS1008	10 x 8mm Reducing Hex Socket (3/8" x 1/4")		10
RXRHS1508	15 x 8mm Reducing Hex Socket (1/2" x 1/4")		10
RXRHS1510	15 x 10mm Reducing Hex Socket (1/2" x 3/8")		10
RXRHS2008	20 x 8mm Reducing Hex Socket (3/4" x 1/4")		10
RXRHS2015	20 x 15mm Reducing Hex Socket (3/4" x 1/2")	90432100	10
RXRHS2515	25 x 15mm Reducing Hex Socket (1" x 1/2")	90433100	10
RXRHS2520	25 x 20mm Reducing Hex Socket (1" x 3/4")	90433200	10
RXRHS3220	32 x 20mm Reducing Hex Socket (1 1/4" x 3/4")	90434200	10
RXRHS3225	32 x 25mm Reducing Hex Socket (1 1/4" x 1")	90434300	10
RXRHS4020	40 x 20mm Reducing Hex Socket (1 1/2" x 3/4")	90435200	10
RXRHS4025	40 x 25mm Reducing Hex Socket (1 1/2" x 1")	90435300	10
RXRHS4032	40 x 32mm Reducing Hex Socket (1 1/2" x 1 1/4")	90435400	10
RXRHS5020	50 x 20mm Reducing Hex Socket (2" x 3/4")	90436200	10
RXRHS5025	50 x 25mm Reducing Hex Socket (2" x 1")	90436300	10
RXRHS5032	50 x 32mm Reducing Hex Socket (2" x 1 1/4")	90436400	10
RXRHS5040	50 x 40mm Reducing Hex Socket (2" x 1 1/2")	90436500	10
RXRHS6540	65 x 40mm Reducing Hex Socket (2 1/2" x 1 1/2")	90437500	
RXRHS6550	65 x 50mm Reducing Hex Socket (2 1/2" x 2")	90437600	
RXRHS8050	80 x 50mm Reducing Hex Socket (3" x 2")	90438600	
RXRHS8065	80 x 65mm Reducing Hex Socket (3" x 2 1/2")	90438700	
RXRHS10065	100 x 65mm Reducing Hex Socket (4" x 2 1/2")	90430700	
RXRHS10080	100 x 80mm Reducing Hex Socket (4" x 3")	90430800	



BSP THREADED FITTINGS

BSP THREADED FITTINGS

RXP Code	Description	Philmac Code	Pack Quantity
Reducing Bush			
RXRB0806	8 x 6mm Reducing Bush ($\frac{1}{4}$ " x $\frac{1}{8}$ ")		10
RXRB1006	10 x 6mm Reducing Bush ($\frac{3}{8}$ " x $\frac{1}{8}$ ")		10
RXRB1008	10 x 8mm Reducing Bush ($\frac{3}{8}$ " x $\frac{1}{4}$ ")		10
RXRB1506	15 x 6mm Reducing Bush ($\frac{1}{2}$ " x $\frac{1}{8}$ ")		10
RXRB1508	15 x 8mm Reducing Bush ($\frac{1}{2}$ " x $\frac{1}{4}$ ")		10
RXRB1510	15 x 10mm Reducing Bush ($\frac{1}{2}$ " x $\frac{3}{8}$ ")		10
RXRB2008	20 x 8mm Reducing Bush ($\frac{3}{4}$ " x $\frac{1}{4}$ ")		10
RXRB2010	20 x 10mm Reducing Bush ($\frac{3}{4}$ " x $\frac{3}{8}$ ")		10
RXRB2015	20 x 15mm Reducing Bush ($\frac{3}{4}$ " x $\frac{1}{2}$ ")	90412100	10
RXRB2515	25 x 15mm Reducing Bush (1" x $\frac{1}{2}$ ")	90413100	10
RXRB2520	25 x 20mm Reducing Bush (1" x $\frac{3}{4}$ ")	90413200	10
RXRB3220	32 x 20mm Reducing Bush (1 $\frac{1}{4}$ " x $\frac{3}{4}$ ")	90414200	10
RXRB3225	32 x 25mm Reducing Bush (1 $\frac{1}{4}$ " x 1")	90414300	10
RXRB4020	40 x 20mm Reducing Bush (1 $\frac{1}{2}$ " x $\frac{3}{4}$ ")	90415200	10
RXRB4025	40 x 25mm Reducing Bush (1 $\frac{1}{2}$ " x 1")	90415300	10
RXRB4032	40 x 32mm Reducing Bush (1 $\frac{1}{2}$ " x 1 $\frac{1}{4}$ ")	90415400	10
RXRB5020	50 x 20mm Reducing Bush (2" x $\frac{3}{4}$ ")	90416200	10
RXRB5025	50 x 25mm Reducing Bush (2" x 1")	90416300	10
RXRB5032	50 x 32mm Reducing Bush (2" x 1 $\frac{1}{4}$ ")	90416400	10
RXRB5040	50 x 40mm Reducing Bush (2" x 1 $\frac{1}{2}$ ")	90416500	10
RXRB6532	65 x 32mm Reducing Bush (2 $\frac{1}{2}$ " x 1 $\frac{1}{4}$ ")	90417400	
RXRB6540	65 x 40mm Reducing Bush (2 $\frac{1}{2}$ " x 1 $\frac{1}{2}$ ")	90417500	
RXRB6550	65 x 50mm Reducing Bush (2 $\frac{1}{2}$ " x 2")	90417600	
RXRB8040	80 x 40mm Reducing Bush (3" x 1 $\frac{1}{2}$ ")	90418500	
RXRB8050	80 x 50mm Reducing Bush (3" x 2")	90418600	10
RXRB8065	80 x 65mm Reducing Bush (3" x 2 $\frac{1}{2}$ ")	90418700	10
RXRB10050	100 x 50mm Reducing Bush (4" x 2")	90410600	10
RXRB10065	100 x 65mm Reducing Bush (4" x 2 $\frac{1}{2}$ ")	90410700	
RXRB10080	100 x 80mm Reducing Bush (4" x 3")	90410800	10
Threaded Female Tee			
RXTFT15	15mm Threaded Female Tee ($\frac{1}{2}$ ")	90451100	10
RXTFT20	20mm Threaded Female Tee ($\frac{3}{4}$ ")	90452200	10
RXTFT25	25mm Threaded Female Tee (1")	90453300	10
RXTFT32	32mm Threaded Female Tee (1 $\frac{1}{4}$ ")	90454400	5
RXTFT40	40mm Threaded Female Tee (1 $\frac{1}{2}$ ")	90455500	5
RXTFT50	50mm Threaded Female Tee (2")	90456600	2
RXTFT65	65mm Threaded Female Tee (2 $\frac{1}{2}$ ")	90457700	1
RXTFT80	80mm Threaded Female Tee (3")	90458800	1
RXTFT100	100mm Threaded Female Tee (4")	90450000	1



BSP THREADED FITTINGS

BSP THREADED FITTINGS

RXP Code	Description	Philmac Code	Pack Quantity
Threaded 90° Female Elbow			
RXTFE15	15mm Threaded 90° Female Elbow (½")	90461100	10
RXTFE20	20mm Threaded 90° Female Elbow (¾")	90462200	10
RXTFE25	25mm Threaded 90° Female Elbow (1")	90463300	10
RXTFE32	32mm Threaded 90° Female Elbow (1 ¼")	90464400	10
RXTFE40	40mm Threaded 90° Female Elbow (1 ½")	90465500	5
RXTFE50	50mm Threaded 90° Female Elbow (2")	90466600	2
Threaded 90° Male Elbow			
RXTME06	6mm Threaded 90° Male Elbow (⅛")		10
RXTME08	8mm Threaded 90° Male Elbow (¼")		10
RXTME10	10mm Threaded 90° Male Elbow (⅜")		10
Threaded 90° Male/Female Elbow			
RXTMFE15	15mm Threaded 90° Male/Female Elbow (½")	90469100	10
RXTMFE20	20mm Threaded 90° Male/Female Elbow (¾")	90469200	10
RXTMFE25	25mm Threaded 90° Male/Female Elbow (1")	90469300	10
RXTMFE32	32mm Threaded 90° Male/Female Elbow (1 ¼")	90469400	10
RXTMFE40	40mm Threaded 90° Male/Female Elbow (1 ½")	90469500	5
RXTMFE50	50mm Threaded 90° Male/Female Elbow (2")	90469600	2
Cap and Washer			
RXC/W15	15mm Cap and Washer (½")		10
RXC/W20	20mm Cap and Washer (¾")		10
RXC/W25	25mm Cap and Washer (1")		10
RXC/W32	32mm Cap and Washer (1 ¼")		10
RXC/W40	40mm Cap and Washer (1 ½")		10
RXC/W50	50mm Cap and Washer (2")		10
Cap - No Washer			
RXCP06	6mm Cap (⅛") - No Washer		10
RXCP08	8mm Cap (¼") - No Washer		10
RXCP10	10mm Cap (⅜") - No Washer		10



BSP THREADED FITTINGS

BSP THREADED FITTINGS

RXP Code	Description	Philmac Code	Pack Quantity
Cap -No Washer			
RXCP15	15mm Cap (½") - No Washer	90490100	10
RXCP20	20mm Cap (¾") -No Washer	90490200	10
RXCP25	25mm Cap (1") - No Washer	90490300	10
RXCP32	32mm Cap (1 ¼") - No Washer	90490400	10
RXCP40	40mm Cap (1 ½") -No Washer	90490500	10
RXCP50	50mm Cap (2") -No Washer	90490600	10
RXCP65	65mm Cap (2½")	90490700	1
RXCP80	80mm Cap (3")	90490800	1
RXCP100	100mm Cap (4")	90490000	1



Tank Fitting and Back Nut			
RXTF15	15mm Tank Fitting and Back Nut (½")		10
RXTF20	20mm Tank Fitting and Back Nut (¾")		10
RXTF25	25mm Tank Fitting and Back Nut (1")		10
RXTF32	32mm Tank Fitting and Back Nut (1 ¼")		10
RXTF40	40mm Tank Fitting and Back Nut (1 ½")		10
RXTF50	50mm Tank Fitting and Back Nut (2")		5



Male Threaded Tank Inlet			
RXTTI15	15mm Male Threaded Tank Inlet (½")		5
RXTTI20	20mm Male Threaded Tank Inlet (¾")		5
RXTTI25	25mm Male Threaded Tank Inlet (1")		5
RXTTI32	32mm Male Threaded Tank Inlet (1 ¼")		5
RXTTI40	40mm Male Threaded Tank Inlet (1 ½")		5
RXTTI50	50mm Male Threaded Tank Inlet (2")		5



RXTTI Back Nut			
RXTTIBN15	15mm RXTTI Back Nut (½")		1
RXTTIBN20	20mm RXTTI Back Nut (¾")		1
RXTTIBN25	25mm RXTTI Back Nut (1")		1
RXTTIBN32	32mm RXTTI Back Nut (1 ¼")		1
RXTTIBN40	40mm RXTTI Back Nut (1 ½")		1
RXTTIBN50	50mm RXTTI Back Nut (2")		1



RXTTI Washer			
RXTTIW15	15mm RXTTI Washer (½")		1
RXTTIW20	20mm RXTTI Washer (¾")		1
RXTTIW25	25mm RXTTI Washer (1")		1
RXTTIW32	32mm RXTTI Washer (1 ¼")		1
RXTTIW40	40mm RXTTI Washer (1 ½")		1
RXTTIW50	50mm RXTTI Washer (2")		1



BSP THREADED FITTINGS

RXP Code	Description	Philmac Code	Pack Quantity
Hex Plug			
RXHP06	6mm Hex Plug (1/8")		10
RXHP08	8mm Hex Plug (1/4")		10
RXHP10	10mm Hex Plug (3/8")		10
RXHP15	15mm Hex Plug (1/2")	90401100	10
RXHP20	20mm Hex Plug (3/4")	90402200	10
RXHP25	25mm Hex Plug (1")	90403300	10
RXHP32	32mm Hex Plug (1 1/4")	90404400	10
RXHP40	40mm Hex Plug (1 1/2")	90405500	10
RXHP50	50mm Hex Plug (2")	90406600	10
RXHP65	65mm Hex Plug (2 1/2")	90407700	10
RXHP80	80mm Hex Plug (3")	90408800	10
RXHP100	100mm Hex Plug (4")	90400000	10
RXTF Back Nut			
RXBN15	15mm RXTF Back Nut (1/2")		10
RXBN20	20mm RXTF Back Nut (3/4")		10
RXBN25	25mm RXTF Back Nut (1")		10
RXBN32	32mm RXTF Back Nut (1 1/4")		10
RXBN40	40mm RXTF Back Nut (1 1/2")		10
RXBN50	50mm RXTF Back Nut (2")		10
Hose Tail Elbow			
RXHTE06.4MM	6 x 4mm Hose Tail Elbow (1/8" x 4mm)		10
RXHTE08.6MM	8 x 6mm Hose Tail Elbow (1/4" x 6mm)		10
RXHTE10.8MM	10 x 8mm Hose Tail Elbow (3/8" x 8mm)		10
RXHTE10.10MM	10 x 10mm Hose Tail Elbow (3/8" x 10mm)		10
Hose Tail			
RXHT06.4MM	6 x 4mm Hose Tail (1/8" x 4mm)		10
RXHT06.6MM	6 x 6mm Hose Tail (1/8" x 6mm)		10
RXHT08.6MM	8 x 6mm Hose Tail (1/4" x 6mm)		10
RXHT08.8MM	8 x 8mm Hose Tail (1/4" x 8mm)		10
RXHT08.10MM	8 x 10mm Hose Tail (1/4" x 10mm)		10
RXHT10.10MM	10 x 10mm Hose Tail (3/8" x 10mm)		5
RXHT15	15mm Hose Tail (1/2")		10
RXHT20	20mm Hose Tail (3/4")		10
RXHT25	25mm Hose Tail (1")		10
RXHT32	32mm Hose Tail (1 1/4")		10
RXHT40	40mm Hose Tail (1 1/2")		10
RXHT50	50mm Hose Tail (2")		5



BSP THREADED FITTINGS

RXP Code	Description	Pack Quantity
Hose Tail Long		
RXHT32.32MM.LONG	32 x 32mm Hose Tail Long (1 ¼" x 32mm)	10
RXHT40.32MM.LONG	40 x 32mm Hose Tail Long (1 ½" x 32mm)	10
RXHT40.40MM.LONG	40 x 40mm Hose Tail Long (1 ½" x 40mm)	10
Female Nut & Tail		
RXTFNT20.6MM	20 x 6mm Female Nut & Tail (¾" x 6mm)	10
RXTFNT20.8MM	20 x 8mm Female Nut & Tail (¾" x 8mm)	10
RXTFNT20.10MM	20 x 10mm Female Nut & Tail (¾" x 10mm)	10
Female Quick-Lock Coupling		
AQLCF20	20mm Female Quick-Lock Coupling (¾")	10
AQLCF25	25mm Female Quick-Lock Coupling (1")	10
AQLCF32	32mm Female Quick-Lock Coupling (1 ¼")	10
AQLCF40	40mm Female Quick-Lock Coupling (1 ½")	10
Male Quick-Lock Coupling		
AQLCM20	20mm Male Quick-Lock Coupling (¾")	10
AQLCM25	25mm Male Quick-Lock Coupling (1")	10
AQLCM32	32mm Male Quick-Lock Coupling (1 ¼")	10
AQLCM40	40mm Male Quick-Lock Coupling (1 ½")	10
AQLCR	Spare Seal Ring	1
Swivel		
ASW20	20mm Swivel (¾")	10
ASW25	25mm Swivel (1")	10
ASW32	32mm Swivel (1 ¼")	5
ASW40	40mm Swivel (1 ½")	5
ASW50	50mm Swivel (2")	5
Pipe Union		
APU20	20mm Pipe Union (¾")	10
APU25	25mm Pipe Union (1")	10
APU32	32mm Pipe Union (1 ¼")	5
APU40	40mm Pipe Union (1 ½")	5
APU50	50mm Pipe Union (2")	5



*32mm and 40mm Swivel can be used with hose nozzles or K-Line up to a maximum working pressure of 70 psi.

BSP THREADED FITTINGS

Polyprop Risers

RXP Code	Description	Pressure Rating @20°C
Polyprop Riser Lengths - No Threads		
RXPPL15.05	15mm Polyprop Riser Length x 5Mts	
RXPPL20.05	20mm Polyprop Riser Length x 5Mts	
RXPPL25.05	25mm Polyprop Riser Length x 5Mts	
RXPPL32.05	32mm Polyprop Riser Length x 5Mts	
RXPPL40.05	40mm Polyprop Riser Length x 5Mts	
RXPPL50.05	50mm Polyprop Riser Length x 5Mts	



Other lengths are available on request however a minimum order of 20 lengths would be required to run these non-stock items.

Polyprop Risers - Threaded Lengths		
RXPPR15.150	15mm Polyriser x 150mm (6")	1500 kPa
RXPPR15.200	15mm Polyriser x 200mm (8")	1500 kPa
RXPPR15.300	15mm Polyriser x 300mm (12")	1500 kPa
RXPPR15.450	15mm Polyriser x 450mm (18")	1500 kPa
RXPPR15.600	15mm Polyriser x 600mm (24")	1500 kPa
RXPPR15.900	15mm Polyriser x 900mm (36")	1500 kPa
RXPPR15.1200	15mm Polyriser x 1200mm (48")	1500 kPa
<hr/>		
RXPPR20.100	20mm Polyriser x 100mm (4")	1500 kPa
RXPPR20.150	20mm Polyriser x 150mm (6")	1500 kPa
RXPPR20.200	20mm Polyriser x 200mm (8")	1500 kPa
RXPPR20.300	20mm Polyriser x 300mm (12")	1500 kPa
RXPPR20.450	20mm Polyriser x 450mm (18")	1500 kPa
RXPPR20.600	20mm Polyriser x 600mm (24")	1500 kPa
RXPPR20.900	20mm Polyriser x 900mm (36")	1500 kPa
RXPPR20.1200	20mm Polyriser x 1200mm (48")	1500 kPa
<hr/>		
RXPPR25.100	25mm Polyriser x 100mm (4")	1500 kPa
RXPPR25.150	25mm Polyriser x 150mm (6")	1500 kPa
RXPPR25.200	25mm Polyriser x 200mm (8")	1500 kPa
RXPPR25.300	25mm Polyriser x 300mm (12")	1500 kPa
RXPPR25.400	25mm Polyriser x 400mm (15")	1500 kPa
RXPPR25.450	25mm Polyriser x 450mm (18")	1500 kPa
RXPPR25.600	25mm Polyriser x 600mm (24")	1500 kPa
RXPPR25.900	25mm Polyriser x 900mm (36")	1500 kPa
RXPPR25.1200	25mm Polyriser x 1200mm (48")	1500 kPa



BSP THREADED FITTINGS

BSP THREADED FITTINGS

RXP Code	Description	Pressure Rating @20°C
Polyprop Risers - Threaded Lengths		
RXPPR32.150	32mm Polyriser x 150mm (6")	1500 kPa
RXPPR32.200	32mm Polyriser x 200mm (8")	1500 kPa
RXPPR32.300	32mm Polyriser x 300mm (12")	1500 kPa
RXPPR32.450	32mm Polyriser x 450mm (18")	1500 kPa
RXPPR32.600	32mm Poly Riser x 600mm (24")	1500 kPa
<hr/>		
RXPPR40.300	40mm Polyriser x 300mm (12")	1200 kPa
RXPPR40.450	40mm Polyriser x 450mm (18")	1200 kPa
RXPPR40.600	40mm Polyriser x 600mm (24")	1200 kPa
<hr/>		
RXPPR50.150	50mm Polyriser x 150mm (6")	1000 kPa
RXPPR50.300	50mm Polyriser x 300mm (12")	1000 kPa
RXPPR50.450	50mm Polyriser x 450mm (18")	1000 kPa
RXPPR50.600	50mm Polyriser x 600mm (24")	1000 kPa



BSP THREADED FITTINGS



Metric Compression Fittings



Simply Slide and Tighten™ for a reliable connection you can trust!

Philmac's range of metric compression fittings are the solution for the perfect connection every time thanks to Philmac's unique Slide and Tighten™ technology. Each fitting is pre-assembled and ready to use so there's no need to disassemble the fittings or prepare the pipe prior to use. Simply cut the PE pipe square and slide it into the fitting until you feel the first point of resistance and then tighten the nut to the flange on the body of the fitting.

With Philmac's metric compression fittings, just slide and tighten and the job's done!

No loose components

Grip ring and seal remain captive in the body when the nut is removed.

Visual stop

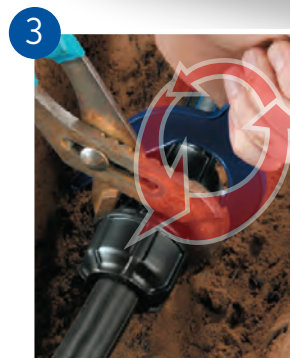
The flange on the body of the fitting acts as a visual cue to indicate when the nut is fully tightened. Once the nut touches the flange on the body, the fitting is in a fully tightened state.



1 Cut the pipe square, there is no need to chamfer or lubricate the pipe.



2 Ensure 2 threads are showing and simply slide the pipe in until the first point of resistance is felt.



3 Tighten the nut by hand, and then with a wrench to the point where the nut is touching the flange on the body of the fitting. Do not tighten beyond this point.

Interchangeability

Safelok and 3G®Metric components are all interchangeable as they share a common body.

Made from Advanced Materials

The fitting is manufactured from lightweight, high performance thermoplastic materials with outstanding impact, UV and corrosion resistance. The materials used are non-toxic and taint free.



Choose from a wide selection of fittings (from 16mm to 63mm) including straight and reducing joiners and tees, elbows, end connectors, caps and blanking plugs.



Slide and Tighten™

Incorporating all the benefits of Slide and Tighten™ technology with 100% positive feedback.

Disassembly

The fitting has been designed so the grip ring is released as the nut is backed off, enabling the pipe to be simply pulled out of the fitting.

Compact Size

The size of Metric fittings has been kept to a minimum making this fitting ideal to use in compact spaces.

Minimal pipe twist

The fitting is designed to minimise pipe twist, reducing the risk of untightening joints.

METRIC COMPRESSION FITTINGS

RXP Code	Description	Philmac Code	Pack Qty	Pressure Rating @ 20°C
Straight Coupling				
PHC20	20mm Metric Straight Coupling	70712200	10	16 Bar
PHC25	25mm Metric Straight Coupling	70713300	10	16 Bar
PHC32	32mm Metric Straight Coupling	70714400	5	16 Bar
PHC40	40mm Metric Straight Coupling	70715500	1	16 Bar
PHC50	50mm Metric Straight Coupling	70716600	1	16 Bar
PHC63	63mm Metric Straight Coupling	70717700	1	16 Bar
PHC75	75mm Metric Straight Coupling	97618800	1	16 Bar
PHC90	90mm Metric Straight Coupling	97619900	1	16 Bar
PHC110	110mm Metric Straight Coupling	97610000	1	16 Bar
Male Coupling				
PHMC20	20mm x ½" Metric Male Coupling	70722100	10	16 Bar
PHMC2020	20mm x ¾" Metric Male Coupling	70722200	10	16 Bar
PHMC25	25mm x ¾" Metric Male Coupling	70723200	10	16 Bar
PHMC2525	25mm x 1" Metric Male Coupling	70723300	10	16 Bar
PHMC32	32mm x 1" Metric Male Coupling	70724300	5	16 Bar
PHMC3220	32mm x ¾" Metric Male Coupling	70724200	5	16 Bar
PHMC3232	32mm x 1¼" Metric Male Coupling	70724400	5	16 Bar
PHMC3240	32mm x 1½" Metric Male Coupling	70724500	5	16 Bar
PHMC40	40mm x 1¼" Metric Male Coupling	70725400	1	16 Bar
PHMC4025	40mm x 1" Metric Male Coupling	70725300	1	16 Bar
PHMC4040	40mm x 1½" Metric Male Coupling	70725500	1	16 Bar
PHMC4050	40mm x 2" Metric Male Coupling	70725600	1	16 Bar
PHMC50	50mm x 1½" Metric Male Coupling	70726500	1	16 Bar
PHMC5050	50mm x 2" Metric Male Coupling	70726600	1	16 Bar
PHMC63	63mm x 2" Metric Male Coupling	70727600	1	16 Bar
PHMC6340	63mm x 1½" Metric Male Coupling	70727500	1	16 Bar
PHMC75	75mm x 2½" Metric Male Coupling	97828700	1	16 Bar
PHMC7550	75mm x 2" Metric Male Coupling	97628600	1	16 Bar
PHMC7575	75mm x 3" Metric Male Coupling	97628800	1	16 Bar
PHMC90	90mm x 3" Metric Male Coupling	97629800	1	16 Bar
PHMC9050	90mm x 2" Metric Male Coupling	97829600	1	16 Bar
PHMC110	110mm x 4" Metric Male Coupling	97620900	1	16 Bar



METRIC COMPRESSION FITTINGS

RXP Code	Description	Philmac Code	Pack Qty	Pressure Rating @ 20°C
Female Coupling				
PHFC20	20mm x ½" Metric Female Coupling	70782100	10	16 Bar
PHFC2020	20mm x ¾" Metric Female Coupling	70782200	10	16 Bar
PHFC25	25mm x ¾" Metric Female Coupling	70783200	10	16 Bar
PHFC2525	25mm x 1" Metric Female Coupling	70783300	10	16 Bar
PHFC32	32mm x 1" Metric Female Coupling	70784300	5	16 Bar
PHFC3232	32mm x 1¼" Metric Female Coupling	70784400	5	16 Bar
PHFC40	40mm x 1¼" Metric Female Coupling	70785400	1	16 Bar
PHFC4040	40mm x 1½" Metric Female Coupling	70785500	1	16 Bar
PHFC50	50mm x 1½" Metric Female Coupling	70786500	1	16 Bar
PHFC5050	50mm x 2" Metric Female Coupling	70786600	1	16 Bar
PHFC63	63mm x 2" Metric Female Coupling	70787600	1	16 Bar
<hr/>				
PHFC75	75mm x 2 ½" Metric Female Coupling	97888700	1	16 Bar
PHFC7550	75mm x 2" Metric Female Coupling	97688600	1	16 Bar
PHFC90	90mm x 3" Metric Female Coupling	97689800	1	16 Bar
PHFC110	110mm x 4" Metric Female Coupling	97680900	1	16 Bar
<hr/>				
Reducing Coupling				
PHRC2520	25mm x 20mm Metric Reducing Coupling	70713200	10	16 Bar
PHRC3220	32mm x 20mm Metric Reducing Coupling	70714200	5	16 Bar
PHRC3225	32mm x 25mm Metric Reducing Coupling	70714300	5	16 Bar
PHRC4032	40mm x 32mm Metric Reducing Coupling	70715400	1	16 Bar
PHRC5032	50mm x 32mm Metric Reducing Coupling	70716400	1	16 Bar
PHRC5040	50mm x 40mm Metric Reducing Coupling	70716500	1	16 Bar
PHRC6340	63mm x 40mm Metric Reducing Coupling	70717500	1	16 Bar
PHRC6350	63mm x 50mm Metric Reducing Coupling	70717600	1	16 Bar
<hr/>				
PHRC7563	75mm x 63mm Metric Reducing Coupling	97618700	1	16 Bar
PHRC9075	90mm x 75mm Metric Reducing Coupling	97619800	1	16 Bar
PHRC11090	110mm x 90mm Metric Reducing Coupling	97610900	1	16 Bar
<hr/>				
Slip Coupling				
PHSC25	25mm Slip Coupling	70701330	1	16 Bar
PHSC32	32mm Slip Coupling	70701440	1	16 Bar
PHSC40	40mm Slip Coupling	70701550	1	16 Bar
PHSC50	50mm Slip Coupling	70701660	1	16 Bar
PHSC63	63mm Slip Coupling	70701770	1	16 Bar



METRIC FITTINGS

METRIC COMPRESSION FITTINGS

RXP Code	Description	Philmac Code	Pack Qty	Pressure Rating @ 20°C
Equal Tee				
PHT20	20mm Metric Equal Tee	70732200	10	16 Bar
PHT25	25mm Metric Equal Tee	70733300	5	16 Bar
PHT32	32mm Metric Equal Tee	70734400	5	16 Bar
PHT40	40mm Metric Equal Tee	70735500	1	16 Bar
PHT50	50mm Metric Equal Tee	70736600	1	16 Bar
PHT63	63mm Metric Equal Tee	70737700	1	16 Bar
PHT75	75mm Metric Equal Tee	97638800	1	16 Bar
PHT90	90mm Metric Equal Tee	97639900	1	16 Bar



Female Tee				
PHFT20	20mm x 1/2" x 20mm Metric Female Tee	70742100	10	16 Bar
PHFT2020	20mm x 3/4" x 20mm Metric Female Tee	70742200	10	16 Bar
PHFT25	25mm x 3/4" x 25mm Metric Female Tee	70743200	5	16 Bar
PHFT2525	25mm x 1" x 25mm Metric Female Tee	70743300	5	16 Bar
PHFT32	32mm x 1" x 32mm Metric Female Tee	70744300	5	16 Bar
PHFT3232	32mm x 1 1/4" x 32mm Metric Female Tee	70744400	5	16 Bar
PHFT40	40mm x 1 1/4" x 40mm Metric Female Tee	70745400	1	16 Bar
PHFT50	50mm x 1 1/2" x 50mm Metric Female Tee	70746500	1	16 Bar
PHFT5050	50mm x 2" x 50mm Metric Female Tee	70746600	1	16 Bar
PHFT63	63mm x 2" x 63mm Metric Female Tee	70747600	1	16 Bar
PHFT75	75mm x 2 1/2" x 75mm Metric Female Tee	97648700	1	16 Bar
PHFT7550	75mm x 2" x 75mm Metric Female Tee	97648600	1	16 Bar
PHFT90	90mm x 3" x 90mm Metric Female Tee	97649800	1	16 Bar



Reducing Tee				
PHRT2520	25 x 20 x 25mm Metric Reducing Tee	70733200	5	16 Bar
PHRT3225	32 x 25 x 32mm Metric Reducing Tee	70734300	5	16 Bar
PHRT4032	40 x 32 x 40mm Metric Reducing Tee	70735400	1	16 Bar
PHRT5040	50 x 40 x 50mm Metric Reducing Tee	70736500	1	16 Bar
PHRT6350	63 x 50 x 63mm Metric Reducing Tee	70737600	1	16 Bar



90° Elbow				
PHE20	20mm Metric 90° Elbow	70752200	10	16 Bar
PHE25	25mm Metric 90° Elbow	70753300	10	16 Bar
PHE32	32mm Metric 90° Elbow	70754400	5	16 Bar
PHE40	40mm Metric 90° Elbow	70755500	1	16 Bar
PHE50	50mm Metric 90° Elbow	70756600	1	16 Bar
PHE63	63mm Metric 90° Elbow	70757700	1	16 Bar
PHE75	75mm Metric 90° Elbow	97658800	1	16 Bar
PHE90	90mm Metric 90° Elbow	97659900	1	16 Bar
PHE110	110mm Metric 90° Elbow	97650000	1	16 Bar



METRIC COMPRESSION FITTINGS

RXP Code	Description	Philmac Code	Pack Qty	Pressure Rating @ 20°C
90° Male Elbow				
PHME20	20mm x ½" Metric 90° Male Elbow	70772100	10	16 Bar
PHME25	25mm x ¾" Metric 90° Male Elbow	70773200	10	16 Bar
PHME32	32mm x 1" Metric 90° Male Elbow	70774300	5	16 Bar
PHME40	40mm x 1¼" Metric 90° Male Elbow	70775400	1	16 Bar
PHME4040	40mm x 1½" Metric 90° Male Elbow	70775500	1	16 Bar
PHME50	50mm x 1½" Metric 90° Male Elbow	70776500	1	16 Bar
PHME63	63mm x 2" Metric 90° Male Elbow	70777600	1	16 Bar



90° Female Elbow				
PHFE20	20mm x ½" Metric 90° Female Elbow	70762100	10	16 Bar
PHFE2020	20mm x ¾" Metric 90° Female Elbow	70762200	10	16 Bar
PHFE25	25mm x ¾" Metric 90° Female Elbow	70763200	10	16 Bar
PHFE2525	25mm x 1" Metric 90° Female Elbow	70763300	10	16 Bar
PHFE32	32mm x 1" Metric 90° Female Elbow	70764300	5	16 Bar
PHFE3220	32mm x ¾" Metric 90° Female Elbow	70764200	5	16 Bar
PHFE40	40mm x 1¼" Metric 90° Female Elbow	70765400	1	16 Bar
PHFE4040	40mm x 1½" Metric 90° Female Elbow	70765500	1	16 Bar
PHFE50	50mm x 1½" Metric 90° Female Elbow	70766500	1	16 Bar
PHFE5050	50mm x 2" Metric 90° Female Elbow	70766600	1	16 Bar
PHFE63	63mm x 2" Metric 90° Female Elbow	70767600	1	16 Bar



PHFE75	75mm x 2 ½" Metric 90° Female Elbow	97868700	1	16 Bar
PHFE7550	75mm x 2" Metric 90° Female Elbow	97668600	1	16 Bar
PHFE9075	90mm x 3" Metric 90° Female Elbow	97669800	1	16 Bar



End Plug				
PHEP32	32mm End Plug	70704900	5	16 Bar
PHEP40	40mm End Plug	70705900	1	16 Bar
PHEP50	50mm End Plug	70706900	1	16 Bar
PHEP63	63mm End Plug	70707900	1	16 Bar



METRIC FITTINGS

METRIC COMPRESSION FITTINGS

Metric Tapping Saddles

RXP Code	Description	Pack Qty	Pressure Rating @ 20°C
2 Bolt Tapping Saddle			
PTS2515	25 x 15mm (25mm x 1/2") 2 Bolt Saddle	1	16 Bar
PTS2520	25 x 20mm (25mm x 3/4") 2 Bolt Saddle	1	16 Bar
PTS3215	32 x 15mm (32mm x 1/2") 2 Bolt Saddle	1	16 Bar
PTS3220	32 x 20mm (32mm x 3/4") 2 Bolt Saddle	1	16 Bar
PTS4015	40 x 15mm (40mm x 1/2") 2 Bolt Saddle	1	16 Bar
PTS4020	40 x 20mm (40mm x 3/4") 2 Bolt Saddle	1	16 Bar
PTS4025	40 x 25mm (40mm x 1") 2 Bolt Saddle	1	16 Bar
PTS5015	50 x 15mm (50mm x 1/2") 2 Bolt Saddle	1	16 Bar
PTS5020	50 x 20mm (50mm x 3/4") 2 Bolt Saddle	1	16 Bar
PTS5025	50 x 25mm (50mm x 1") 2 Bolt Saddle	1	16 Bar
PTS6320	63 x 20mm (63mm x 3/4") 2 Bolt Saddle	1	16 Bar
PTS6325	63 x 25mm (63mm x 1") 2 Bolt Saddle	1	16 Bar
PTS7520	75 x 20mm (75mm x 3/4") 2 Bolt Saddle	1	10 Bar
PTS7525	75 x 25mm (75mm x 1") 2 Bolt Saddle	1	10 Bar



4 Bolt Tapping Saddle			
PTS6320-4	63 x 20mm (60mm x 3/4") 4 Bolt Saddle	1	16 Bar
PTS6325-4	63 x 25mm (63mm x 1") 4 Bolt Saddle	1	16 Bar
PTS6340-4	63 x 40mm (63mm x 1 1/2") 4 Bolt Saddle	1	16 Bar
PTS7520-4	75 x 20mm (75mm x 3/4") 4 Bolt Saddle	1	10 Bar
PTS7525-4	75 x 25mm (75mm x 1") 4 Bolt Saddle	1	10 Bar
PTS7540-4	75 x 40mm (75mm x 1 1/2") 4 Bolt Saddle	1	10 Bar
PTS7550-4	75 x 50mm (75mm x 2") 4 Bolt Saddle	1	10 Bar
PTS9020-4	90 x 20mm (90mm x 3/4") 4 Bolt Saddle	1	10 Bar
PTS9025-4	90 x 25mm (90mm x 1") 4 Bolt Saddle	1	10 Bar
PTS9040-4	90 x 40mm (90mm x 1 1/2") 4 Bolt Saddle	1	10 Bar
PTS9050-4	90 x 50mm (90mm x 2") 4 Bolt Saddle	1	10 Bar
PTS11025-4	110 x 25mm (110mm x 1") 4 Bolt Saddle	1	10 Bar
PTS11040-4	110 x 40mm (110mm x 1 1/2") 4 Bolt Saddle	1	10 Bar
PTS11050-4	110 x 50mm (110mm x 2") 4 Bolt Saddle	1	10 Bar



2 Bolt Spigot Saddle			
PTS6325S	63 x 25mm (63mm x 1") 2 Bolt Spigot Saddle	1	16 Bar

LOW DENSITY FITTINGS

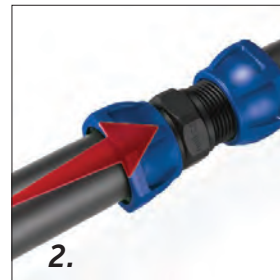


- 15mm to 50mm - 5 - 9.7 Bar (500 - 970 kPa).
- Resistant to pull-out of assembled joint.
- Resistant to leaking when bent.
- Hexagonal surfaces for firm mechanical grip.
- No sharp external edges for a comfortable hand grip.
- High grade engineering material developed for enhanced impact resistance, to ensure strong barb and hard teeth.
- Made from top quality glass reinforced nylon.

INSTALLATION



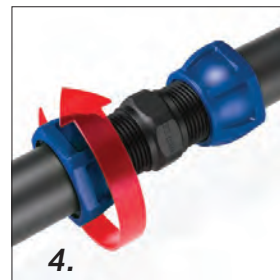
1. Cut pipe ends square with pipe cutters, knife or saw. Deburr and chamfer ends if required. Turn nut clockwise until it stops.



2. Push pipe over nozzle and barbs until it stops. This will conceal the pipe end by the nut.



3. Turn the nut anti-clockwise by hand until it grips the outside of the pipe. The nut teeth will cut into the pipe.



4. Lock the nut tight onto the pipe using a pipe grip, spanner or wrench. This will compress the pipe over the fitting barbs.

Philmac

The connection you can trust.

LOW DENSITY FITTINGS

Naming Convention

LDMT1520

'Primary' (15mm)

'Secondary' (20mm (3/4"))

'Primary' (15mm)

'Primary' (1st number - LDMT**15**20) refers to the nominal bore of polyethylene pipe (mm) in all cases.

'Secondary' (2nd number - LDMT15**20**) varies by product type and refers to either the pipe nominal bore (mm) or BSP thread size (").

LOW DENSITY FITTINGS

RXP Code	Description	Pack Quantity
Straight Coupling		
LDSC15	15mm Straight Coupling	10
LDSC20	20mm Straight Coupling	10
LDSC25	25mm Straight Coupling	10
LDSC32	32mm Straight Coupling	10
LDSC40	40mm Straight Coupling	5
LDSC45	45mm Straight Coupling	5
LDSC50	50mm Straight Coupling	2



Male Coupling		
LDMC15	15mm x 1/2" BSP Male Coupling	10
LDMC20	20mm x 3/4" BSP Male Coupling	10
LDMC25	25mm x 1" BSP Male Coupling	10
LDMC32	32mm x 1 1/4" BSP Male Coupling	10
LDMC40	40mm x 1 1/2" BSP Male Coupling	5
LDMC4550	45mm x 2" BSP Male Coupling	5
LDMC50	50mm x 2" BSP Male Coupling	5



Female Coupling		
LDFC15	15mm x 1/2" BSP Female Coupling	10
LDFC20	20mm x 3/4" BSP Female Coupling	10
LDFC25	25mm x 1" BSP Female Coupling	10
LDFC32	32mm x 1 1/4" BSP Female Coupling	10
LDFC40	40mm x 1 1/2" BSP Female Coupling	5
LDFC50	50mm x 2" BSP Female Coupling	5



Reducing Coupling		
LDRC2015	20mm x 15mm Reducing Coupling	10
LDRC2515	25mm x 15mm Reducing Coupling	10
LDRC2520	25mm x 20mm Reducing Coupling	10
LDRC3220	32mm x 20mm Reducing Coupling	10
LDRC3225	32mm x 25mm Reducing Coupling	10
LDRC4025	40mm x 25mm Reducing Coupling	10
LDRC4032	40mm x 32mm Reducing Coupling	5
LDRC4540	45mm x 40mm Reducing Coupling	5
LDRC5040	50mm x 40mm Reducing Coupling	2



Reducing Male Coupling		
LDRMC1520	15mm x 3/4" BSP Reducing Male Coupling	10
LDRMC1525	15mm x 1" BSP Reducing Male Coupling	10
LDRMC2015	20mm x 1/2" BSP Reducing Male Coupling	10
LDRMC2025	20mm x 1" BSP Reducing Male Coupling	10
LDRMC2032	20mm x 1 1/4" BSP Reducing Male Coupling	10



LOW DENSITY FITTINGS

RXP Code	Description	Pack Quantity
Reducing Male Coupling		
LDRMC2515	25mm x ½" BSP Reducing Male Coupling	10
LDRMC2520	25mm x ¾" BSP Reducing Male Coupling	10
LDRMC2532	25mm x 1¼" BSP Reducing Male Coupling	10
LDRMC3220	32mm x ¾" BSP Reducing Male Coupling	10
LDRMC3225	32mm x 1" BSP Reducing Male Coupling	10



Reducing Female Coupling		
LDRFC1520	15mm x ¾" BSP Reducing Female Coupling	10
LDRFC2015	20mm x ½" BSP Reducing Female Coupling	10
LDRFC2025	20mm x 1" BSP Reducing Female Coupling	10
LDRFC2520	25mm x ¾" BSP Reducing Female Coupling	10
LDRFC2532	25mm x 1¼" BSP Reducing Female Coupling	10
LDRFC3225	32mm x 1" BSP Reducing Female Coupling	10
LDRFC3240	32mm x 1½" BSP Reducing Female Coupling	5
LDRFC4032	40mm x 1¼" BSP Reducing Female Coupling	5
LDRFC4050	40mm x 2" BSP Reducing Female Coupling	5
LDRFC5040	50mm x 1½" BSP Reducing Female Coupling	5



Tee		
LDT15	15mm Tee	10
LDT20	20mm Tee	10
LDT25	25mm Tee	10
LDT32	32mm Tee	10
LDT40	40mm Tee	5
LDT50	50mm Tee	2



Male Tee		
LDMT1520	15mm x ¾" BSP Male Tee	10
LDMT2020	20mm x ¾" BSP Male Tee	10



Female Tee		
LDFT15	15mm x ½" BSP Female Tee	10
LDFT20	20mm x ¾" BSP Female Tee	10
LDFT25	25mm x 1" BSP Female Tee	10
LDFT32	32mm x 1¼" BSP Female Tee	5
LDFT40	40mm x 1½" BSP Female Tee	5
LDFT50	50mm x 2" BSP Female Tee	2



Naming Convention

LDMT1520



'Primary' (1st number - LDMT**15**20) refers to the nominal bore of polyethylene pipe (mm) in all cases.

'Secondary' (2nd number - LDMT15**20**) varies by product type and refers to either the pipe nominal bore (mm) or BSP thread size (").

LOW DENSITY FITTINGS

RXP Code	Description	Pack Quantity
Reducing Tee		
LDRT1520	15mm x 20mm Reducing Tee	10
LDRT2015	20mm x 15mm Reducing Tee	10
LDRT2025	20mm x 25mm Reducing Tee	10
LDRT2515	25mm x 15mm Reducing Tee	10
LDRT2520	25mm x 20mm Reducing Tee	10
LDRT3220	32mm x 20mm Reducing Tee	5
LDRT3225	32mm x 25mm Reducing Tee	5
LDRT4025	40mm x 25mm Reducing Tee	5
LDRT4032	40mm x 32mm Reducing Tee	2
LDRT5032	50mm x 32mm Reducing Tee	2
LDRT5040	50mm x 40mm Reducing Tee	2



90° Bend		
LDB15	15mm 90° Bend	10
LDB20	20mm 90° Bend	10
LDB25	25mm 90° Bend	10
LDB32	32mm 90° Bend	10
LDB40	40mm 90° Bend	5
LDB50	50mm 90° Bend	5



Male 90° Bend		
LDMB15	15mm x 1/2" BSP Male 90° Bend	10
LDMB20	20mm x 3/4" BSP Male 90° Bend	10
LDMB25	25mm x 1" BSP Male 90° Bend	10
LDMB32	32mm x 1 1/4" BSP Male 90° Bend	10
LDMB40	40mm x 1 1/2" BSP Male 90° Bend	5
LDMB50	50mm x 2" BSP Male 90° Bend	5



Long Male 90° Bend		
LDLMB15	15mm x 1/2" BSP Long Male 90° Bend	10
LDLMB20	20mm x 3/4" BSP Long Male 90° Bend	10
LDLMB25	25mm x 1" BSP Long Male 90° Bend	10



Reducing Male 90° Bend		
LDRMB1520	15mm x 3/4" BSP Reducing Male 90° Bend	10
LDRMB2015	20mm x 1/2" BSP Reducing Male 90° Bend	10
LDRMB2025	20mm x 1" BSP Reducing Male 90° Bend	5
LDRMB2520	25mm x 3/4" BSP Reducing Male 90° Bend	5



Long Reducing Male 90° Bend		
LDLRMB1520	15mm x 3/4" BSP Long Reducing Male 90° Bend	10
LDLRMB2015	20mm x 1/2" BSP Long Reducing Male 90° Bend	10
LDLRMB2025	20mm x 1" BSP Long Reducing Male 90° Bend	5
LDLRMB2520	25mm x 3/4" BSP Long Reducing Male 90° Bend	5



LOW DENSITY FITTINGS

LOW DENSITY FITTINGS

RXP Code	Description	Pack Quantity
Female 90° Bend		
LDFB15	15mm x ½" BSP Female 90° Bend	10
LDFB20	20mm x ¾" BSP Female 90° Bend	10
LDFB25	25mm x 1" BSP Female 90° Bend	10
LDFB32	32mm x 1¼" BSP Female 90° Bend	5
LDFB40	40mm x 1½" BSP Female 90° Bend	5
LDFB50	50mm x 2" BSP Female 90° Bend	5



Reducing Female 90° Bend		
LDRFB1520	15mm x ¾" BSP Reducing Female 90° Bend	10
LDRFB2015	20mm x ½" BSP Reducing Female 90° Bend	10
LDRFB2025	20mm x 1" BSP Reducing Female 90° Bend	10
LDRFB2520	25mm x ¾" BSP Reducing Female 90° Bend	10
LDRFB2532	25mm x 1¼" BSP Reducing Female 90° Bend	5
LDRFB3225	32mm x 1" BSP Reducing Female 90° Bend	5
LDRFB3240	32mm x 1½" BSP Reducing Female 90° Bend	5
LDRFB4032	40mm x 1¼" BSP Reducing Female 90° Bend	5
LDRFB4050	40mm x 2" BSP Reducing Female 90° Bend	2
LDRFB5040	50mm x 1¼" BSP Reducing Female 90° Bend	2



Bracket Elbow		
LDDBE15	15mm x ½" BSP Bracket Elbow	10
LDDBE20	20mm x ¾" BSP Bracket Elbow	10



Reducing Bracket Elbow		
LDDBE1520	15mm x ¾" BSP Reducing Bracket Elbow	10
LDDBE2015	20mm x ½" BSP Reducing Bracket Elbow	10



LOW DENSITY FITTINGS

Naming Convention

LDMT1520



'Primary'
(15mm)

'Primary' (1st number - LDMT**15**20) refers to the nominal bore of polyethylene pipe (mm) in all cases.

'Secondary' (2nd number - LDMT15**20**) varies by product type and refers to either the pipe nominal bore (mm) or BSP thread size (").

TROUGH VALVES AND BALLFLOATS

Acetal Float Valves

RXP Code	Description	Philmac Code
EasyPhil - Compact Float Valve		
PH.EASY.FV15L	Easy 15mm Acetal Float Valve	90300200
PH.EASY.FV15LMA	Easy 15mm Acetal Float Valve Medium Arm	90300300
PH.EASY.FV15LSA	Easy 15mm Acetal Float Valve Short Arm	90300400
PH.EASY.FV20L	Easy 20mm Acetal Float Valve	90300220
PH.EASY.FV20LMA	Easy 20mm Acetal Float Valve Medium Arm	90300320
PH.EASY.FV20LSA	Easy 20mm Acetal Float Valve Short	90300420
VersaPhil - Full Flow Acetal Float Valve		
PH.VERSA.FV2520	Versa 20/25mm Acetal FV c/w Adaptor	91470320
PH.VERSA.FV2520SA	Versa 20/25mm Acetal FV Short Arm c/w Adaptor	91470321
PH.VERSA.FV20L	Versa 20mm Acetal FV Long Thread	91470220
PH.VERSA.FV20LSA	Versa 20mm Acetal FV Long Thread Short Arm	91470221
PH.VERSA.FV25L	Versa 25mm Acetal FV Long Thread	91470330
PH.VERSA.FV25LSA	Versa 25mm Acetal FV Long Thread Short Arm	91470331
VersaRX - Full Flow Acetal Trough Valve		
PH.VERSARX.FV20L	VersaRX 20mm Acetal FV Long Thread	91470201
PH.VERSARX.FV20LSA	VersaRX 20mm Acetal FV Long Thread Short Arm	91470211
PH.VERSARX.FV25L	VersaRX 25mm Acetal FV Long Thread	91470301
PH.VERSARX.FV25LSA	VersaRX 25mm Acetal FV Long Thread Short Arm	91470311
Acetal Reservoir Valve - Dual Float		
PH.TANK.FV32SL	Tank 32mm RESV Single Arm	91470400
PH.TANK.FV40SL	Tank 40mm RESV Single Arm	91470500
PH.TANK.FV50SL	Tank 50mm RESV Single Arm	91470600
PH.TANK.FV32DL	Tank 32mm RESV Dual Arm	91470410
PH.TANK.FV40DL	Tank 40mm RESV Dual Arm	91470510
PH.TANK.FV50DL	Tank 50mm RESV Dual Arm	91470610
OptiPhil - Diaphragm Valve		
PH.OPTI.FV25	20/25/32 Philmac Diaphragm Valve	93600100



TROUGH VALVES AND BALLFLOATS

NB: Long Threads are BSP Parallel

TROUGH VALVES AND BALLFLOATS

Brass Trough Valves

RXP Code	Description	Philmac Code
UltraPhil - Brass Float Valve		
PH.ULTRA.FV10SPTSA	Ultra 10mm Brass Short Arm Short PT Float Valve	90300500
PH.ULTRA.FV15SPTMA	Ultra 15mm Brass Med Arm Short PT Float Valve	90303100
PH.ULTRA.FV15L	Ultra 15mm Brass Long Thread Float Valve	90301300
PH.ULTRA.FV15LMA	Ultra 15mm Brass Long Thread Med Arm Float Valve	90301500
PH.ULTRA.FV15MA	Ultra 15mm Brass Medium Arm Float Valve	90300700
PH.ULTRA.FV20	Ultra 20mm Brass Float Valve	90304400
PH.ULTRA.FV25	Ultra 25mm Brass Float Valve	90304600
PH.ULTRA.FV32	Ultra 32mm Brass Float Valve* 3/8" Arm Thread	90304800
PH.ULTRA.FV40	Ultra 40mm Brass Float Valve* 3/8" Arm Thread	90304900
PH.ULTRA.FV50	Ultra 50mm Brass Float Valve* 1/2" Arm Thread	90305000



MegaPhil - Brass Hi-Flo - 1/2" BSW Arm Thread		
PH.MEGA.FV25	Mega 25mm Brass Float Valve Hi-Flo	90322300
PH.MEGA.FV25SA	Mega 25mm Brass Short Arm Float Valve Hi-Flo	90322310
PH.MEGA.FV32	Mega 32mm Brass Float Valve Hi-Flo	90322400
PH.MEGA.FV32SA	Mega 32mm Brass Short Arm Float Valve Hi-Flo	90322410
PH.MEGA.FV40	Mega 40mm Brass Float Valve Hi-Flo LP/VLP	90322520*
PH.MEGA.FV40SA	Mega 40mm Brass Short Arm Float Valve Hi-Flo LP/VLP	90322530*
PH.MEGA.FV50	Mega 50mm Brass Float Valve Hi-Flo LP/VLP	90322620*
PH.MEGA.FV50SA	Mega 50mm Brass Short Arm Float Valve Hi-Flo LP/VLP	90322630*



* Requires TURBO 9" Ball Float

Brass High Pressure / Low Pressure Trough Valve	
STV15SS	15mm Brass High Pressure Valve - Stainless Seat
STV20SS	20mm Brass High Pressure Valve - Stainless Seat
STV15SSL	15mm Brass Low Pressure Valve - Stainless Seat
STV20SSL	20mm Brass Low Pressure Valve - Stainless Seat



Brass Full Flow Trough Valve	
BTV69.20	20mm Full Flow Brass Trough Valve
BTV69.25	25mm Full Flow Brass Trough Valve



Brass Hi/Lo Pressure Valve	
BTV220.15SS	15mm Brass Hi/Lo Pressure Valve S/S Seat
BTV220.20SS	20mm Brass Hi/Lo Pressure Valve S/S Seat



TROUGH VALVES AND BALLFLOATS

TROUGH VALVES AND BALLFLOATS

Spare Parts

RXP Code	Description
Spare Parts for STV, BTV69 and BTV220 series	
TVP.SSL	Long Lever to suit High and Low Trough Valves (STV Series)
TVP.L69	Lever to suit Fullflow (BTV Series)
TVP.ECW	Fullflow Endcap Washer (BTV69 Series)
TVP.POR	Fullflow Plunger with O ring (BTV69 series)
TVP.W220	Seat Washer for High and Low Pressure Valves (STV Series)
TVP.PB	Brass Plunger for High and Low Pressure (STV Series)
Spare Parts for RXPTV (while stocks last)	
RXPTV.ECW	Trough Valve Rubber Washer for End Cap
RXPTV.RWL20	20mm Rubber Washer for Long Thread 20mm PTV
RXPTV.RWL25	25mm Rubber Washer for Long Thread 25mm PTV
RXPTV.SP	Split Pin T304 4x16mm
RXPTV.P	Trough Valve Plunger and O ring
RXPTV.EC	Trough Valve End Cap with Washer

TROUGH VALVES AND BALLFLOATS

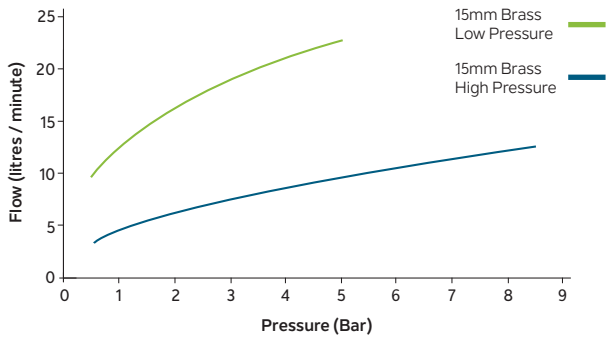
Ball Floats and Nipples

_RXP Code	Description	Philmac Code
Ball Floats and Nipples		
PH.FV.BF80W	Float Plastic 80mm Hot Water White	90489310
PH.FV.BF100W	Float Plastic 100mm Hot Water White	90489410
PH.FV.BF80	Float Plastic 80mm Black	90489300
PH.FV.BF100	Float Plastic 100mm Black	90489400
PH.FV.BF140	Float Plastic 140mm Black	90489500
PH.FV.BF150	Float Plastic 150mm Black	90489600
PH.FV.BF200	Float Plastic 200mm x (3/8" Thread) Black	90489800
PH.FV.BF200ORG	Float Plastic 200mm x (1/2" Thread) Orange	90489820
PH.FV.BF225ORG	Float Plastic 225mm x (1/2" Thread) Orange	90489920
PH.FV.BF240	Float Plastic 240mm x (1/2" Thread) TURBO	90489020
<hr/>		
RXBF115	115mm Black Ball Float	
RXBF115/0	115mm Orange Ball Float	
RXBF150	150mm Black Ball Float	
RXBF150/0	150mm Orange Ball Float	
<hr/>		
TV.CN	Cord and Nipple	

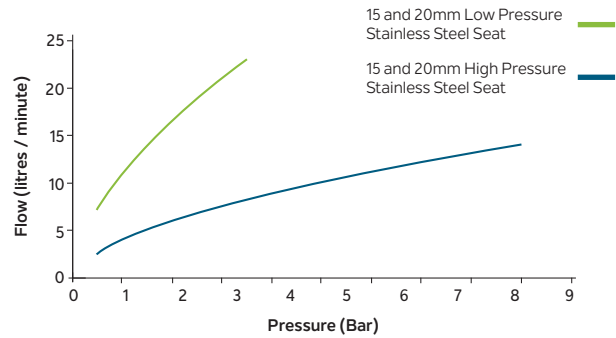


All threads 5/16" BSW unless noted.

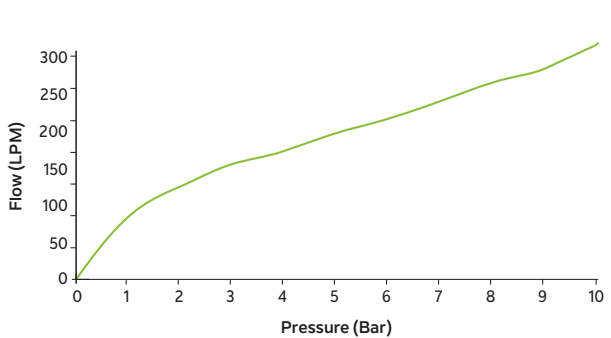
STV 15 - Brass Seat



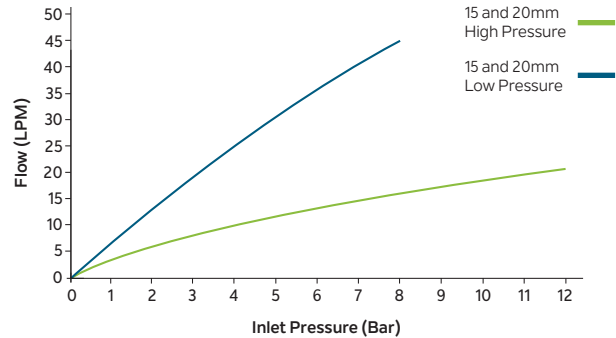
STV 15 & 20mm - Stainless Steel Seat



BTV69 - 20 and 25mm



BTV69 - 20 and 25mm



TROUGH VALVES AND BALLFLOATS

TROUGH VALVES AND BALLFLOATS

Technical Data

UltraPHIL Brass Float Valve

Product Code	Inlet Size	Thread Type ¹	Arm Length	Arm Thread	Recommended Float Size ²	
					AS1910 ³	Agricultural ⁴
PH.ULTRA.FV10SPTSA	3/8" BSP	Short parallel (15 mm)	125 mm	5/16" BSW	4" (100)	4" (100)
PH.ULTRA.FV15MA	1/2" BSP	Tapered	200 mm	5/16" BSW	4" (100)	4" (100)
PH.ULTRA.FV15L	1/2" BSP	Long parallel (38 mm)	250 mm	5/16" BSW	4" (100)	4" (100)
PH.ULTRA.FV15LMA	1/2" BSP	Long parallel (38 mm)	200 mm	5/16" BSW	4" (100)	4" (100)
PH.ULTRA.FV15LMA.ADAPT	1/2" BSP	Long parallel (38 mm)	200 mm	5/16" BSW	4" (100)	4" (100)
PH.ULTRA.FV15SPTMA	1/2" BSP	Short parallel (25 mm)	200 mm	5/16" BSW	4" (100)	4" (100)
PH.ULTRA.FV20	3/4" BSP	Tapered	250 mm	5/16" BSW	6" (150)	6" (150)
PH.ULTRA.FV25	1" BSP	Tapered	355 mm	5/16" BSW	6" (150)	6" (150)
PH.ULTRA.FV32	1-1/4" BSP	Tapered	355 mm	3/8" BSW	8" (200)	8" (200)
PH.ULTRA.FV40	1-1/2" BSP	Tapered	425 mm	3/8" BSW	8" (200)	8" (200)
PH.ULTRA.FV50	2"	Tapered	455 mm	1/2" BSW	10" (255) CU	9" (225)

VersaPHIL Acetal Float Valves

Product Code	Inlet Size	Thread Type ¹	Arm Length	Arm Thread	Recommended Float Size ²
PH.VERSA.FV2520	1" & 3/4" BSP	Tapered & Tapered	300 mm	5/16" BSW	6" (150)
PH.VERSA.FV2520SA	1" & 3/4" BSP	Tapered & Tapered	165 mm	5/16" BSW	6" (150)
PH.VERSA.FV20L	1" & 3/4" BSP	Tapered & Long	300 mm	5/16" BSW	6" (150)
PH.VERSA.FV20LSA	1" & 3/4" BSP	Tapered & Long	165 mm	5/16" BSW	6" (150)
PH.VERSA.FV25L	1" & 1" BSP	Tapered & Long	300 mm	5/16" BSW	6" (150)
PH.VERSA.FV25LSA	1" & 1" BSP	Tapered & Long	165 mm	5/16" BSW	6" (150)

VersaRX Acetal Float Valves

Product Code	Inlet Size	Thread Type ¹	Arm Length	Arm Thread	Recommended Float Size ²
PH.VERSARX.FV20L	3/4" BSP	Long parallel	300 mm	5/16" BSW	6" (150)
PH.VERSARX.FV20LSA	3/4" BSP	Long parallel	170 mm	5/16" BSW	6" (150)
PH.VERSARX.FV25L	1" BSP	Long parallel	300 mm	5/16" BSW	6" (150)
PH.VERSARX.FV25LSA	1" BSP	Long parallel	170 mm	5/16" BSW	6" (150)

EasyPHIL Acetal Float Valves

Product Code	Inlet Size	Thread Type ¹	Arm Length	Arm Thread	Recommended Float Size ²	
					AS1910 ³	Agricultural ⁴
PH.EASY.FV15L	1/2" BSP	Long parallel	250 mm	5/16" BSW	4" (100)	4" (100)
PH.EASY.FV15LMA	1/2" BSP	Long parallel	200 mm	5/16" BSW	4" (100)	4" (100)
PH.EASY.FV15LSA	1/2" BSP	Long parallel	125 mm	5/16" BSW	-	4" (100)
PH.EASY.FV20L	3/4" BSP	Long parallel	250 mm	5/16" BSW	4" (100)	4" (100)
PH.EASY.FV20LMA	3/4" BSP	Long parallel	200 mm	5/16" BSW	4" (100)	4" (100)
PH.EASY.FV20LSA	3/4" BSP	Long parallel	125 mm	5/16" BSW	-	4" (100)

1. All parallel threads have a body back nut fitted except the PH.ULTRA.FV10SPTSA (3/8").
2. Recommended floats are plastic unless designated otherwise. CU = copper.
3. To comply with AS1910 valves the recommended float size provides a shut-off pressure of 1400 kPa
4. For agricultural purposes the recommended float size achieves at least a shut-off pressure of 1250 kPa

IRRIGATION FITTINGS AND SPRINKLERS

- Sharp-edged barbs create leak-proof seal.
- Strong, superior quality.
- UV stabilised materials for long life.
- Easy to install, reducing time and cost on installation.
- Used in conjunction with low pressure poly pipe.
- Suitable for agricultural, horticultural, vineyard and landscape applications.

RXP Code	Description	Pack Quantity
Connector		
RXLC4.4	4x4 Lateral Connector	100
RXLC4.7	4x7 Lateral Connector	100
RXLC7.7	7x7 Lateral Connector	100
Barbed Joiner		
RXLJ13	13mm Barbed Lateral Joiner	10, 50, 100
RXLJ16	16mm Barbed Lateral Joiner	10, 20, 50, 100
RXLJ19	19mm Barbed Lateral Joiner	10, 20, 50, 100
RXLJ25	25mm Barbed Lateral Joiner	10, 20, 50, 100
Take-Off Connector and Grommet		
RXLTOC13	13mm Take-Off Connector and Grommet	10, 20, 50, 100
RXLTOC16	16mm Take-Off Connector and Grommet	10, 20, 50, 100
RXLTOC19	19mm Take-Off Connector and Grommet	10, 20, 50, 100
End Closer		
RXLEC13	13mm Lateral End Closer	10, 20, 50, 100
RXLEC16	16mm Lateral End Closer	10, 20, 50, 100
RXLEC19	19mm Lateral End Closer	10, 20, 50, 100
BSP Threaded Connector		
RXLTC13.15	13mm x 15mm BSP Threaded Connector	10
RXLTC16.15	16mm x 15mm BSP Threaded Connector	10
RXLTC19.15	19mm x 15mm BSP Threaded Connector	10
RXLTC19.20	19mm x 20mm BSP Threaded Connector	10
RXLTC25.25	25mm x 25mm BSP Threaded Connector	10
Reducing Joiner		
RXLRJ1613	16mm x 13mm Reducing Lateral Joiner	10, 20, 50, 100
RXLRJ1913	19mm x 13mm Reducing Lateral Joiner	10, 20, 50, 100
RXLRJ1916	19mm x 16mm Reducing Lateral Joiner	10, 20, 50, 100
RXLRJ2513	25mm x 13mm Reducing Lateral Joiner	10, 20, 50, 100
RXLRJ2516	25mm x 16mm Reducing Lateral Joiner	10, 20, 50, 100
RXLRJ2519	25mm x 19mm Reducing Lateral Joiner	10, 20, 50, 100
Barbed Tee		
RXLT13	13mm Barbed Lateral Tee	10, 20, 50, 100
RXLT16	16mm Barbed Lateral Tee	10, 20, 50, 100
RXLT19	19mm Barbed Lateral Tee	10, 20, 50, 100
RXLT25	25mm Barbed Lateral Tee	10, 20, 50, 100



IRRIGATION FITTINGS AND SPRINKLERS

RXP Code	Description	Pack Quantity
Reducing Tee		
RXLRT1613	16mm x 13mm Reducing Lateral Tee	100
RXLRT1913	19mm x 13mm Reducing Lateral Tee	100
RXLRT1916	19mm x 16mm Reducing Lateral Tee	100
RXLRT2513	25mm x 13mm Reducing Lateral Tee	25
RXLRT2516	25mm x 16mm Reducing Lateral Tee	25
RXLRT2519	25mm x 19mm Reducing Lateral Tee	25
Increasing Tee		
RXLIT1316	13mm x 16mm Lateral Increasing Tee	25
RXLIT1319	13mm x 19mm Lateral Increasing Tee	20
RXLIT1619	16mm x 19mm Lateral Increasing Tee	25
RXLIT1925	19mm x 25mm Lateral Increasing Tee	25
BSP Threaded Male Tee		
RXLTMT13	13 x 15mm BSP Lateral Threaded Male Tee	25
RXLTMT19	19 x 15mm BSP Lateral Threaded Male Tee	25
RXLTMT25	25 x 20mm BSP Lateral Threaded Male Tee	25
BSP Threaded Female Tee		
RXLTFT13	13 x 15mm BSP Lateral Threaded Female Tee	20
RXLTFT19	19 x 15mm BSP Lateral Threaded Female Tee	25
RXLTFT25	25 x 15mm BSP Lateral Threaded Female Tee	25
90° Elbow		
RXLE13	13mm Lateral 90° Elbow	10, 20, 50, 100
RXLE16	16mm Lateral 90° Elbow	10, 20, 50, 100
RXLE19	19mm Lateral 90° Elbow	10, 20, 50, 100
RXLE25	25mm Lateral 90° Elbow	25
BSP Threaded Male & Female 90° Elbows		
RXLTE19M	19 x 15mm BSP Threaded Male 90° Elbow	25
RXLTE25M	25 x 20mm BSP Threaded Male 90° Elbow	25
RXLTE13F	13 x 15mm BSP Threaded Female 90° Elbow	25
RXLTE19F	19 x 15mm BSP Threaded Female 90° Elbow	25
Top Hat Grommett		
RXLTHG13	13mm Top Hat Grommett	50
RXLTHG16	16mm Top Hat Grommett	100



IRRIGATION FITTINGS AND SPRINKLERS

RXP Code	Description	Pack Quantity
Double Flange Grommett		
RXLDFG13	13mm Double Flange Grommett (Suitable for 13mm take off connector)	100
RXLDFG16.19	16/19mm Double Flange Grommett (Suitable for 16 and 19mm take off connector)	10, 20, 50, 100
Goof and Lateral Plugs		
RXLGP	Goof Plug - Dripper Dome Head	100
RXLP4	4mm Lateral Plug	100
RXLP7	7mm Lateral Plug	100
Cray Clips		
RXLCC15	Cray Clip To Suit 13mm Lateral for Single and Double Barbed Fittings	100
RXLCC19	Cray Clip To Suit 16mm Lateral for Single and Double Barbed Fittings	100
RXLCC23	Cray Clip To Suit 19mm Lateral for Single and Double Barbed Fittings	100
RXLCC29	Cray Clip To Suit 25mm Lateral for Single and Double Barbed Fittings	100
Screwed Riser Adaptor		
RXLRA	4mm Screwed Riser Adaptor	100
Nut and Tail		
RXLNT13.20	13mm Tail x 20mm (¾" BSP) Nut	10
RXLNT13.25	13mm Tail x 25mm (1" BSP) Nut	25
RXLNT16.20	16mm Tail x 20mm (¾" BSP) Nut	10
RXLNT16.25	16mm Tail x 25mm (1" BSP) Nut	25
RXLNT19.20	19mm Tail x 20mm (¾" BSP) Nut	25
RXLNT19.25	19mm Tail x 25mm (1" BSP) Nut	25
RXLNT25.25	25mm Tail x 25mm (1" BSP) Nut	25
Inline Filter		
RXLIF13	13mm Inline Filter, Black Body	1
RXLIF16	16mm Inline Filter, Black Body	1
RXLIF19	19mm Inline Filter, Black Body	1
RXLIF25	25mm Inline Filter, Black Body	1
RXLIFC	Cartridge for Inline Filters (fits 13mm - 25mm)	1
End Plug		
RXLEP13	13mm Lateral End Plug	25
RXLEP16	16mm Lateral End Plug	25
RXLEP19	19mm Lateral End Plug	25
RXLEP25	25mm Lateral End Plug	25



IRRIGATION FITTINGS
AND SPRINKLERS

IRRIGATION FITTINGS AND SPRINKLERS

RXP Code	Description	Pack Quantity
Pipe Hole Punch		
RXLHP	Lateral Pipe Hole Punch	25
T-Tape Connector x T-Tape		
RXLTTTC13	T-Tape Connector 13mm x T-Tape	50
RXLTTTC16	T-Tape Connector 16mm x T-Tape	50
T-Tape Tee x T-Tape		
RXLTTT13	T-Tape Tee 13mm x T-Tape	50
T-Tape x T-Tape Joiner		
RXLTTJ	T-Tape x T-Tape Joiner	50
Quick Action Shut Off Valve		
RXLSOV13	13mm Quick Action Shut Off Valve	20
RXLSOV16	16mm Quick Action Shut Off Valve	20
RXLSOV19	19mm Quick Action Shut Off Valve	20
RXLSOV25	25mm Quick Action Shut Off Valve	20
Self-Compensating Dripper		
RXLD2SC	2.Lph Self-Compensating Dripper	100
RXLD4SC	4.Lph Self-Compensating Dripper	100

Self-compensating drippers will only ever allow 2 or 4 litres per hour regardless of any fluctuations in pressure in the line - therefore used when tight control of watering levels are required.

Non-Compensating Dripper		
RXLD2NC	2.Lph Non-Compensating Dripper	100
RXLD4NC	4.Lph Non-Compensating Dripper	100

Non-compensating drippers will fluctuate in flow if there is extra pressure in the line.

Sprinkler Stakes		
RXLSTM5.55	5mm Threaded Stake complete with Micro Sprinkler - 55 Lph and 60mm x 4mm tube and barb	1
RXNSS	Black Sprinkler Stake suitable for use with 4/7mm tubing	1
RXLST5	5mm Threaded Stake only	1
RXLSST	Sprinkler Stake for Dan Sprinklers only	1



IRRIGATION FITTINGS AND SPRINKLERS

Sprinklers

- Durable and reliable with excellent distribution uniformity.
- Suitable for vegetables, ornamentals, landscaped gardens, commercial tree and vine crops.

RXP Code	Description	Pack Quantity
Micro Sprinklers		
RXLMS.55	Micro Sprinkler only - 55 Lph (White)	50
RXLMS.90	Micro Sprinkler only - 90 Lph (Green)	50
Micro Flow Sprinklers		
RXLMFS35	Micro Flow Sprinkler - 35 Lph (Brown)	50
RXLMFS42	Micro Flow Sprinkler - 42 Lph (Blue)	50
RXLMFS76	Micro Flow Sprinkler - 75 Lph (Green)	50
RXLMFS120	Micro Flow Sprinkler - 120 Lph (Red)	50
Microjets		
RXLMJ90	Microjet Blue Base 42 Lph @ 150kpa 2.4m radius - 90 degrees	100
RXLMJ180	Microjet Blue Base 42 Lph @ 150kpa 2.0m radius - 180 degrees	100
RXLMJ360	Microjet Blue Base 42 Lph @ 150kpa 5.8m diameter 18 holes - 360 degrees	100



Filtration

- Reinforced nylon injection moulded body.
- Nominal 10 bar pressure rating.
- Metal reinforced 1" female outlet, needs to be drilled to make "live".
- 2" BSP threaded connections.
- Available with 130 micron disc.
- Extendable spline on frame for manual disc cleaning.

2" BSP Disc Filters	
FILT.50DISC.130	50mm 2" BSP Disc Filter - 130 Micron
FILT.50DISC.130.LONG	50mm 2" BSP Disc Filter Long Body - 130 Micron

- High resistance thermoplastic injection moulded body.
- Nominal 10 bar pressure rating.
- ¾", 1", 1¼" and 1½" BSP threaded connections.
- 1¼" and 1½" need to be drilled to make "live".
- Available with screen or disc, 100 micron or 130 micron.

BSP Disc Filters	
FILT.20DISC.130	20mm ¾" BSP Disc Filter - 130 Micron
FILT.25DISC.130	25mm 1" BSP Disc Filter - 130 Micron
FILT.32DISC.130	32mm 1¼" BSP Disc Filter - 130 Micron
FILT.40DISC.130	40mm 1½" BSP Disc Filter - 130 Micron
FILT.20DISC.100	20mm ¾" BSP Disc Filter - 100 Micron
FILT.25DISC.100	25mm 1" BSP Disc Filter - 100 Micron
FILT.32DISC.100	32mm 1¼" BSP Disc Filter - 100 Micron
FILT.40DISC.100	40mm 1½" BSP Disc Filter - 100 Micron



130 Micron



100 Micron

IRRIGATION FITTINGS AND SPRINKLERS

IRRIGATION FITTINGS AND SPRINKLERS

RXP Code	Description
BSP Screen Filters	
FILT.20SCREEN.130	20mm ¾" BSP Screen Filter - 130 Micron
FILT.25SCREEN.130	25mm 1" BSP Screen Filter - 130 Micron
FILT.32SCREEN.130	32mm 1¼" BSP Screen Filter - 130 Micro
FILT.40SCREEN.130	40mm 1½" BSP Screen Filter - 130 Micro
FILT.20SCREEN.100	20mm ¾" BSP Filter - Screen Blue 100 Micron
FILT.25SCREEN.100	25mm 1" BSP Screen Filter - 100 Micron
FILT.32SCREEN.100	32mm 1¼" BSP Screen Filter - 100 Micro
FILT.40SCREEN.100	40mm 1½" BSP Screen Filter - 100 Micro



130 Micron



100 Micron

Replacement Discs for Filters	
FILT.DISC.2025.130	20-25mm ¾" - 1" Replacement Disc - 130 Micron
FILT.DISC.3240.130	32-40mm 1¼" - 1½" Replacement Disc - 130 Micron
FILT.DISC.2025.100	20-25mm ¾" - 1" Replacement Disc - 100 Micron
FILT.DISCOC.3240.100	32-40mm 1¼" - 1½" Replacement Disc - 100 Micron



130 Micron



100 Micron

Replacement Screens for Filters	
FILT.SCREEN.2025.130	20-25mm ¾" - 1" Replacement Screen - 130 Micron
FILT.SCREEN.3240.130	32-40mm 1¼" - 1½" Replacement Screen - 130 Micron
FILT.SCREEN.2025.100	20-25mm ¾" - 1" Replacement Screen - 100 Micron
FILT.SCREEN.3240.100	32-40mm 1¼" - 1½" Replacement Screen - 100 Micron



130 Micron



100 Micron

VALVES AND GAUGES

Pressure Valves

- The use of air release valves in hydraulic pipelines is necessary and one of the most important safety elements in all water and irrigation installations. They are used to prevent negative pressures in the network and over pressure generated by the presence of air in the pipeline.

RXP Code	Description	Kpa/Psi Pressure Rating @ 20°C
Vacuum Breaker		
RXVB15	15mm (½") Vacuum Breaker	
RXVB20	20mm (¾") Vacuum Breaker	



Air Release Valve		
X294.20.ARV	20mm (¾") BSP X-294 Air Release Valve	1600/232
X294.25.ARV	25mm (1") BSP X-294 Air Release Valve	1600/232
X294.40.ARV	40mm (1½") BSP X-294 Air Release Valve	1600/232
X294.50.ARV	50mm (2") BSP X-294 Air Release Valve	1600/232



Air Release Double Acting Valve		
X295.20.ARVD	20mm (¾") BSP X-295 Double Acting Valve	1600/232
X295.25.ARVD	25mm (1") BSP X-295 Double Acting Valve	1600/232
X295.40.ARVD	40mm (1½") BSP X-295 Double Acting Valve	1600/232
X295.50.ARVD	50mm (2") BSP X-295 Double Acting Valve	1600/232



Pressure Reducing Valve		
RXPRV15	15mm Pressure Reducing Valve	1516/220
RXPRV20	20mm Pressure Reducing Valve	1516/220
RXPRV25	25mm Pressure Reducing Valve	1516/220
RXPRV32	32mm Pressure Reducing Valve	1516/220
RXPRV40	40mm Pressure Reducing Valve	1516/220
RXPRV50	50mm Pressure Reducing Valve	1516/220



Pressure Reducing Valve Working Pressure:- Inlet up to 25 bar, Outlet 0.5 - 6 bar

K-Line Pressure Reducing Valve		
KLPRV40.30	1½" BSP Pressure Reducing Valve - 30M Spring	
KLPRV40.35	1½" BSP Pressure Reducing Valve - 35M Spring	
KLPRV40.40	1½" BSP Pressure Reducing Valve - 40M Spring	
KLPRV40.45	1½" BSP Pressure Reducing Valve - 45M Spring	



Refer to K-Line Technical Manual for specifications of these pressure reducing valves.
K-Line Pressure Reducing Valve Working Pressure:- Inlet up to 10 bar, Outlet 3 - 4.5 bar

VALVES AND GAUGES

VALVES AND GAUGES

Plastic Valves

RXP Code	Description	Kpa/Psi Pressure Rating @ 20°C
Plastic Check Valve		
ACV15	15mm Plastic Check Valve	1600/230
ACV20	20mm Plastic Check Valve	1600/230
ACV25	25mm Plastic Check Valve	1600/230
ACV32	32mm Plastic Check Valve	1600/230
ACV40	40mm Plastic Check Valve	1600/230
ACV50	50mm Plastic Check Valve	1600/230
Plastic Check Valve Filter Screen		
AFS20	20mm Plastic Check Valve Filter Screen	
AFS25	25mm Plastic Check Valve Filter Screen	
AFS32	32mm Plastic Check Valve Filter Screen	
AFS40	40mm Plastic Check Valve Filter Screen	
AFS50	50mm Plastic Check Valve Filter Screen	
FOOT VALVES - Please order the check valve and screen as above - sold as separate units.		
Air Vacuum Break Valve		
AVB	Plastic Air Vacuum Break Valve	
AVBC	Plastic Air Vacuum Break Valve Cap	
Quick Coupling Valve		
PQRV20RK	20mm (¾") Key For Quick Coupling Valve	
PQRV20C	20mm (¾") Quick Coupling Valve Body	
PQRV25C	25mm (1") Quick Coupling Valve Body	
To order complete unit order body and key.		
Plastic Angle Seat Valve		
PASV25	25mm (1") Plastic Angle Seat Valve	
PASV32	32mm (1¼") Plastic Angle Seat Valve	
PASV40	40mm (1½") Plastic Angle Seat Valve	
PASV50	50mm (2") Plastic Angle Seat Valve	
Philmac Ball Valve		
RXBV15	15mm Philmac Ball Valve	1600/230
RXBV20	20mm Philmac Ball Valve	1600/230
RXBV25	25mm Philmac Ball Valve	1600/230
RXBV32	32mm Philmac Ball Valve	1600/230
RXBV40	40mm Philmac Ball Valve	1600/230
RXBV50	50mm Philmac Ball Valve	1600/230



VALVES AND GAUGES

RXP Code	Description	Kpa/Psi Pressure Rating @ 20°C
Plastic Ball Valve		
RXPBV15	15mm Plastic Ball Valve	690/100
RXPBV20	20mm Plastic Ball Valve	690/100
RXPBV25	25mm Plastic Ball Valve	690/100
RXPBV32	32mm Plastic Ball Valve	690/100
RXPBV40	40mm Plastic Ball Valve	690/100
RXPBV50	50mm Plastic Ball Valve	690/100
RXPBV80	80mm Plastic Ball Valve	690/100
RXPBV100	100mm Plastic Ball Valve	690/100



Plastic Stop Valve		
RXPSV20	20mm Plastic Stop Valve	1000/145
RXPSV25	25mm Plastic Stop Valve	1000/145



Brass Gate Valves and Taps

Female/Female Brass Gate Valve		
RXBGV15	15mm Female/Female Brass Gate Valve	1378/200
RXBGV20	20mm Female/Female Brass Gate Valve	1378/200
RXBGV25	25mm Female/Female Brass Gate Valve	1378/200
RXBGV32	32mm Female/Female Brass Gate Valve	1378/200
RXBGV40	40mm Female/Female Brass Gate Valve	1378/200
RXBGV50	50mm Female/Female Brass Gate Valve	1378/200
RXBGV65	65mm Female/Female Brass Gate Valve	1378/200
RXBGV80	80mm Female/Female Brass Gate Valve	1378/200
RXBGV100	100mm Female/Female Brass Gate Valve	1378/200



Male/Female Brass Gate Valve		
RXBGV15M&F	15mm Male/Female Brass Gate Valve	1378/200
RXBGV20M&F	20mm Male/Female Brass Gate Valve	1378/200



Male/Male Brass Gate Valve		
RXBGV15M&M	15mm Male/Male Brass Gate Valve	1378/200
RXBGV20M&M	20mm Male/Male Brass Gate Valve	1378/200



Hose Tap Male		
RXBHT15	15mm Hose Tap Male	
RXBHT20	20mm Hose Tap Male	



Stainless Steel Hose		
RXSSH.200	15mm Stainless Steel Hose x 200mm	
RXSSH.300	15mm Stainless Steel Hose x 300mm	
RXSSH.400	15mm Stainless Steel Hose x 400mm	
RXSSH.500	15mm Stainless Steel Hose x 500mm	



VALVES AND GAUGES

VALVES AND GAUGES

RXP Code	Description	Kpa/Psi Pressure Rating @ 20°C
Washing Machine Taps		
RXWMT15	15mm Angled Washing Machine Tap	1600/232
RX3WMT15	15mm 3-Way Washing Machine Tap	1600/232
RXDWT15	15mm Dishwashing Machine Tap	1600/232
RXWMB15	15mm Washing Machine Bibcock	800/116



Metal Ball Valves - Short Thread - Full Flow (Basic Type)

Metal Ball Valve - Short Thread		
RXBVS08	8mm Metal Ball Valve Short Thread	5000/725
RXBVS10	10mm Metal Ball Valve Short Thread	5000/725
RXBVS15	15mm Metal Ball Valve Short Thread	5000/725
RXBVS20	20mm Metal Ball Valve Short Thread	4000/580
RXBVS25	25mm Metal Ball Valve Short Thread	4000/580
RXBVS32	32mm Metal Ball Valve Short Thread	3000/435
RXBVS40	40mm Metal Ball Valve Short Thread	3000/435
RXBVS50	50mm Metal Ball Valve Short Thread	2500/363
RXBVS65	65mm Metal Ball Valve Short Thread	1800/261
RXBVS80	80mm Metal Ball Valve Short Thread	1600/232
RXBVS100	100mm Metal Ball Valve Short Thread	1400/203



Male/Female Metal Ball Valve		
RXBVS08MF	8mm Male/Female Metal Ball Valve	5000/725
RXBVS10MF	10mm Male/Female Metal Ball Valve	5000/725
RXBVS15MF	15mm Male/Female Metal Ball Valve	5000/725
RXBVS20MF	20mm Male/Female Metal Ball Valve	4000/580
RXBVS25MF	25mm Male/Female Metal Ball Valve	4000/580



Male/Male Metal Ball Valve		
RXBVS15MM	15mm Male/Male Metal Ball Valve	5000/725
RXBVS20MM	20mm Male/Male Metal Ball Valve	4000/580



Male Female 'T' Handle Metal Ball Valve		
RXBVS08MF.T	8mm M/F 'T' Handle Metal Ball Valve	5000/725
RXBVS10MF.T	10mm M/F 'T' Handle Metal Ball Valve	5000/725
RXBVS15MF.T	15mm M/F 'T' Handle Metal Ball Valve	5000/725
RXBVS20MF.T	20mm M/F 'T' Handle Metal Ball Valve	4000/580
RXBVS25MF.T	25mm M/F 'T' Handle Metal Ball Valve	4000/580



T' Handle Metal Ball Valve		
RXBVS08T	8mm 'T' Handle Metal Ball Valve	5000/725
RXBVS10T	10mm 'T' Handle Metal Ball Valve	5000/725
RXBVS15T	15mm 'T' Handle Metal Ball Valve	5000/725
RXBVS20T	20mm 'T' Handle Metal Ball Valve	4000/580
RXBVS25T	25mm 'T' Handle Metal Ball Valve	4000/580



VALVES AND GAUGES

Pressure Gauges and Brass Valves

RXP Code Description Kpa/Psi
Pressure Rating
@ 20°C

Pressure Gauge - Bottom Entry		
RXPG80	Pressure Gauge - Bottom Entry	0-600/87
RXPG145	Pressure Gauge - Bottom Entry	0-1000/145
RXPG230	Pressure Gauge - Bottom Entry	0-1600/230
RXPG360	Pressure Gauge - Bottom Entry	0-2500/350
RXPG870	Pressure Gauge - Bottom Entry	0-6000/800



Pressure Gauge - Rear Entry		
RXPG80RE	Pressure Gauge - Rear Entry	0-600/87
RXPG145RE	Pressure Gauge - Rear Entry	0-1000/145
RXPG230RE	Pressure Gauge - Rear Entry	0-1600/230
RXPG360RE	Pressure Gauge - Rear Entry	0-2500/350
RXPG870RE	Pressure Gauge - Rear Entry	0-6000/800



Stainless Steel Case - Glycerine Filled, Brass Element and Movement
1/4" BSPT Connection. Check RX BSP Threaded fittings section for connectors

Brass 'Y' Filter Valve		
RXYBF15	15mm Brass 'Y' Filter Valve	1654/240
RXYBF20	20mm Brass 'Y' Filter Valve	1654/240
RXYBF25	25mm Brass 'Y' Filter Valve	1654/240
RXYBF32	32mm Brass 'Y' Filter Valve	1654/240
RXYBF40	40mm Brass 'Y' Filter Valve	1654/240
RXYBF50	50mm Brass 'Y' Filter Valve	1654/240



Brass Check Valve		
RXCKV15	15mm Brass Check Valve	2500/363
RXCKV20	20mm Brass Check Valve	2500/363
RXCKV25	25mm Brass Check Valve	2500/363
RXCKV32	32mm Brass Check Valve	1800/261
RXCKV40	40mm Brass Check Valve	1800/261
RXCKV50	50mm Brass Check Valve	1800/261
RXCKV65	65mm Brass Check Valve	1200/174
RXCKV80	80mm Brass Check Valve	1200/174
RXCKV100	100mm Brass Check Valve	1200/174



VALVES AND GAUGES

RXP Code Description Kpa/Psi
Pressure Rating
@ 20°C

Stainless Steel Check Valve Filter

RXSSF15	15mm Stainless Steel Check Valve Filter	
RXSSF20	20mm Stainless Steel Check Valve Filter	
RXSSF25	25mm Stainless Steel Check Valve Filter	
RXSSF32	32mm Stainless Steel Check Valve Filter	
RXSSF40	40mm Stainless Steel Check Valve Filter	
RXSSF50	50mm Stainless Steel Check Valve Filter	
RXSSF65	65mm Stainless Steel Check Valve Filter	
RXSSF80	80mm Stainless Steel Check Valve Filter	
RXSSF100	100mm Stainless Steel Check Valve Filter	



Brass Swing Check Valve

RXSCV15	15mm Brass Swing Check Valve	1172/170
RXSCV20	20mm Brass Swing Check Valve	1172/170
RXSCV25	25mm Brass Swing Check Valve	1172/170
RXSCV32	32mm Brass Swing Check Valve	965/140
RXSCV40	40mm Brass Swing Check Valve	965/140
RXSCV50	50mm Brass Swing Check Valve	965/140
RXSCV65	65mm Brass Swing Check Valve	758/110
RXSCV80	80mm Brass Swing Check Valve	758/110
RXSCV100	100mm Brass Swing Check Valve	758/110



Bibcock Hose Type Valve - Short

RXBIBS15	15mm Bibcock Hose Type Valve - Short	1516/220
RXBIBS20	20mm Bibcock Hose Type Valve - Short	1516/220



Bibcock Hose Type Valve - Long

RXBIBL15	15mm Bibcock Hose Type Valve - Long	1516/220
RXBIBL20	20mm Bibcock Hose Type Valve - Long	1516/220
RXBIBL25	25mm Bibcock Hose Type Valve - Long	1172/170



Mini Ball Valve

RXMBV15	15mm Mini Ball Valve	1516/220
RXMBV20	20mm Mini Ball Valve	1516/220



VALVES AND GAUGES

CAMLOCKS, HOSECLIPS AND CLAMPS

Effluent Camlocks Aluminium Agricultural (AG) Couplings

RXP Code	Description	Camlock Size	Pipe OD
Coupler to Hose Tail			
AGC7690	76-90 Female Coupler To Hose Tail	76	90
AGC7675	76-75 Female Coupler To Hose Tail	76	75
AGC7663	76-63 Female Coupler To Hose Tail	76	63
AGC6475	64-75 Female Coupler To Hose Tail	64	75
AGC6463	64-63 Female Coupler To Hose Tail	64	63
AGC5163	51-63 Female Coupler To Hose Tail	51	63
Male Adaptor to Hose Tail			
AGE7690	76-90 Male Adaptor To Hose Tail	76	90
AGE7675	76-75 Male Adaptor To Hose Tail	76	75
AGE7663	76-63 Male Adaptor To Hose Tail	76	63
AGE6475	64-75 Male Adaptor To Hose Tail	64	75
AGE6463	64-63 Male Adaptor To Hose Tail	64	63
AGE5163	51-63 Male Adaptor To Hose Tail	51	63
Double Hosetail			
DHT9090	90-90 Double Hosetail	90	90
DHT9075	90-75 Double Hosetail	90	75
DHT9063	90-63 Double Hosetail	90	63
DHT7575	75-75 Double Hosetail	75	75
DHT7563	75-63 Double Hosetail	75	63
DHT6363	63-63 Double Hosetail	63	63



AG Couplings are coded as standard camlock sizes with tail to fit OD poly pipe.

CAMLOCKS, HOSECLIPS AND CLAMPS

Aluminium General Purpose (GP) Camlocks

RXP Code	Description
Female Threaded Adaptor	
CAM19A	19mm Female Threaded Adaptor
CAM25A	25mm Female Threaded Adaptor
CAM32A	32mm Female Threaded Adaptor
CAM38A	38mm Female Threaded Adaptor
CAM51A	51mm Female Threaded Adaptor
CAM64A	64mm Female Threaded Adaptor
CAM76A	76mm Female Threaded Adaptor
CAM102A	102mm Female Threaded Adaptor
CAM152A	152mm Female Threaded Adaptor
Male Threaded Adaptor	
CAM19B	19mm Male Threaded Coupling
CAM25B	25mm Male Threaded Coupling
CAM32B	32mm Male Threaded Coupling
CAM38B	38mm Male Threaded Coupling
CAM51B	51mm Male Threaded Coupling
CAM64B	64mm Male Threaded Coupling
CAM76B	76mm Male Threaded Coupling
CAM102B	102mm Male Threaded Coupling
CAM152B	152mm Male Threaded Coupling
Hose Shank Coupling	
CAM19C	19mm Hose Shank Coupling
CAM25C	25mm Hose Shank Coupling
CAM32C	32mm Hose Shank Coupling
CAM38C	38mm Hose Shank Coupling
CAM51C	51mm Hose Shank Coupling
CAM64C	64mm Hose Shank Coupling
CAM76C	76mm Hose Shank Coupling
CAM102C	102mm Hose Shank Coupling
CAM152C	152mm Hose Shank Coupling
Female Threaded Coupling	
CAM19D	19mm Female Threaded Coupling
CAM25D	25mm Female Threaded Coupling
CAM32D	32mm Female Threaded Coupling
CAM38D	38mm Female Threaded Coupling
CAM51D	51mm Female Threaded Coupling
CAM64D	64mm Female Threaded Coupling
CAM76D	76mm Female Threaded Coupling
CAM102D	102mm Female Threaded Coupling
CAM152D	152mm Female Threaded Coupling



CAMLOCKS,
HOSECLIPS & CLAMPS

CAMLOCKS, HOSECLIPS AND CLAMPS

RXP Code	Description
Hose Shank Adaptor	
CAM19E	19mm Hose Shank Adaptor
CAM25E	25mm Hose Shank Adaptor
CAM32E	32mm Hose Shank Adaptor
CAM38E	38mm Hose Shank Adaptor
CAM51E	51mm Hose Shank Adaptor
CAM64E	64mm Hose Shank Adaptor
CAM76E	76mm Hose Shank Adaptor
CAM102E	102mm Hose Shank Adaptor
CAM152E	152mm Hose Shank Adaptor



Male Threaded Adaptor	
CAM19F	19mm Male Threaded Adaptor
CAM25F	25mm Male Threaded Adaptor
CAM32F	32mm Male Threaded Adaptor
CAM38F	38mm Male Threaded Adaptor
CAM51F	51mm Male Threaded Adaptor
CAM64F	64mm Male Threaded Adaptor
CAM76F	76mm Male Threaded Adaptor
CAM102F	102mm Male Threaded Adaptor
CAM152F	152mm Male Threaded Adaptor



Dust Cap	
CAM19DC	19mm Dust Cap
CAM25DC	25mm Dust Cap
CAM32DC	32mm Dust Cap
CAM38DC	38mm Dust Cap
CAM51DC	51mm Dust Cap
CAM64DC	64mm Dust Cap
CAM76DC	76mm Dust Cap
CAM102DC	102mm Dust Cap
CAM152DC	152mm Dust Cap



Dust Plug	
CAM19DP	19mm Dust Plug
CAM25DP	25mm Dust Plug
CAM32DP	32mm Dust Plug
CAM38DP	38mm Dust Plug
CAM51DP	51mm Dust Plug
CAM64DP	64mm Dust Plug
CAM76DP	76mm Dust Plug
CAM102DP	102mm Dust Plug
CAM152DP	152mm Dust Plug



CAMLOCKS,
HOSECLIPS & CLAMPS

CAMLOCKS, HOSECLIPS AND CLAMPS

Polypropylene (PP) Camlocks

RXP Code	Description
	Camlock Seal
CAM19S	19mm Camlock Seal
CAM25S	25mm Camlock Seal
CAM32S	32mm Camlock Seal
CAM38S	38mm Camlock Seal
CAM51S	51mm Camlock Seal
CAM64S	64mm Camlock Seal
CAM76S	76mm Camlock Seal
CAM102S	102mm Camlock Seal
CAM127S	127mm Camlock Seal
CAM152S	152mm Camlock Seal



Polyprop Female Threaded Adaptor	
CAMPP19A	19mm Polyprop Female Threaded Adaptor
CAMPP25A	25mm Polyprop Female Threaded Adaptor
CAMPP32A	32mm Polyprop Female Threaded Adaptor
CAMPP38A	38mm Polyprop Female Threaded Adaptor
CAMPP51A	51mm Polyprop Female Threaded Adaptor
CAMPP64A	64mm Polyprop Female Threaded Adaptor
CAMPP76A	76mm Polyprop Female Threaded Adaptor
CAMPP102A	102mm Polyprop Female Threaded Adaptor



Polyprop Male Threaded Coupling	
CAMPP19B	19mm Polyprop Male Threaded Coupling
CAMPP25B	25mm Polyprop Male Threaded Coupling
CAMPP32B	32mm Polyprop Male Threaded Coupling
CAMPP38B	38mm Polyprop Male Threaded Coupling
CAMPP51B	51mm Polyprop Male Threaded Coupling
CAMPP64B	64mm Polyprop Male Threaded Coupling
CAMPP76B	76mm Polyprop Male Threaded Coupling
CAMPP102B	102mm Polyprop Male Threaded Coupling



Polyprop Hose Shank Coupling	
CAMPP19C	19mm Polyprop Hose Shank Coupling
CAMPP25C	25mm Polyprop Hose Shank Coupling
CAMPP32C	32mm Polyprop Hose Shank Coupling
CAMPP38C	38mm Polyprop Hose Shank Coupling
CAMPP51C	51mm Polyprop Hose Shank Coupling
CAMPP64C	64mm Polyprop Hose Shank Coupling
CAMPP76C	76mm Polyprop Hose Shank Coupling
CAMPP102C	102mm Polyprop Hose Shank Coupling



Polyprop camlocks are not a stock item but can be ordered in.

CAMLOCKS, HOSECLIPS AND CLAMPS

RXP Code	Description
Polyprop Female Threaded Coupling	
CAMPP19D	19mm Polyprop Female Threaded Coupling
CAMPP25D	25mm Polyprop Female Threaded Coupling
CAMPP32D	32mm Polyprop Female Threaded Coupling
CAMPP38D	38mm Polyprop Female Threaded Coupling
CAMPP51D	51mm Polyprop Female Threaded Coupling
CAMPP64D	64mm Polyprop Female Threaded Coupling
CAMPP76D	76mm Polyprop Female Threaded Coupling
CAMPP102D	102mm Polyprop Female Threaded Coupling



Polyprop Hose Shank Adaptor	
CAMPP19E	19mm Polyprop Hose Shank Adaptor
CAMPP25E	25mm Polyprop Hose Shank Adaptor
CAMPP32E	32mm Polyprop Hose Shank Adaptor
CAMPP38E	38mm Polyprop Hose Shank Adaptor
CAMPP51E	51mm Polyprop Hose Shank Adaptor
CAMPP64E	64mm Polyprop Hose Shank Adaptor
CAMPP76E	76mm Polyprop Hose Shank Adaptor
CAMPP102E	102mm Polyprop Hose Shank Adaptor



Polyprop Male Threaded Adaptor	
CAMPP19F	19mm Polyprop Male Threaded Adaptor
CAMPP25F	25mm Polyprop Male Threaded Adaptor
CAMPP32F	32mm Polyprop Male Threaded Adaptor
CAMPP38F	38mm Polyprop Male Threaded Adaptor
CAMPP51F	51mm Polyprop Male Threaded Adaptor
CAMPP64F	64mm Polyprop Male Threaded Adaptor
CAMPP76F	76mm Polyprop Male Threaded Adaptor
CAMPP102F	102mm Polyprop Male Threaded Adaptor



Polyprop Dust Cap	
CAMPP19DC	19mm Polyprop Dust Cap
CAMPP25DC	25mm Polyprop Dust Cap
CAMPP32DC	32mm Polyprop Dust Cap
CAMPP38DC	38mm Polyprop Dust Cap
CAMPP51DC	51mm Polyprop Dust Cap
CAMPP64DC	64mm Polyprop Dust Cap
CAMPP76DC	76mm Polyprop Dust Cap
CAMPP102DC	102mm Polyprop Dust Cap



CAMLOCKS, HOSECLIPS AND CLAMPS

RXP Code	Description
Polyprop Dust Plug	
CAMPP19DP	19mm Polyprop Dust Plug
CAMPP25DP	25mm Polyprop Dust Plug
CAMPP32DP	32mm Polyprop Dust Plug
CAMPP38DP	38mm Polyprop Dust Plug
CAMPP51DP	51mm Polyprop Dust Plug
CAMPP64DP	64mm Polyprop Dust Plug
CAMPP76DP	76mm Polyprop Dust Plug
CAMPP102DP	102mm Polyprop Dust Plug



Stainless Steel W3 Band Hose Clips

RXP Code	Description	Clamping Range
7.5mm Band		
10-16/7P	10-16mm Mini Hose Clip	10-16mm
9mm Band		
8-16/9P	8-16mm Worm Drive Hoseclip	8-16mm
12-20/9P	12-20mm Worm Drive Hoseclip	12-20mm
16-25/9P	16-25mm Worm Drive Hoseclip	16-25mm
20-32/9P	20-32mm Worm Drive Hoseclip	20-32mm
25-40/9P	25-40mm Worm Drive Hoseclip	25-40mm
30-45/9P	30-45mm Worm Drive Hoseclip	30-45mm
32-50/9P	32-50mm Worm Drive Hoseclip	32-50mm
40-60/9P	40-60mm Worm Drive Hoseclip	40-60mm
50-70/9P	50-70mm Worm Drive Hoseclip	50-70mm
70-90/9P	70-90mm Worm Drive Hoseclip	70-90mm
80-100/9P	80-100mm Worm Drive Hoseclip	80-100mm
90-110/9P	90-110mm Worm Drive Hoseclip	90-110mm
13mm Band		
16-25/13P	16-25mm Worm Drive Hoseclip	16-25mm
20-32/13P	20-32mm Worm Drive Hoseclip	20-32mm
25-40/13P	25-40mm Worm Drive Hoseclip	25-40mm
30-45/13P	30-45mm Worm Drive Hoseclip	30-45mm
35-50/13P	35-50mm Worm Drive Hoseclip	35-50mm
40-60/13P	40-60mm Worm Drive Hoseclip	40-60mm
50-70/13P	50-70mm Worm Drive Hoseclip	50-70mm
60-80/13P	60-80mm Worm Drive Hoseclip	60-80mm
70-90/13P	70-90mm Worm Drive Hoseclip	70-90mm
80-100/13P	80-100mm Worm Drive Hoseclip	80-100mm
90-110/13P	90-110mm Worm Drive Hoseclip	90-110mm
100-120/13P	100-120mm Worm Drive Hoseclip	100-120mm
110-130/13P	110-130mm Worm Drive Hoseclip	110-130mm
140-160/13P	140-160mm Worm Drive Hoseclip	140-160mm
150-170/13P	150-170mm Worm Drive Hoseclip	150-170mm



CAMLOCKS,
HOSECLIPS & CLAMPS

CAMLOCKS, HOSECLIPS AND CLAMPS

Stainless Steel W2 Band Heavy Duty Hose Clamps

RXP Code	Clamping Range 9mm Band Width	Suitable Pipe Sizes
GBS18/18W2	17-19 mm	
GBS20/18W2	19-21 mm	
GBS22/18W2	21-23 mm	
GBS24/18W2	23-25 mm	
GBS26/18W2	25-27 mm	
GBS28/18W2	27-29 mm	
GBS30/18W2	29-31 mm	
GBS33/18W2	31-34 mm	32mm MDOD
GBS36/18W2	34-37 mm	
GBS39/18W2	37-40 mm	32mm LD/MDID
GBS42/18W2	40-43 mm	40mm MDOD
GBS45/20W2	43-47 mm	40mm LD/MDID
GBS49/20W2	47-51 mm	50mm MDOD
GBS53/20W2	51-55 mm	
GBS57/20W2	55-59 mm	50mm LD
GBS61/20W2	59-63 mm	50mm MDID
GBS66/20W2	63-68 mm	63mm MDOD
GBS71/25W2	68-73 mm	
GBS76/25W2	73-79 mm	75mm MDOD
GBS82/25W2	79-85 mm	
GBS88/25W2	85-91 mm	90mm MDOD
GBS94/25W2	91-97 mm	
GBS101/25W2	97-104 mm	
GBS108/25W2	104-112 mm	110mm MDOD
GBS117/25W2	112-121 mm	
GBS126/25W2	121-130 mm	
GBS135/30W2	130-140 mm	
GBS145/30W2	140-150 mm	
GBS156/30W2	150-162 mm	
GBS168/30W2	162-174 mm	
GBS181/30W2	174-187 mm	
GBS194/30W2	187-200 mm	



TANKS & TROUGHS

Consider your on-farm water storage solution sorted with our range of tanks and troughs.

A wide range of sizes and colours, there's a tank to suit every situation and location.

- From 500L to 30,000L
- AS/NZS 4766:2006 compliant
- Easy to install
- UV stabilised, food grade polyethylene
- One piece construction for strong robust tanks
- Wide range of accessories including firefighting kits
- 20 Year warranty



Standard tank colours



Mist Green



Heritage Green



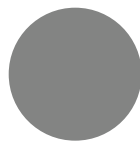
Beige



Black



Karakas Green



Dark Grey



Light Grey

Other colours available on request.

*Colours are an indication only**



Trust our troughs, they are a long-lasting choice for storing and supplying stock water.

- From 12L to 1200L
- Range of sizes to suit all situations
- Easy to handle and move
- Made for the harshest conditions

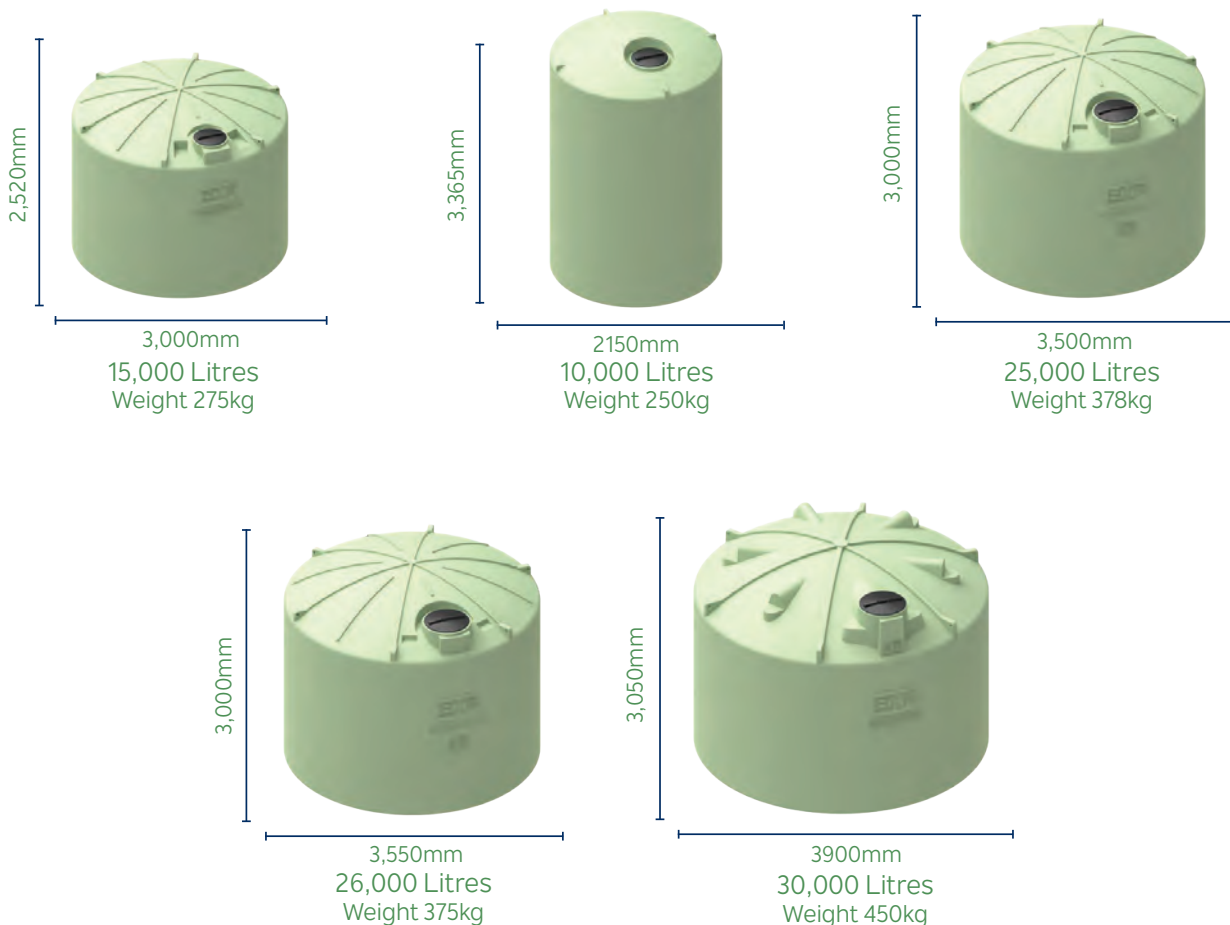
TANKS AND TROUGHS

MAX™ Tanks: 10,000 – 30,000 Litre Tanks

- For water use only 1 SG (1m³ = 1000kgs water).
- For potable water storage between 1-23°C.
- Supplied with a black vented lid, 450mm for 10,000 and 15,000 litre tanks. 600mm for 25,000, 26,000 and 30,000 litre tanks
- Lifting lugs - 4 for 10,000 litre tank. 6 for 15,000, 25,000, 26,000 and 30,000.
- Standard Colours:- Black (B), Mist Green (MG), Heritage Green (HG), Karaka Green (KG), Beige (BE), Dark Grey (DG) and Light Grey (LG).
- Other colours are available on request but may incur additional charges.
- Code examples:- RX30000LB (Black), RX30000LMG (Mist Green), RX30000LHG (Heritage Green), RX30000LKG (Karaka Green), RX30000LBE (Beige), RX30000LDG (Dark Grey). Please state colour on your order.

RXP Code	Description
RX10000LB	10000 Litre Water Tank - North Island only
RX15000LB	15000 Litre Water Tank - North and South Island
RX25000LB	25000 Litre Water Tank - North Island only
RX26000LB	26000 Litre Water Tank - South Island only
RX30000LB	30000 Litre Water Tank - North and South Island

Max Tanks have two pre-drilled BSP female 2" threads and are supplied with 2 x RXHP50.

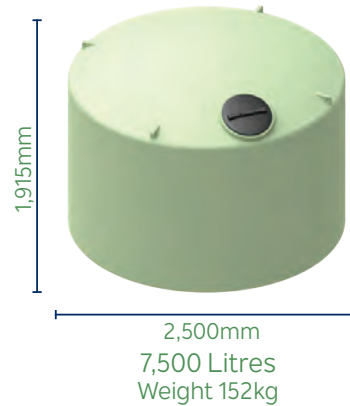
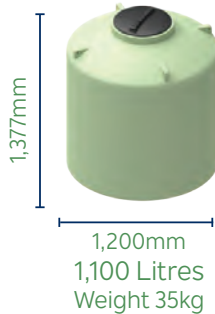


TANKS AND TROUGHS

Water Tanks: 500 - 7,500 Litre Tanks

- For potable water storage between 1-23°C.
- Supplied with a lid for 400mm manhole.
- Black (B) and Mist Green (MG) are stock items.
- Beige (BE) and Heritage Green (HG) are made on request.
- Other colours are available on request but may incur additional charges.
- Code examples:- RX500LB (Black), RX500LMG (Mist Green), RX500LBE (Beige), RX500LHG (Heritage Green). Please state colour on your order.

RXP Code	Description	Black	Coloured
RX500L	500 Litre Water Tank		
RX1100L	1100 Litre Water Tank		
RX2000L	2000 Litre Water Tank		
RX3200L	3200 Litre Water Tank		
RXTTI25 and RXHP25 are included with the tanks			
RX5250L	5250 Litre Tank		
RX7500L	7500 Litre Tank		
RXTTI50 and RXHP50 are included with the tanks			



TANKS AND TROUGHS

Colostrum Tanks

- Made from strong robust opaque plastic.
- Clearly marked with stencil showing the volume in litres.
- 400mm inspection hole and lid.
- Supplied with 32mm (1 ¼") tank inlet male -RXTTI32.
- UV stabilised.

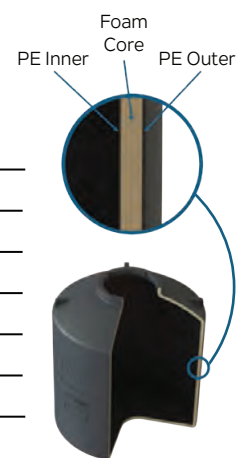
RXP Code	Description
RX500LCO	500 Litre Colostrum Tank
RX1100LCO	1100 Litre Colostrum Tank
RX2000LCO	2000 Litre Colostrum Tank
RX3200LCO	3200 Litre Colostrum Tank
RX5250LCO	5250 Litre Colostrum Tank
RX7500LCO	7500 Litre Colostrum Tank
RX10000LCO	10000 Litre Colostrum Tank - North Island only



Foamed Tanks

- Offers extra stiffness.
- Superior insulation properties while keeping temperatures constant.
- 400mm inspection hole and screw in lid.
- UV stabilised.

RX500LF	500 Litre Foamed Tank
RX1100LF	1100 Litre Foamed Tank
RX2000LF	2000 Litre Foamed Tank
RX3200LF	3200 Litre Foamed Tank
RX5250LF	5250 Litre Foamed Tank
RX7500LF	7500 Litre Foamed Tank



Molasses Tanks

- Specially made extra heavy duty tanks for storage of heavy molasses or similar liquids. (1 litre = 1.2kg)
- 400mm inspection hole for 500- 15,000 litre tanks.
- 600mm inspection hole for 25,000 - 30,000 litre tanks.
- UV stabilised.

RX500LM	500 Litre Molasses Tank
RX1100LM	1100 Litre Molasses Tank
RX2000LM	2000 Litre Molasses Tank
RX3200LM	3200 Litre Molasses Tank
RX5250LM	5250 Litre Molasses Tank
RX7500LM	7500 Litre Molasses Tank
RX10000LBM.14T	10000 Litre Molasses Tank - 14 Tonne - North Island only
RX15000LBM.21T	15000 Litre Molasses Tank - 21 Tonne
RX25000LM.B.30T	25000 Litre Molasses Tank - 30 Tonne - North Island only
RX25000LM.B.35T	25000 Litre Molasses Tank - 35 Tonne - North Island only
RX26000LM.B.30T	26000 Litre Molasses Tank - 30 Tonne - South Island only
RX30000LBM.40T	30000 Litre Molasses Tank - 40 Tonne



Metro Tanks - Urban Water Storage

METRO1670LLG	1670 Litre Metro Tank Light Grey - North Island Only
METRO3340LLG	3340 Litre Metro Tank Light Grey - North Island Only
METRO5010LLG	5010 Litre Metro Tank Light Grey - North Island Only
METRO1670LME	1670 Litre Metro Tank Merino - North Island Only
METRO3340LME	3340 Litre Metro Tank Merino - North Island Only
METRO5010LME	5010 Litre Metro Tank Merino - North Island Only



TANKS AND TROUGHS

Tank Accessories

RXP Code	Description
Molasses Kit	
RXMK-LGE	Large Molasses Kit
RXMK-SM	Small Molasses Kit
Tank Lids	
TANKLIDAG450	Arag Lid 450mm screw in vented lid, rivatable rim or thread fits tanks 500 - 15,000 litres, black only
TANKLIDAG620	RX Tank Lid 620mm screw in vented lid, rivatable rim or thread fits tanks 25,000 - 30,000 litres, black only
TANKLIDSK350	Skellerup Tank 350mm fits all Skellerup tanks up to 30,000 litres 675 litre header tank (RXHT.675) also used for spare lids for casing casks and bulkie barrels
BTF20	20mm Brass Tank Fitting including Brass Nuts
BTF50	50mm Brass Tank Fitting - Tapered Thread
BTF75	75mm Brass Tank Fitting - Tapered Thread
BTF100	100mm Brass Tank Fitting - Parallel Thread



Tank Fittings

RXP Code	Description
Water Inlet System	
RXTKPIK25	25mm Protected Inlet Kit
RXTKPIK50	50mm Protected Inlet Kit



RXTKPIK

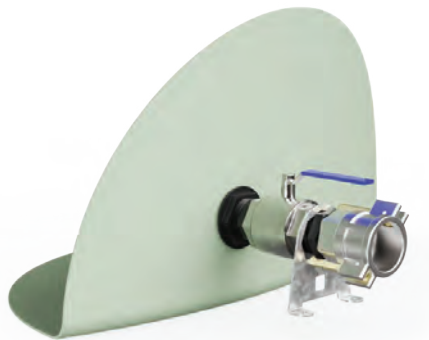
TANKS AND TROUGHS

Tank Fittings

RXP Code	Description
	Water Outlet System
RXTKOK25	25mm Outlet Kit
RXTKOK50	50mm Outlet Kit
RXTKOK75	75mm Outlet Kit
RXTKRFBK25	25mm Rising Falling Main Kit
RXTKRFBK50	50mm Rising Falling Main Kit
RXTKFOK32	32mm Floating Outlet
RXTKRDOK25	25mm Reserve Dual Outlet Kit
RXTKRDOK50	50mm Reserve Dual Outlet Kit
RXFR25	MAX Tank Water Reserve Kit 25mm
RXFR50	MAX Tank Water Reserve Kit 50mm



RXTKOK50



RXTKOK75



RXTKRFBK



RXTKFOK32



RXTKDOK



RXFR

TANKS AND TROUGHS

TANKS AND TROUGHS

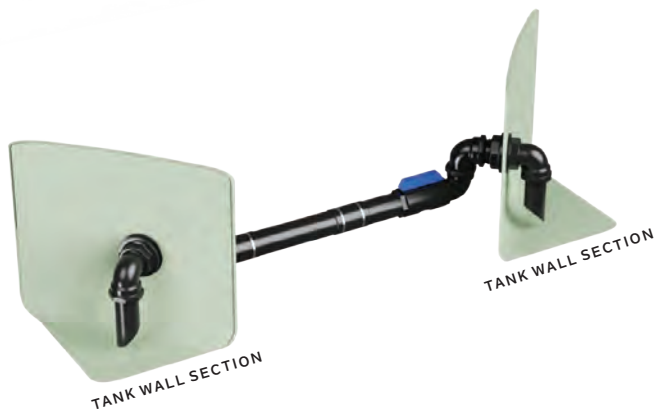
Tank Fittings and Firefighting Packages

RXP Code	Description
Tank Overflow Kit	
RXTKOVK50	50mm Tank Overflow Kit
RXTKOVK100	100mm Tank Overflow Kit

Tank Connection Kit	
RXTKCK50	50mm Dual Tank Connection Kit
RXTKCK100	100mm Dual Tank Connection Kit



RXTKOVK



RXTKCK50

Firefighting

Suitable for 15,000, 25,000, 26,000 and 30,000 litre MAX tanks. 100mm firefighting outlet with standard hose coupling (FFK100).

Requires supporting separately from the RXP tank wall.

RXTKFFK100	100mm Firefighting Kit
RXTKCK100	100mm Dual Tank Connection Kit
RXTKWRK45000L.25	45000L Water Reserve Kit



RXTKFFK100



RXTKCK100



RXTKWRK45000L.25

TANKS AND TROUGHS

Tank Vents and Water Level Indicators

RXP Code	Description
Tank Vent	
RXTKVENT50	50mm Tank Vent
RXTKVENT100	100mm Tank Vent
TANKVENT.100	100mm Tank Vent - with riser and uniseal
Filter Basket	
FILTERBSKT	Filter Basket for tank lids - fits inside Arag Lid 450mm only
Water Level Indicator	
RXTKWLI	RX Water Level Indicator
VVSE/JRW	Water Level Indicator



RXTKVENT.50



RXTKVENT.100



RXTKWLI

TANKS AND TROUGHS

TANKS AND TROUGHS

Super Troughs

- The RXP Super Trough comes standard with a 20mm long thread full flow (PH.VERSARX.FP20LSA) float valve complete with backnut, ballfloat.
- The 200 litre trough upwards also come with a RXHP40 and RXTTI40.
- This full flow valve is rated to a maximum of 80psi - 160 L/per minute.

RXP Code	Description
RXTR200LRDB	200 Litre Black Round Trough 1180mm x 390mm deep
RXTR500LRDB	500 Litre Black Round Trough 1620mm x 420mm deep
RXTR1200LRB	1200 Litre Black Round Trough 2130mm x 580mm
RXTR100LRTB	100 Litre Black Rectangular Trough 1160mm x 620mm x 300mm deep
RXTR300LRTB	300 Litre Black Rectangular Trough 1620mm x 880mm x 410mm deep
RXTR350LRTB	350 Litre Black Between Fence Trough 1935mm x 1100mm x 380mm deep
RXTCG	RX Trough Cover Green



Standard Troughs

Fence Hung Trough

RXTR12L	12 Litre Fence Hung Trough - Black 385mm (l) x 340mm (w) x 320mm (h) supplied with a bung and ballcock
RXTR25L	25 Litre Fence Hung Trough - Black 500mm (l) x 375mm (w) x 400mm (h) supplied with a bung and ballcock



Drag Trough

RXTR180L	180 Litre Drag Trough - Black 850mm (w) x 550mm (h)
----------	--



This trough takes 50 metres of 20mm flexible suction pipe 105 psi working pressure, 320 psi burst pressure. Pipe not supplied

RXTR180L.COMP	180Litre Drag Trough with pipe and fittings 850mm (w) x 550mm (h).
---------------	---



Supplied with pipe and fittings required for installation

FLEXICON.20.330	20mm Flexible hose connector for 180 Litre Drag Trough
-----------------	--



Break-Feed Troughs

RXTR200LBF	RX 200LT Break-Feed Trough
RXFVSK20	20mm Float Valve Support Kit



TANKS AND TROUGHS

Nura / Header Tanks

RXP Code	Description
RXHT.135COMP	135 Litre Nura Header Tank Complete 674mm top, 572mm base x 470mm high comes complete with all fittings required.
RXHT.135SEMI	135 Litre Nura Header Tank Semi Complete 674mm top, 572mm base x 470mm high Trough valve and ballfloat not included.
RXHT.135TKLID	135 Litre Nura Header Tank and Lid With Kit - Black 674mm top, 572mm base x 470mm high Trough Valve, Ballfloat, Tray and Overflow not included
RX135L.BP	RX Header Tank 135 Litre - Aluminium Backing Plate
RX135L.OF	RX Header Tank 135 Litre - Overflow
RX135L.TANK	RX Header Tank 135 Litre - Tank & Lid
RX135L.TRAY	RX Header Tank 135 Litre - Tray
BTF20	20mm Brass Tank Fitting
POLYW20	20mm Poly Washer

Replacement lids are not available.

RXHT.320	320 Litre Nura/Header Tank - Black 864mm top x 674mm base, 877mm high
RXHT.675	675 Litre Nura/Header Tank - Black 1290mm top x 1290mm base, 580mm high

RX422LB	422 Litre Open Top Tank - Black 980mm (h) x 825mm (d)
RX1818LB	1818 Litre Open Top Tank - Black 1240mm (h) x 1500mm (d)

Grey Water Tank and Pump Cover

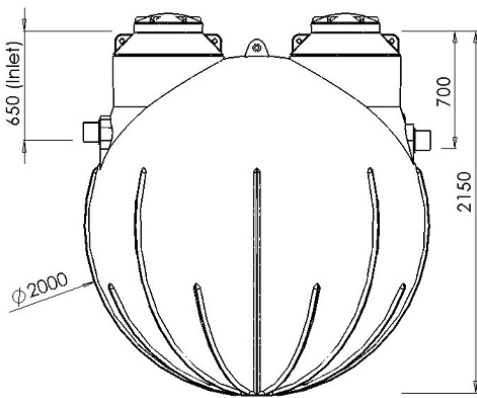
RX600LB	600 Litre Grey Water Tank 2000mm (l) x 600mm (w) x 600mm (w)
RXPUMPC-BK	Plastic Pump Cover 620mm (h) x 520mm (w) x 800mm (l) Available in black (BK), Beige (BE), Mist Green (MG) and White (WH)



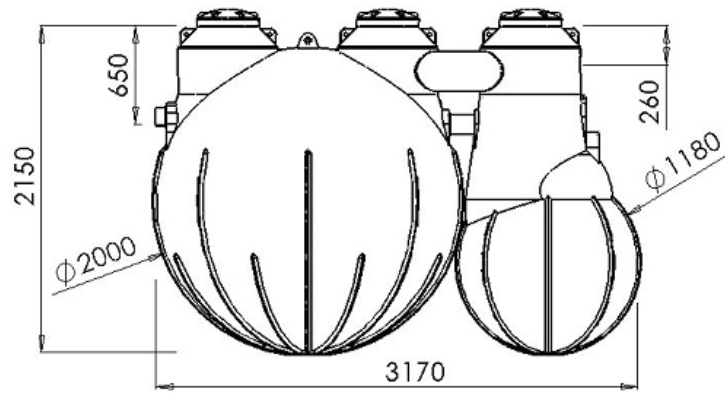
SEPTIC TANKS

Environmental Septic Tank Range

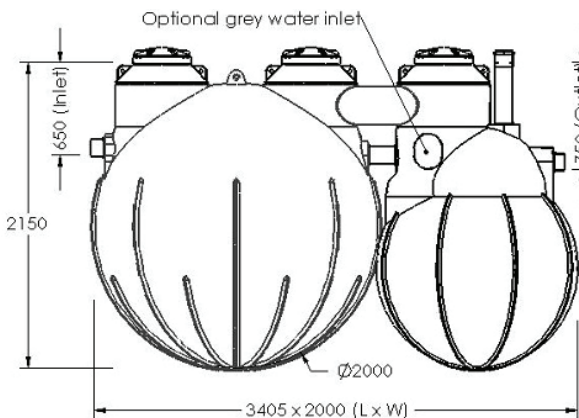
RXP Code	Description
RXST33	3300 Litre Single Stage Filtered Septic Tank
Evacuation Hole Size: 3000L x 3000W x 2250D, Weight: 200kg, Working Volume: 3300L	
RXST3310	4300 Litre Single Stage Filtered Septic Tank and Pump Chamber
Evacuation Hole Size: 4000L x 3000W x 2250D, Weight: 300kg, Working Volume: 4300L	
RXST3315	4800 Litre 2 Stage Filtered Septic Tank
Evacuation Hole Size: 4000L x 3000W x 2250D, Weight: 315kg, Working Volume: 4800L	
RXST331210	5500 Litre 2 Stage Filtered Septic Tank and Pump Chamber
Evacuation Hole Size: 4000L x 3100W x 2250D, Weight: 375kg, Working Volume: 5500L	
RXST.DP15SET	D15V Drainage Pump Set, fitted into Septic Tank. Price includes pump, pipework and installation
RXST.PCALARM	DLM Alarm for Pump Chamber
RXST.FS	AirTech® Float Switch
RXST.PUMP	D42A/B Pump - For AT7000 and AT9000
RXST.BLOWERJDK	JDK AirTech Blower - for AT7000 and AT9000



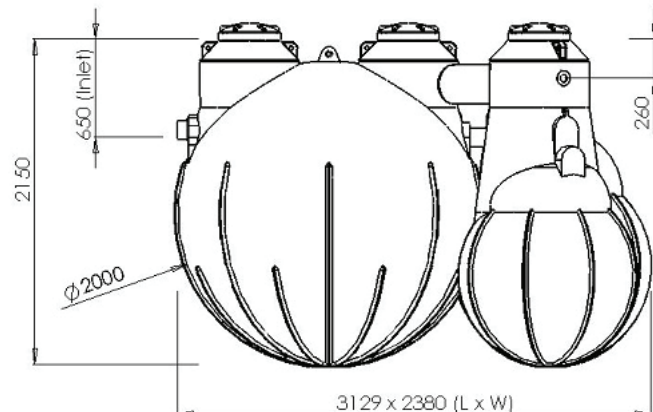
RXST33



RXST3310



RXST3315



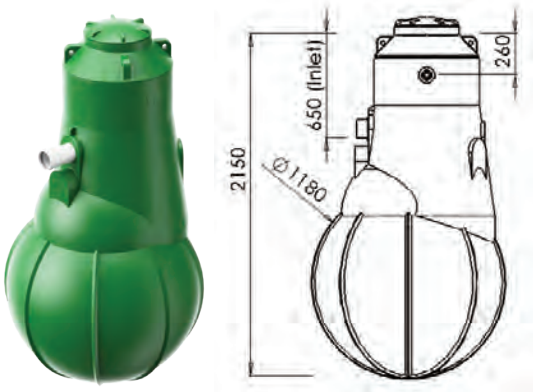
RXST331210

SEPTIC TANKS

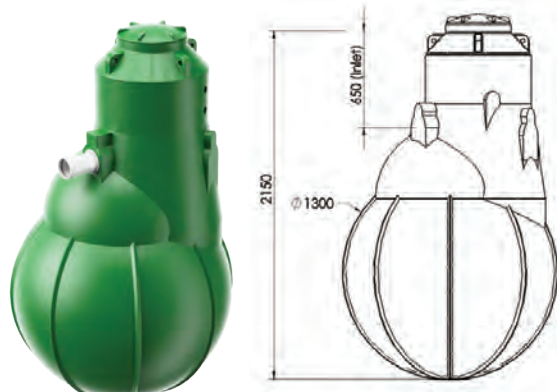
Environmental Pump Chambers

- Pumps are NOT supplied.
- Suitable for underground retention/detentions tanks.
- All Pump Chambers use a RXTTI25 outlet.
- No Bioceptor.

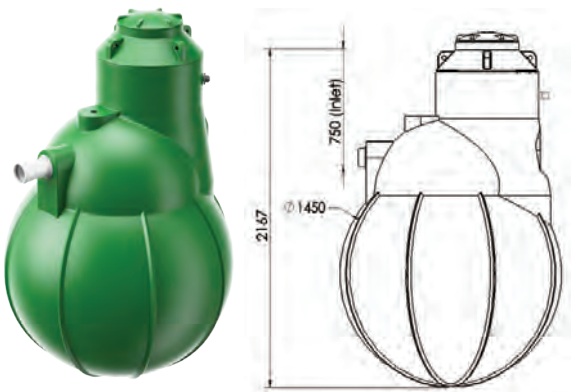
RXP Code	Description
RXSTPC10	1210 Litre Pump Chamber
Evacuation Hole Size: 2000L x 2000W x 2250D, Working Volume: 1200L	
RXSTPC12	1400 Litre Pump Chamber
Evacuation Hole Size: 2000L x 2000W x 2250D, Working Volume: 1400L	
RXSTPC15	1600 Litre Pump Chamber
Evacuation Hole Size: 2000L x 2000W x 2250D, Working Volume: 1600L	
RXSTPC33	4000 Litre Pump Chamber
Evacuation Hole Size: 3000L x 3000W x 2250D, Working Volume: 4000L	



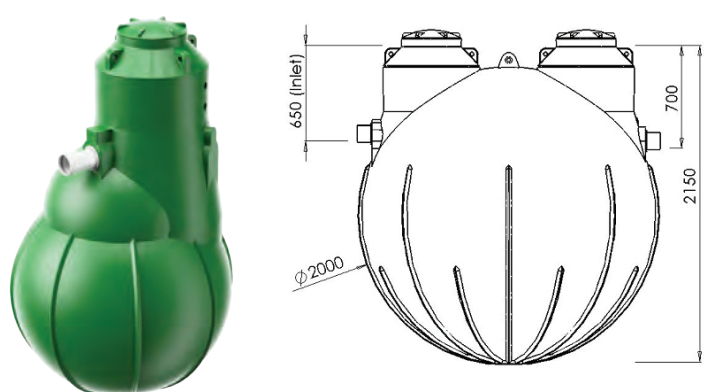
RXSTPC10



RXSTPC12



RXSTPC15

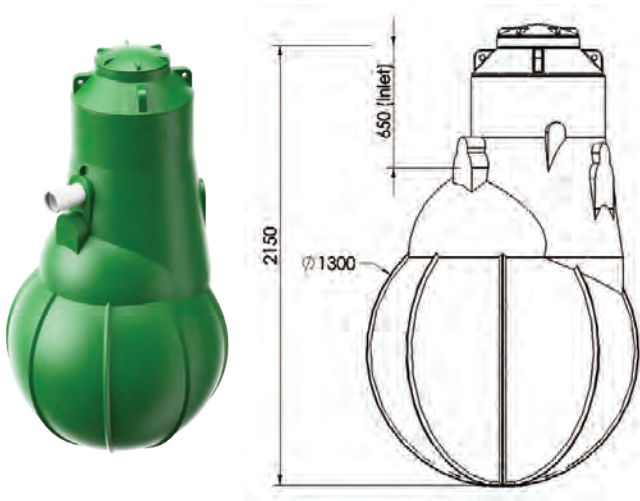


RXSTPC33

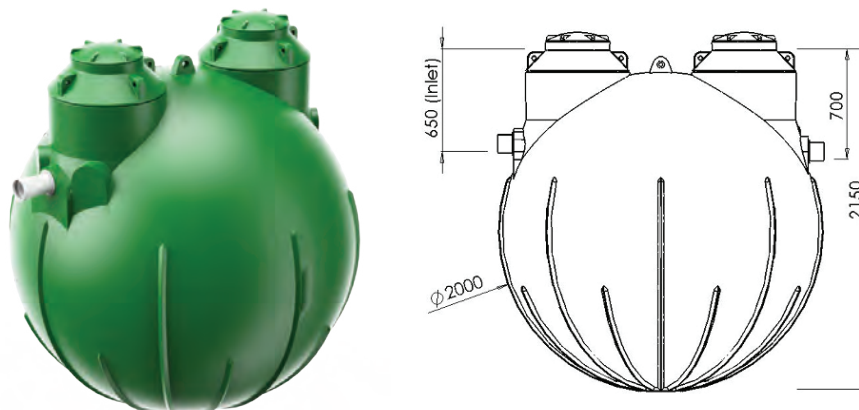
SEPTIC TANKS

Environmental Pump Chambers - complete with high water alarm and pump

RXP Code	Description
RXSTPC10.120GA	1200 Litre Pump Chamber complete with pump controller, high water alarm and grinder pump
Evacuation Hole Size: 2000L x 2000W x 2250D	
RXSTPC33.2X120GA	4200 Litre Pump Chamber complete with dual pump controller, high water alarm and two grinder pumps
Evacuation Hole Size: 3000L x 3000W x 2200D	



RXSTPC10.120GA



RXSTPC33.2X120GA

SEPTIC TANKS

AirTech® - On-Site Wastewater Treatment System

The AirTech® system is an efficient, lightweight sewage treatment plant that safely and effectively processes your disposables and wastewater. The unit recycles it as clear, odourless nutrient enriched water, that can be safely discharged into a field.

For the environmentally minded this means that the sewage and waste water is treated on the property where it is produced and then recycled for reuse with little or no environmental impact on the land.

The AirTech® system comes in three choices depending on your requirements. Whether you have a small residential home (AT7000) or a larger residential home (AT9000), RXP may be able to assist you.

Please call RXP and we can refer you to our extensive installer network or if you wish to become an installer we can talk about the requirements.

NOTE: Not all household waste streams should go to the AirTech® system. Please refer to the Home Owner's Manual.

AirTech® 7000
 Total 1500 litres per day.
 System ideal for houses
 and baches up to 5 people.



AirTech® 9000
 Total 2000 litres per day.
 System ideal for houses
 with up to 10 people.



RXP Code	Description
RXSTAT331210	AirTech® 7000 with Filter Kit, with 2 x 100m dripline
Evacuation Hole Size - 4000 L x 3100 W x 2250 D	
RXSTAT7000M	AirTech® 7000 without pump, filter kit and dripline
Evacuation Hole Size - 4000 L x 3100 W x 2250 D	
RXSTAT33151210	AirTech® 9000 with Filter Kit, with 300m dripline
Evacuation Hole Size - 5000 L x 3100 W x 2250 D	
RXSTAT9000M	AirTech® 9000 without pump, filter kit and dripline
Evacuation Hole Size - 5000 L x 3100 W x 2250 D	



K-LINE® BENEFITS

Suitable for irrigation, effluent, orchard, landscape and dust suppression needs.

- Economical – more cost effective both in start-up cost and operating costs than other irrigation systems.
- Multi terrain – if you can safely shift the K-Line you can irrigate.
- Durable – built to withstand UV light, freezing temperatures and vehicle and animal traffic.
- Movable – easily shifted from irrigation set to irrigation set.
- Scalable – the system is designed to expand as needs grow. Mix and match K-LINE® packs to irrigate 0.5 to 1000 hectares.
- Animal friendly – safe to use around grazing animals.
- Adaptable – from application rates to field shape, K-LINE® can be adjusted to meet your needs.

K-LINE® FARM PACKS

Suitable for a lifestyle block or small farm irrigation system.

- Including the above statements:
- This pack will provide all you need to irrigate your areas.
- The pack has the fittings we think you require, tools that are more difficult to obtain and make it easy for you to install. A DIY joy!



Lifestyle, Farm, Extension and Dust Suppression Packs

RXP Code	Description
Lifestyle Packs - with Naan 427	
KL1POD	K-Line® One Pod Pack Complete with Naan427 Sprinkler, Blue K-Line® Std Pod x 1, ready for garden hose connection
KL1PODPACK	K-Line® One Pod Pack Complete with Naan427 Sprinkler, Blue K-Line® Std Pod x 1, 16mm tubing x 35metres and fittings
KLSS32.3PODDIY	DIY 3 Pod Pack 32mm K-Pipe x 66metres, Blue K-Line® Std Pods x 3, complete with Naan427 sprinklers and fittings
Farm Packs - with Naan 5022	
KLSS32.3PODPACK	32mm K-Line® 3 Pod Farm Pack 32mm K-Pipe x 66metres, Black K-Line® Std Pods x 3 complete, with Pack
KLSS32.4PODPACK	32mm K-Line® 4 Pod Farm Pack 32mm K-Pipe x 76metres, Black K-Line® Std Pods x 4 complete with Pack
KLSS32.5PODPACK	32mm K-Line® 5 Pod Farm Pack 32mm K-Pipe x 115metres, Black K-Line® Std Pods x 5 complete with Pack
Extension Packs - with Naan 5022	
KLSS40.5PODPACK	40mm K-Line® 5 Pod / Extension Pack 40mm K-Pipe x 104metres, Black K-Line® Std Pods x 5, complete. Plus 40mm Pack and KLTPS32 x 3
Dust Suppression Pack	
KLSS32.3DUST	32mm K-Line® 3 Pod Dust Suppression Pack 32mm K-Pipe x 66metres, Orange K-Line®™ Std Pods x 3, complete with adaptor and coupler camlocked for easy installation



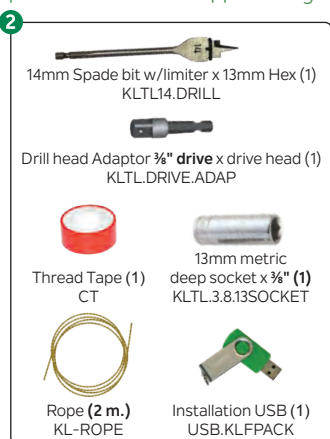
K-LINE® SYSTEMS

Farm Pack Components

Standard components in every pack
 3 Pod pack = 3 x value shown
 4 Pod pack = 4 x value shown
 5 Pod pack = 5 x value shown



Standard components in every pack - one of each supplied only



Standard components for Farmpacks with 32mm pipe



Standard components for 40mm extension Farmpack



Standard Pod Options

RXP Code	Description
KLSS32.NAAN.xxx	32mm K-Line® Naan Irrigation Sprinkler Skid Complete
KLSS40.NAAN.xxx	40mm K-Line® Naan Irrigation/Effluent Sprinkler Skid Complete
KLSS45.NAAN.xxx	45mm K-Line® Naan Irrigation/Effluent Sprinkler Skid Complete

xxx Nozzle choices = red (red 3.00mm) standard eg. KLSS40.NAAN.RED

pur (purple 2.5mm) org (orange 2.85mm) blk (black 4.0mm)
 grn (green 3.2mm) blue (blue 3.5mm)

Components



KLSS32.NEL.xxx.xxx	32mm K-Line® Nelson Irrigation Sprinkler Skid Complete
KLSS40.NEL.xxx.xxx	40mm K-Line® Nelson Irrigation Sprinkler Skid Complete
KLSS45.NEL.xxx.xxx	45mm K-Line® Nelson Irrigation Sprinkler Skid Complete

xxx.xxx choices (Plate.nozzle) = red.red (WF16 x #16) standard eg. KLSS32.NEL.RED.RED
 grn.grn (WF14 x #14) red.tan (WF16 x #15) gld.gld (WF18 x #18) brn.brn (WF20 x #20)

Components



KLSS32.NREG.##.xxx.xxx	32mm K-Line® Nelson Irrigation Sprinkler Skid Complete
KLSS40.NREG.##.xxx.xxx	40mm K-Line® Nelson Irrigation Sprinkler Skid Complete
KLSS45.NREG.##.xxx.xxx	45mm K-Line® Nelson Irrigation Sprinkler Skid Complete

choices (Regulator) = 50 (50psi) standard eg KLSS40.NREG.50.RED.RED
 45 (45psi)
 40 (40psi)

xxx.xxx choices (Plate.nozzle) = red.red (WF16 x #16) standard
 grn.grn (WF14 x #14) red.tan (WF16 x #15) gld.gld (WF18 x #18) brn.brn (WF20 x #20)

Components



KLSS32.NELR33.xxx.xxx	32mm K-Line® Nelson Irrigation Sprinkler Skid Complete
KLSS40.NELR33.xxx.xxx	40mm K-Line® Nelson Irrigation Sprinkler Skid Complete
KLSS45.NELR33.xxx.xxx	45mm K-Line® Nelson Irrigation Sprinkler Skid Complete

xxx.xxx choices (Plate.nozzle) = gry.#22 (grey 22 x 4.4mm) standard
 eg. KLSS40.NELR33.GRY.#22
 gld.#18 (gold 18 x 3.6mm) brn.#20 (brown 20 x 4.00mm) grn.#24 (green 24 x 4.8mm)

Components



Standard Pod Options

RXP Code	Description
KLSS32.NEL9D.xxx.xxx	32mm K-Line® Low Angle Orchard Sprinkler Skid Complete
KLSS40.NEL9D.xxx.xxx	40mm K-Line® Low Angle Orchard Sprinkler Skid Complete
KLSS45.NEL9D.xxx.xxx	45mm K-Line® Low Angle Orchard Sprinkler Skid Complete

xxx.xxx choices (Plate.nozzle) = pur.grn (K4 Purple x #14 Green) standard

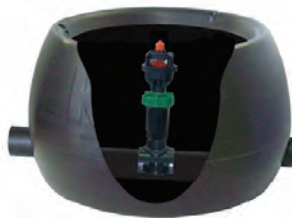
eg. KLSS32.NEL9D.PUR.GRN

pur.yel (K4 Purple x #13) org.tan (K5 Orange x #15Tan) org.red (K5 Orange x #16 Dark Red)

Components



Concept - The K-Line® 15mm pop-up allows the use of 9° low angle sprinklers in the pod. These are Nelson R2000 sprinklers that have flow rates between 400 and 800 litres per hour.



K-Line® Nelson R2000 9° low trajectory sprinkler, sitting below the top of the K-Line® pod while non-operational.



K-Line® Nelson R2000 9° low trajectory sprinkler, sitting above the top of the K-Line® pod while operational.

KLRS40.R33.xx.xx.1	40mm K-Line® Nelson Sprinkler Riser Complete - 1 metre
KLRS45.R33.xx.xx.1	45mm K-Line® Nelson Sprinkler Riser Complete - 1 metre

xx.xx choices (Plate.nozzle) = gy.22 (grey 22 x 4.4mm) standard

eg. KLRS40.R33.GY.22.1

gl.18 (gold 18 x 3.6mm) br.20 (brown 20 x 4.00mm) gr.24 (green 24 x 4.8mm)

Components



Concept - The K-Line® 1 metre riser allows the use of the K-Line in tall crops. The use of the K-Line Karousel® will allow the pod line to be moved around 90° and two of these units through 180°. The sprinklers are Nelson R33 sprinklers that have flow rates between 800 and 1800 litres per hour and spacings that would be up to 18m x 18m spacings.

Mid Pod Options

RXP Code	Description
KLMID32.NAAN5035.xxx	32mm K-Line® Mid Naan Irrigation 5035 Skid Complete
KLMID40.NAAN5035.xxx	40mm K-Line® Mid Naan Irrigation 5035 Skid Complete
KLMID45.NAAN5035.xxx	45mm K-Line® Mid Naan Irrigation 5035 Skid Complete

xxx Nozzle choices = red (red 6.00mm) standard eg. KLMID40.NAAN5035.RED

blue (blue 3.5mm) blk (black 4.0mm) brn (brown 4.5mm)
 pur(purple 5.0mm) org (orange 5.5mm) grey (grey 6.5mm) grn (green 7.0mm)

Components



KLMID32.ISEN50.xxx	32mm K-Line® Mid Irrigation Senninger 5023 Skid
KLMID40.ISEN50.xxx	40mm K-Line® Mid Irrigation Senninger 5023 Skid
KLMID45.ISEN50.xxx	45mm K-Line® Mid Irrigation Senninger 5023 Skid

xxx Nozzle choices = #16 (orange 6.35mm) standard eg. KLMID40.ISEN50.#16

#13 (white 5.16mm) #14 (blue 5.56mm)
 #15 (dark brown 5.95mm) #17 (dark green 6.75mm) #18 (purple 7.14mm)

Components



KLMID25.NAAN5035.xxx	25mm K-Line® Mid Naan 5035 Skid Complete
----------------------	--

xxx Nozzle choices = red (red 6.00mm) standard eg. KLMID25.NAAN5035.RED

blue (blue 3.5mm) blk (black 4.0mm) brn (brown 4.5mm)
 pur(purple 5.0mm) org (orange 5.5mm) grey (grey 6.5mm) grn (green 7.0mm)

K-LINE MID - (LONG LATERAL)



KLMID25.KIT	25mm K-Line® Mid Single Sprinkler Kit
-------------	---------------------------------------



Mid Pod Options

RXP Code	Description
KLMID40.SEN50.xxx	40mm K-Line® Mid Effluent Senninger 5023 Skid
KLMID45.SEN50.xxx	45mm K-Line® Mid Effluent Senninger 5023 Skid

xxx Nozzle choices = #16 (orange 6.35mm) standard eg. KLMID40.ISEN50.#16

#13 (white 5.16mm) #14 (blue 5.56mm)
 #15 (dark brown 5.95mm) #17 (dark green 6.75mm) #18 (purple 7.14mm)

Components



KLRMID40.R33.xx.xx.2	40mm K-Line® Nelson Sprinkler Riser Complete - 2 metre
KLRMID45.R33.xx.xx.2	45mm K-Line® Nelson Sprinkler Riser Complete - 2 metre

xx.xx choices (Plate.nozzle) = gy.22 (grey 22 x 4.4mm) standard eg. KLRMID40.R33.GY.22.2

gl.18 (gold 18 x 3.6mm) br.20 (brown 20 x 4.00mm) gr.24 (green 24 x 4.8mm)

Components



Concept - The K-Line® 2 metre riser allows the use of the K-Line® in tall crops. The use of the K-Line Karouse® will allow the pod line to be moved around 90° and two of these units through 180°. The sprinklers are Nelson R33 sprinklers that have flow rates between 800 and 1800 litres per hour and spacings that would be up to 18m x 18m spacings.

Max Pod Options

RXP Code	Description
KLMAX63.ISEN70.xxx	63mm K-Line® Max ⁷⁰ Irrigation Senninger 7025 Skid
KLMAX63SEN70xxx	63mm K-Line® Max ⁷⁰ Effluent Senninger 7025 Skid

xxx Nozzle choices = #24 (9.53mm) standard eg. KLMAX63.ISEN70.#24 (Irrigation) or KLMAX63SEN70#24 (Effluent)

#14 (5.56mm) #16 (6.35mm) #18(7.14mm) #20(7.94mm) #22(8.73mm)

Components



KLMAX63.ISEN80.xxx	63mm K-Line® Max ⁸⁰ Irrigation Senninger 8025 Skid
KLMAX63SEN80xxx	63mm K-Line® Max ⁸⁰ Effluent Senninger 8025 Skid

xxx Nozzle choices = #36 (14.29mm) standard eg. KLMAX63.ISEN80.#36 (Irrigation) or KLMAX63SEN80#36 (Effluent)

#24 (9.53mm) #26 (10.32mm) #28(11.11mm) #30(11.91mm)
 #32(12.7mm) #34 (13.49mm) #38 (15.08mm) #40 (15.88mm)

Components



Max⁷⁰ Irrigation for 2 ha

Infinite flexibility to suit any farm, water or power supply.

Max⁷⁰ is great for crops, seed establishment where you don't want to drag pods everywhere and where you can't pump low volume for long periods, high value areas (flats close to water source) to grow more grass, finishing blocks or just to get you over a pinch period.

- The Max⁷⁰ irrigation system will need to be shifted and the more you shift the greater the area covered.
- Our system is recommended to be suitable for up to 3.24 hectares based on 12 shifts operating for approximately 6 hours per shift.
- Paddock lengths and widths determine how many shifts are required. e.g. - a paddock 180mtr long x 120m wide would be:
 - Each pod covers 30m, x 3 pods per system, will therefore cover 90m x 2 shifts = 180m.
 - 120m width = 4 shifts x 30m.
 - Total shifts = 4 x width x 2 length = 8 shifts (fig. 2)
- This selection of nozzle configuration will apply 4.9mm/hour @ 2.8bar at the nozzle to 5.4mm applied per hour @ 3.45bar at the nozzle e.g. Operating for 5.5 hours pumping this system could irrigate roughly 25mm per week with an 8 day return period, (8 shifts).
- Max⁷⁰ irrigation systems can be run in multiples e.g. If you operate 9 pods at one time then an expected mainline pipe size of 90mm PE would be appropriate depending on installation.
- Pumps used are PTO driven (heaps of flow) , or trash pumps that can deliver enough water i.e. 3 pods approximately 12,000ltr for every 2-3 ha system.

WHAT YOU WILL NEED TO ORDER

PRODUCT	QTY
KLMAX63.ISEN70#18.8	3
K.PIPE63.050C	2
K.PIPE63.030C	2
KL63.CAMHOOK51	1
RXBV50	1
CAM51B	1
CAM51F	1
CAM51A	1

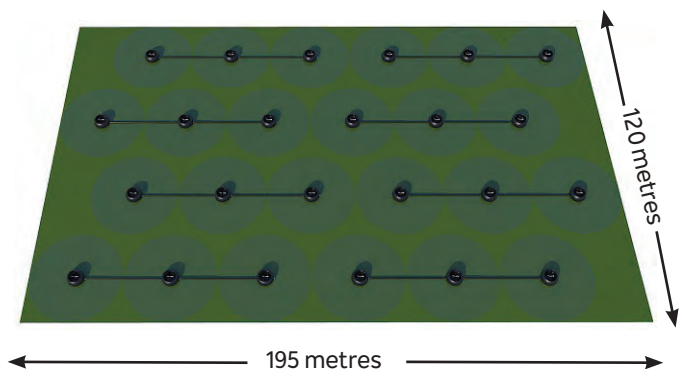
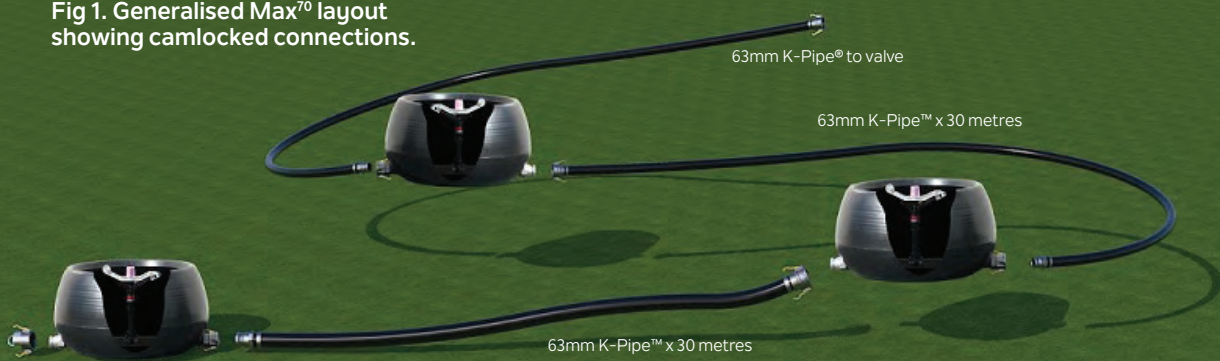


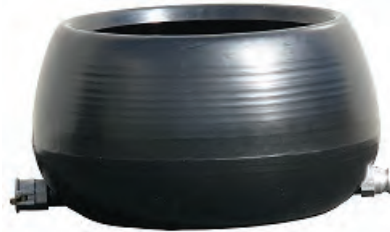
Fig. 2. Max⁷⁰ layout with 8 shifts.

Fig 1. Generalised Max⁷⁰ layout showing camlocked connections.



Spare Pods

RXP Code	Description
KLSTD.POD	K-Line® Std Skid only complete with U Bolt
KLMID.POD	K-Line® Mid Pod only complete with U Bolt
KLMAX63.SKID	K-Line® Max Pod only complete with manifold



K-Line® Tapping Saddle and Adaptor Packs

Std Pod, Naan 5022 Irrigation/Effluent Fittings Pack

NAAN5022-32PK	Brass Nuts, 32mm Tapping Saddle and Naan Adaptor - (Irrigation only)
NAAN5022-40PK	Brass Nuts, 40mm Tapping Saddle and Naan Adaptor
NAAN5022-45PK	Brass Nuts, 45mm Tapping Saddle and Naan Adaptor



Std Pod, Nelson R2000WF Irrigation Fittings Pack

NELR2KWF-32PK	Brass Nuts, 2mm Tapping Saddles and Nelson Adaptor
NELR2KWF-40PK	Brass Nuts, 40mm Tapping Saddles and Nelson Adaptor
NELR2KWF-45PK	Brass Nuts, 45mm Tapping Saddles and Nelson Adaptor



Std Pod, Nelson Regulated R2000WF Irrigation Fittings Pack

NELREGR2KWF-32PK	Brass Nuts, 32mm Tapping Saddles and Nelson Nipple
NELREGR2KWF-40PK	Brass Nuts, 40mm Tapping Saddles and Nelson Nipple
NELREGR2KWF-45PK	Brass Nuts, 45mm Tapping Saddles and Nelson Nipple



Std Pod, Nelson R33 Irrigation Fittings Pack

NELR33-32PK	Brass Nuts, 32mm Tapping Saddles and Nelson R33 Adaptor
NELR33-40PK	Brass Nuts, 40mm Tapping Saddles and Nelson R33 Adaptor
NELR33-45PK	Brass Nuts, 45mm Tapping Saddles and Nelson R33 Adaptor



Std Pod, Nelson R20009D Orchard Fittings Pack

NELR20009D-32PK	Brass Nuts, 32mm Tapping Saddle and RX Pop Up
NELR20009D-40PK	Brass Nuts, 40mm Tapping Saddle and RX Pop Up
NELR20009D-45PK	Brass Nuts, 45mm Tapping Saddle and RX Pop Up



K-Line® Tapping Saddle and Adaptor Packs

RXP Code	Description
Mid Pod, Senninger5035/Naan 5035 Irrigation/Effluent Fittings Pack	
KLMID-32PK	Brass Nuts, 32mm Tapping Saddle and Mid Adaptor - (Irrigation only)
KLMID-40PK	Brass Nuts, 40mm Tapping Saddle and Mid Adaptor
KLMID-45PK	Brass Nuts, 45mm Tapping Saddle and Mid Adaptor
Std Pod, 15mm (½") Riser Fittings Pack	
KLRK15-32PK	Brass Nuts, 32mm Tapping Saddle, 25 x 15mm Nipple, 25mm QuickLock, 25 x 15mm Socket
KLRK15-40PK	Brass Nuts, 40mm Tapping Saddle, 25 x 15mm Nipple, 25mm QuickLock, 25 x 15mm Socket
KLRK15-45PK	Brass Nuts, 45mm Tapping Saddle, 25 x 15mm Nipple, 25mm QuickLock, 25 x 15mm Socket
Mid Pod, 20mm (¾") Riser Fittings Pack	
KLRK20-32PK	Brass Nuts, 32mm Tapping Saddle, 25 x 15mm Nipple, 25mm QuickLock, 25 x 15mm Socket
KLRK20-40PK	Brass Nuts, 40mm Tapping Saddle, 25 x 15mm Nipple, 25mm QuickLock, 25 x 15mm Socket
KLRK20-45PK	Brass Nuts, 45mm Tapping Saddle, 25 x 15mm Nipple, 25mm QuickLock, 25 x 15mm Socket



K-LINE® SYSTEMS

K-LINE® SYSTEMS

K-Line® Fittings

RXP Code	Description
K-Line® Male Coupling	
KLMC32	K-Line® 32mm x 1¼" BSP Male Coupling
KLMC40	K-Line® 40mm x 1½" BSP Male Coupling
KLMC4550	K-Line® 45mm x 2" BSP Male Coupling
KLMC50	K-Line® 50mm x 2" BSP Male Coupling
K-Line® Female Coupling	
KLFC32	K-Line® 32mm x 1¼" BSP Female Coupling
KLFC40	K-Line® 40mm x 1½" BSP Female Coupling
KLFC50	K-Line® 50mm x 2" BSP Female Coupling
K-Line® Straight Coupling	
KLSC32	K-Line® 32mm Straight Coupling
KLSC40	K-Line® 40mm Straight Coupling
KLSC45	K-Line® 45mm Straight Coupling
KLSC50	K-Line® 50mm Straight Coupling
K-Line® Reducing Coupling	
KLRC4032	Kline 40mm x 32mm Reducing Straight Coupling
KLRC4540	Kline 45mm x 40mm Reducing Straight Coupling
Pipe Union	
APU32	32mm Pipe Union
APU40	40mm Pipe Union
APU50	50mm Pipe Union
Swivel	
ASW32	32mm Swivel
ASW40	40mm Swivel
ASW50	50mm Swivel
Swivel - Used with K-Line® up to a maximum working pressure of 60 psi	
Misc	
PMA4040	40mm x 40mm Plasson Male Adaptor



K-LINE® SYSTEMS

Tapping Saddles and U-Bolts

RXP Code	Description
RXTS3215	32mm x 15mm Take-off RX Tapping Saddle (2 bolt)
UB32.ORG	Ubolt for RXTS3215, includes brass nuts (Pre 2000)
RXTS4015	40 x 15mm Take-off RX Tapping Saddle (4 bolt)
UB32/40	Ubolt for RXTS4015, includes brass nuts (2000-2016)
KLTS32	32mm Old Style K-Line® Tapping Saddle (One Piece)
KLTS40	40mm Old Style K-Line® Tapping Saddle (One Piece)
UB32/40	Stainless steel U-bolt includes brass nuts, for KLTS32 and KLTS40



RXTS3215
with UB32.ORG



RXTS4015
with UB32/40



KLTS32 or KLTS40
with UB32/40

KLTPS32	32mm New Style K-Line® Tapping Saddle (One Piece)
KLTPS40	40mm New Style K-Line® Tapping Saddle (One Piece)
KLTPS45	45mm New Style K-Line® Tapping Saddle (One Piece)
UBSS32/40	Stainless steel U-bolt includes brass nuts, for KLTPS32, KLTPS40 and KLTPS45 (from 2016)
KLTPS63	63mm K-Line® Tapping Saddle 25mm BSP
PTSB63	63mm K-Line® Tapping Saddle Bare Top
UBSS63	Stainless steel U-bolt includes brass nuts, for KLTPS63 and PTSB63

KLSP-BRASS NUT K-Line® Brass Nut suitable for all U bolt styles



KLTPS40
with UBSS32/40



KLTPS32 or KLTPS45
with UBSS32/40



KLTPS63
with UBSS63



PTSB63
with UBSS63

*Please note: KLTS and KLTPS ranges do not come with brass flange nuts and need to be ordered separately.

K-LINE® SYSTEMS

Adaptors

RXP Code	Description
NELSON-ADAPTOR	Nelson Adaptor for non regulated Nelson Sprinkler
NELSON-NIPPLE	Nelson Adaptor for mini regulated Nelson Sprinkler
NAAN-ADAPTOR	Naan Adaptor For Std K-Line®
KLPU15	Kline 15mm Pop Up
MID.ADAPTOR	Mid Adaptor For Mid K-Line® with Senninger 5035 or Naan5035 Sprinkler
SEN70.ADAPTOR	K-Line® Max ⁷⁰ Standard Riser 1" x 1" BSP Suits K-Line® Max ⁷⁰ Skid Senninger 70 series
SEN80.ADAPTOR	K-Line® Max ⁸⁰ Standard Riser 1 ¼" x 1" BSP Suits K-Line® Max ⁸⁰ Skid Senninger 80 series
NELR33ADAPTOR	Nelson Adaptor - R33
KLQRR.SEN70	K-Line® Max ⁷⁰ Quick Release Riser 1" x 1" BSP Suits K-Line® Max ⁷⁰ Skid Senninger 70 series
KLQRR.SEN80	K-Line® Max ⁸⁰ Quick Release Riser 1 ¼" x 1" BSP Suits K-Line® Max ⁸⁰ Skid Senninger 80 series
RXPPR50.800KLMAX	50mm polyriser x 800mm with drilled hole for K-Line® Max Pods



NELSON ADAPTOR



NELSON NIPPLE



NAAN ADAPTOR



KLPU15



MID ADAPTOR



SEN70 ADAPTOR



SEN80 ADAPTOR



NELR33 ADAPTOR



KLQRR SEN70



KLQRR SEN80



RXPPR50.800KLMAX

K-Line™ Stock Guards

K-Line® Stock Guard

KLSG.OLD	K-Line® Stock Guard for Naan/Nelson Sprinkler (old style - pre 2004) includes screws
KLSG.STD	K-Line® Stock Guard for Naan/Nelson Sprinkler (new style) includes screws
KLSG.MID	K-Line® Stock Guard for Mid Pod includes screws
KLSG.MAX	K-Line® Stock Guard for Max Pod includes screws



KLSG.OLD



KLSG.STD



KLSG.MID



KLSG.MAX

Tow and Hook Caps

RXP Code	Description
	Plastic Tow Cap
RXTC32	32mm Tow Cap
RXTC40	40mm Tow Cap
RXTC50	50mm Tow Cap
	Plastic Tow Hook
KLPTH32	32mm Plastic Tow Hook
KLPTH40	40mm Plastic Tow Hook
	Galvanised Hook Cap
RXGHC32	32mm Galvanised Hook Cap
RXGHC40	40mm Galvanised Hook Cap
RXGHC50	50mm Galvanised Hook Cap



Naan Sprinklers

	Naan 5022
NAAN5022SD-xxx	Naan 5022 Super Diffuser Sprinkler (refer page 114) - for Std K-Line® ½" BSP Male
xxx Nozzle choices = red (red 3.00mm) standard eg. NAAN5022SD-RED or NOZZ5022-RED pur (purple 2.5mm) org (orange 2.85mm) grn (green 3.2mm) blue (blue 3.5mm) blk (black 4.0mm)	
NOZZ5022-xxx	Naan 5022 Super Diffuser Nozzle
	Naan 427
NAAN427	Naan 427 Sprinkler - Green nozzles available only
	Naan 5035
NAAN5035SD-xxx	Naan 5035 Super Diffuser Sprinkler - for Std or Mid K-Line® ¾" BSP Male
xxx Nozzle choices = red (red 6.00mm) standard eg. NAAN5035SD-RED or NOZZ5035-RED blue (blue 3.5mm) blk (black 4.0mm) brn (brown 4.5mm) pur (purple 5.0mm) org (orange 5.5mm) grey (grey 6.5mm) grn (green 7.0mm)	
NOZZ5035-xxx	Naan 5035 Super Diffuser Nozzle



K-LINE® SYSTEMS

Nelson Sprinklers and Regulators

RXP Code	Description
NEL-R2000WF-xx/xx	Nelson R2000 Windfighter Sprinkler with Acme connection

xxx.xxx choices (Plate.nozzle) = red.red (WF16 x #16) standard eg. NEL-R2000WF-RD/RD
gr.gr (WF14 x #14) rd.tn (WF16 x #15) gl.gl (WF18 x #18) br.br (WF20 x #20) **refer page 114**



NELSON.R33.xxx.xxx	Nelson R33 Sprinkler with Acme connection
--------------------	---

xxx.xxx choices (Plate.nozzle) = gry.#22 (grey 22 x 4.4mm) standard eg. NELSON.R33.
GRY.#22 gld.#18 (gold 18 x 3.6mm) brn.#20 (brown 20 x 4.00mm) grn.#24 (green 24 x 4.8mm)
refer page 115



NELSON.NOZZ.xxx	Nelson 2TN Effluent Nozzle
-----------------	----------------------------

xxx choices (Nozzles) = red (#16) NELSON.NOZZ.RED
grn (#14) tan (#15) gld (#18) brn (#20)



NELSON.PLATE.xxx	Nelson Plate
------------------	--------------

xxx choices (Plate) = red (WF16) standard eg. NELSON.PLATE.RED
grn (WF14) gld (WF18) brn (WF20)



Mini Regulator Drain Check (MRDC)

NEL-MRDC-40PSI	Nelson Mini Regulator Drain Check (MRDC) 40Psi
NEL-MRDC-45PSI	Nelson Mini Regulator Drain Check (MRDC) 45Psi
NEL-MRDC-50PSI	Nelson Mini Regulator Drain Check (MRDC) 50Psi



Brown Body

MR = Pressure Regulator, DC = Drain Check.

The regulator will only open at a medium pressure and will close at medium pressure, this stops drainage in the pipeline.

Mini Regulator (MR)

NEL-MR 40PSI MINIREG	Nelson Mini Regulator (MR) 40Psi
NEL-MR 45PSI MINIREG	Nelson Mini Regulator (MR) 45Psi
NEL-MR 50PSI MINIREG	Nelson Mini Regulator (MR) 50Psi



Grey Body

MR = Pressure Regulator.

Senninger Sprinklers

RXP Code	Description
ISEN5023.xxx	Irrigation Senninger 5023 Sprinkler #16 (white 5.16mm)
SEN5023-xxx	Effluent Senninger 5023 Sprinkler #16 (white 5.16mm)
SEN5023-NOZZ-xxx	Senninger 5023 #16 (white 5.16mm) Irrigation/Effluent Nozzle

xxx Nozzle choices = #16 (orange 6.35mm) standard
 eg. ISEN5023.#16 (Irrigation) or SEN5023-#16 (Effluent) or SEN5023-NOZZ-#16 (Nozzle)
 #13 (white 5.16mm) #14 (blue 5.56mm) #15 (dark brown 5.95mm) #17 (dark green 6.75mm)
 #18 (purple 7.14mm)

ISEN7025.xxx	Irrigation Senninger 7025 Sprinkler #24 (5.56mm)
SEN7025-xxx	Effluent Senninger 7025 Sprinkler #24 (5.56mm)
SEN7025-NOZZ-xxx	Senninger 7025 #24 (5.56mm) Irrigation/Effluent Nozzle
SEN7025.ARM.ASSY	7025 Assembly - Splasharm, Spring, Holder, Pin
SEN7025.BEARING.ASSY	7025 Plastic Bearing Assembly

xxx Nozzle choices = #24 (9.53mm) standard
 eg. ISEN7025.#24 (Irrigation) or SEN7025-#24 (Effluent), or SEN7025-NOZZ-#24 (Nozzle)
 #14 (5.56mm) #16 (6.35mm) #18(7.14mm) #20(7.94mm) #22(8.73mm)



ISEN8025.xxx	Irrigation Senninger 8025 Sprinkler #36 (9.53mm)
SEN8025-xxx	Effluent Senninger 8025 Sprinkler #36 (9.53mm)
SEN8025-NOZZ-xxx	Senninger 8025 #36 (9.53mm) Irrigation/Effluent Nozzle
SEN8025.ARM.ASSY	8025 Assembly - Splash Arm,
SEN8025.BEARING.ASSY	8025 Plastic Bearing Assembly

xxx Nozzle choices = #36 (14.29mm) standard
 eg. ISEN8025.#36 (Irrigation) or SEN8025-#36 (Effluent) or SEN8025-NOZZ-#36 (Nozzle)
 #24 (9.53mm) #26 (10.32mm) #28(11.11mm) #30(11.91mm) #32(12.7mm) #34 (13.49mm)
 #38 (15.08mm) #40 (15.88mm)



K-LINE® SYSTEMS

K-Line® Miscellaneous

RXP Code	Description
KLTL14.DRILL	14mm Spade Drill - Stepped
KLTL3.8.13.SOCKET	3/8" Drive x 13mm Long Socket
KLTL3.8.150.EXTN	3/8" Drive 150mm Extension
KLTL3.8.DRILL.ADAPTOR	3/8" Drive x Drill Head
KLR.1	K-Line® Riser - 1Mtr
KLR.2	K-Line® Riser - 2Mtr
KL.KAROUSEL.1200	K-Line® Karousel 1200mm
KL.KAROUSEL.1800	K-Line® Karousel 1800mm
KL.ROPE	K-Line® Ball Tow Rope 16mm x 2.5M
KLKSB	K-Line® Kwik Shift Ball
KL63.CAMCOUP51	51mm Camlock M & M Coupler Components - CAM51A and CAM51F
KL63.CAMHOOK51	51mm Camlock Female & Hook Cap Components - CAM51B and RXGHC50



Weeping Walls and Pond Filter

KLWEEP1000.1200.4MM	4mm Gap x 1000mm x 1200mm PVC Weeping Wall
KLWEEP1000.1200.6MM	6mm Gap x 1000mm x 1200mm PVC Weeping Wall
KLWEEP1000.1200.8MM	8mm Gap x 1000mm x 1200mm PVC Weeping Wall
KLWEEP1000.1500.4MM	4mm Gap x 1000mm x 1500mm PVC Weeping Wall
KLWEEP1000.1500.6MM	6mm Gap x 1000mm x 1500mm PVC Weeping Wall
KLWEEP1000.1500.8MM	8mm Gap x 1000mm x 1500mm PVC Weeping Wall
KLWEEP1200.1200.4MM	4mm Gap x 1200mm x 1200mm PVC Weeping Wall
KLWEEP1200.1200.6MM	6mm Gap x 1200mm x 1200mm PVC Weeping Wall
KLWEEP1200.1200.8MM	8mm Gap x 1200mm x 1200mm PVC Weeping Wall
KLWEEP600.2000.4MM	4mm Gap x 600mm x 2000mm PVC Weeping Wall
KLWEEP600.2000.6MM	6mm Gap x 600mm x 2000mm PVC Weeping Wall
KLWEEP600.2000.8MM	8mm Gap x 600mm x 2000mm PVC Weeping Wall
KLPF	K-Line® Pond Filter

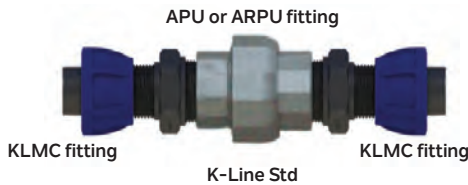


K-LINE® SYSTEMS

K-Line® Std and Mid Pods Hydrants



K-Line® Std and Mid Pods Fittings Options



32mm Feed - 32mm K-Line

= KLMC 32mm x 1 1/4", APU 32 (1 1/4") & KLMC 32mm x 1 1/4"

40mm Feed - 32mm K-Line

= KLMC 40mm x 1 1/2", ARPU 4032 (1 1/2" x 1 1/4") & KLMC 32mm x 1 1/4"

40mm Feed - 40mm K-Line

= KLMC 40mm x 1 1/2", APU 40 (1 1/2") & KLMC 40mm x 1 1/2"

45mm Feed - 40mm K-Line

= KLMC 4550 x 2", APU 50 (2"), RXRB 5040 (2" x 1 1/2") & KLMC 40mm x 1 1/2"

45mm Feed - 45mm K-Line

= KLMC 4550 x 2", APU 50 (2"), & KLMC 4550 x 2"

Connections - Feedline and K-Line®



KLSC32
32mm straight coupling



KLSC40
40mm straight coupling



KLRC4032
40 x 32mm reducing coupling

KLRC4550
45 x 50mm reducing coupling

K-LINE® SYSTEMS

End Connectors Std and Mid Pods



K-Line® Std & Mid

32mm = KLMC 32mm x 1 ¼" & RXTC 32mm (1 ¼")

40mm = KLMC 40mm x 1 ½" & RXTC 40mm (1 ½")

45mm = KLMC 45mm x 2" & RXTC 50mm (2")

K-Line® Std and Mid Internal Connections



Naan 5022SD
Naan Adaptor
Tapping Saddle



Nelson R2000WF
Mini Regulator
Nelson Nipple
Tapping Saddle



Nelson R2000WF
Nelson Adaptor
Tapping Saddle



Nelson R33
Nelson R33 Adaptor
Tapping Saddle



Nelson R20009D
Pop-Up Adaptor
Tapping Saddle



Naan 5035SD
Mid Adaptor
Tapping Saddle



Senninger 5023 Effluent
Mid Adaptor
Tapping Saddle



Senninger 5023 Irrigation
Mid Adaptor
Tapping Saddle

SOLID SET IRRIGATION

- Variable rate irrigation.
- No shifting required, removing labour costs.
- Permanent irrigation assets enhance land values and returns.
- Operations can be easily adjusted for seasonal requirements, stock movements and other farm maintenance activities.
- Lower maintenance costs compared to pivots.
- No need to remove shelterbelts and move fencing.
- Able to fertigate through the system as components are noncorrosive.
- Lower operational risks.

G-SET® POD

The G-Set® Pod solid set system is capable of operating in many environments where terrain or layout is not suitable for traditional types of irrigation such as centre pivots. With this sort of flexibility G-Set® is also ideal for use in conjunction with these types of irrigation systems to infill the areas where they are unable to reach, creating 100% effective use of the land.

- Sprinklers are low to the ground to minimise loss to the atmosphere.
- Variable installation depth with side entry for pipe work.
- Suitable for steep hill country and other marginal land.
- Lower to the ground to avoid stock rubbing against posts and damaging units.
- Low pressure system.
- Modular and scalable.

POST

- Higher sprinkler is suitable for more crop types.
- Low pressure system.
- Modular and scalable.



G-SET® SOLID SET IRRIGATION

TYPE A5 SIDE ENTRY

K-LINE® G-Set Type A5 Side Entry: KLGS63.A5.SE.80#XX

63mm Main Line G-Set® + Senninger 8025 Sprinkler + 2 Way Inline Hydraulic Valve, Side Entry and Heavy Duty Stockguard
 e.g. KLGS63.A5.SE.80#32 (ø12.7mm Nozzles + 6V DC 2 Way Latch Valve, side entry)

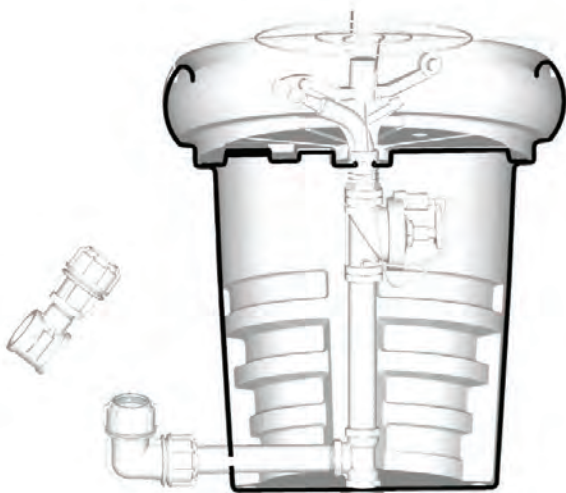
G-SET®
SOLID SET IRRIGATION



G-Set Pod



Valve and Sprinkler unit



_RXP Code	Description
KLGS63.A5.#XX.6VDCL	63mm G-Set + Senninger 8025 Sprinkler + 2 Way Inline Hydraulic Valve and Heavy Duty Stockguard
*#XX Choices (Nozzle) =	#32 (12.7mm) standard - KLGS63.A5.SE.80#32 #34 (13.49mm) #36 (14.29mm)

G-SET® SOLID SET IRRIGATION

TYPE POST A

K-LINE® G-Set® Type POST A: KLGS63.A.POST.#XX

63mm Main Line + (Post) + Senninger 8025 Sprinkler + 2 Way Inline Hydraulic Valve

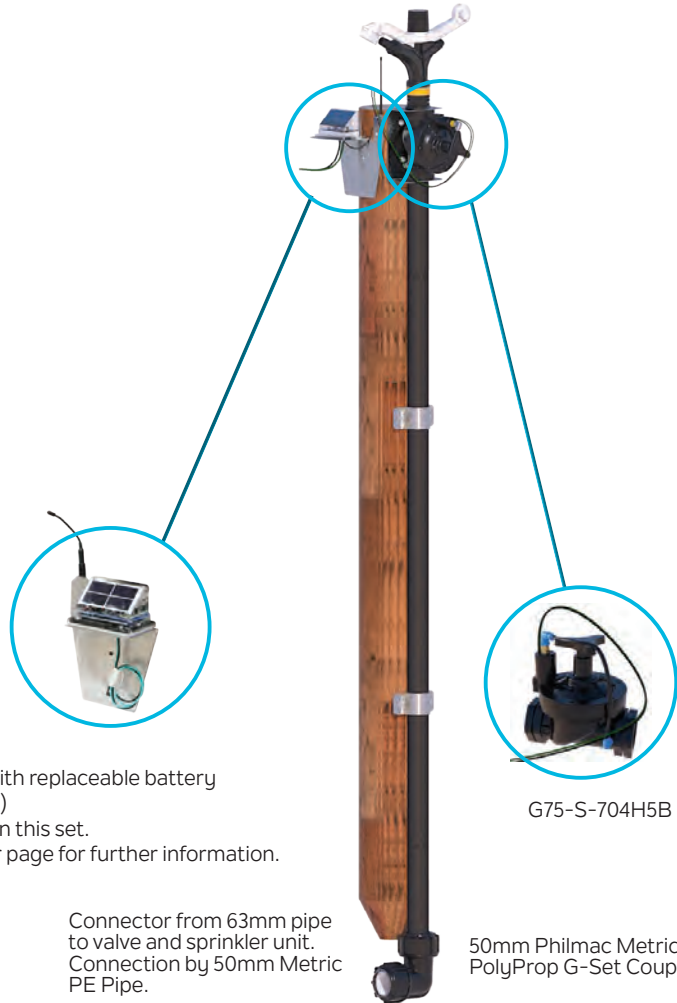
NB: POST not supplied

e.g. KLGS63.A.POST.#32 (ø12.7mm Nozzles + 6V DC 2 Way Latch Valve)

G-SET®
SOLID SET IRRIGATION



Valve and Sprinkler unit



KLGS.RX2000-P
Post Mount IPC with replaceable battery
(1500mAh @ 3.7V)
NB. Not included in this set.
See the Controller page for further information.

G75-S-704H5B

Connector from 63mm pipe
to valve and sprinkler unit.
Connection by 50mm Metric
PE Pipe.

50mm Philmac Metric Elbow x
PolyProp G-Set Coupler



63 x 40mm Tapping
Saddle and
50mm Philmac
Metric Fitting x 1 1/2"

RXP Code

Description

KLGS63.A.POST.#32

63mm Main Line + (POST) + Senninger 8025 Sprinkler + 2 Way
Inline Hydraulic Valve. N.B POST not supplied

*#XX Choices (Nozzle) =

#32 (12.7mm) standard - KLGS63.A.POST.#32

#34 (13.49mm)

#36 (14.29mm)

G-SET® SOLID SET IRRIGATION

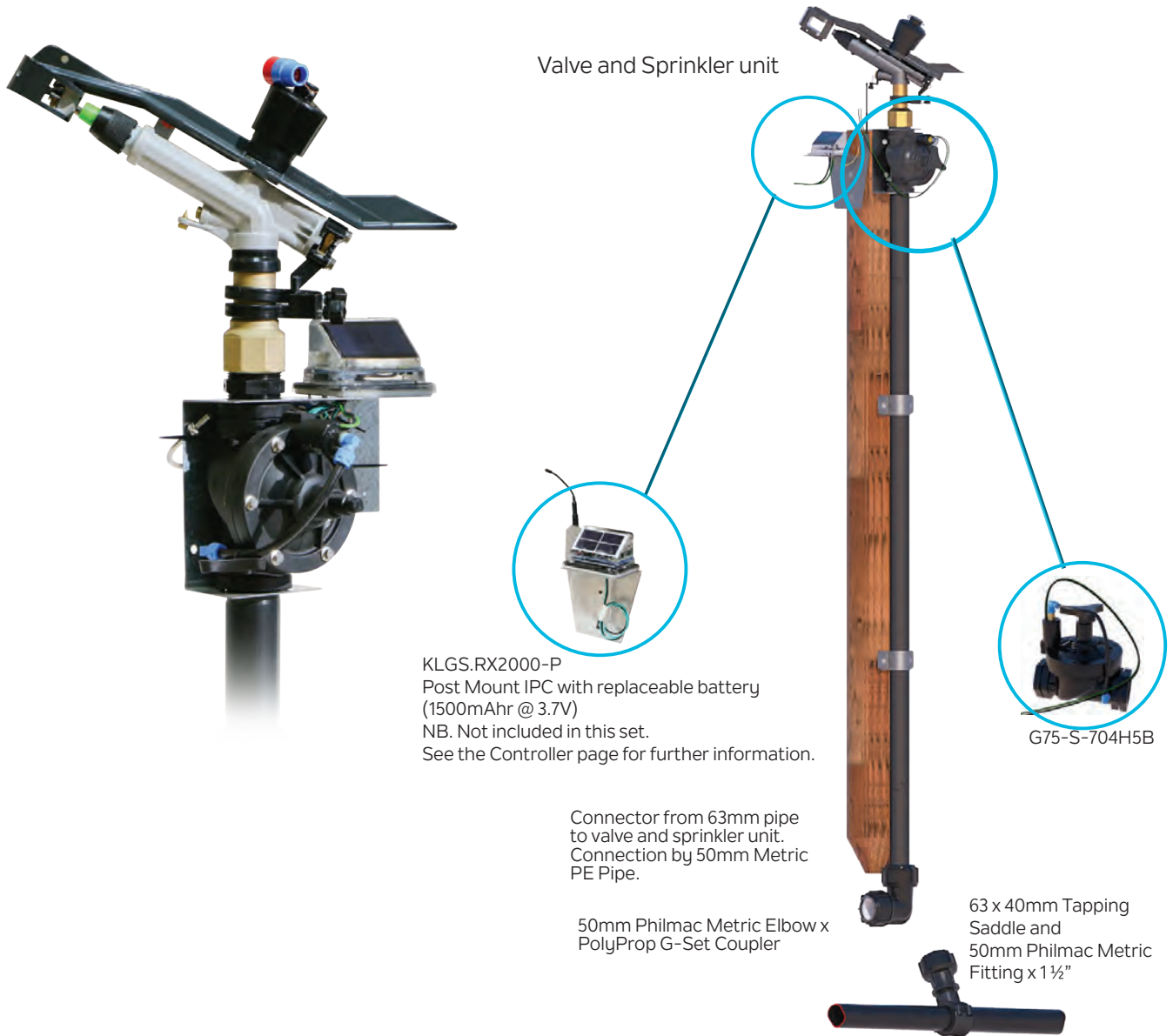
TYPE POST A

K-LINE® G-Set® Type POST A: KLGS63.A.POST.PC

63mm Main Line + (Post) + ATOM28 Sprinkler complete with 3 nozzles (10mm, 12mm and 14mm)+ 2 Way Inline Hydraulic Valve

NB: POST not supplied.

G-SET®
SOLID SET IRRIGATION



RXP Code

Description

KLGS63.A.POST.PC

63mm Main Line + (POST) + ATOM28 Sprinkler + 2 Way Inline Hydraulic Valve. N.B POST not supplied

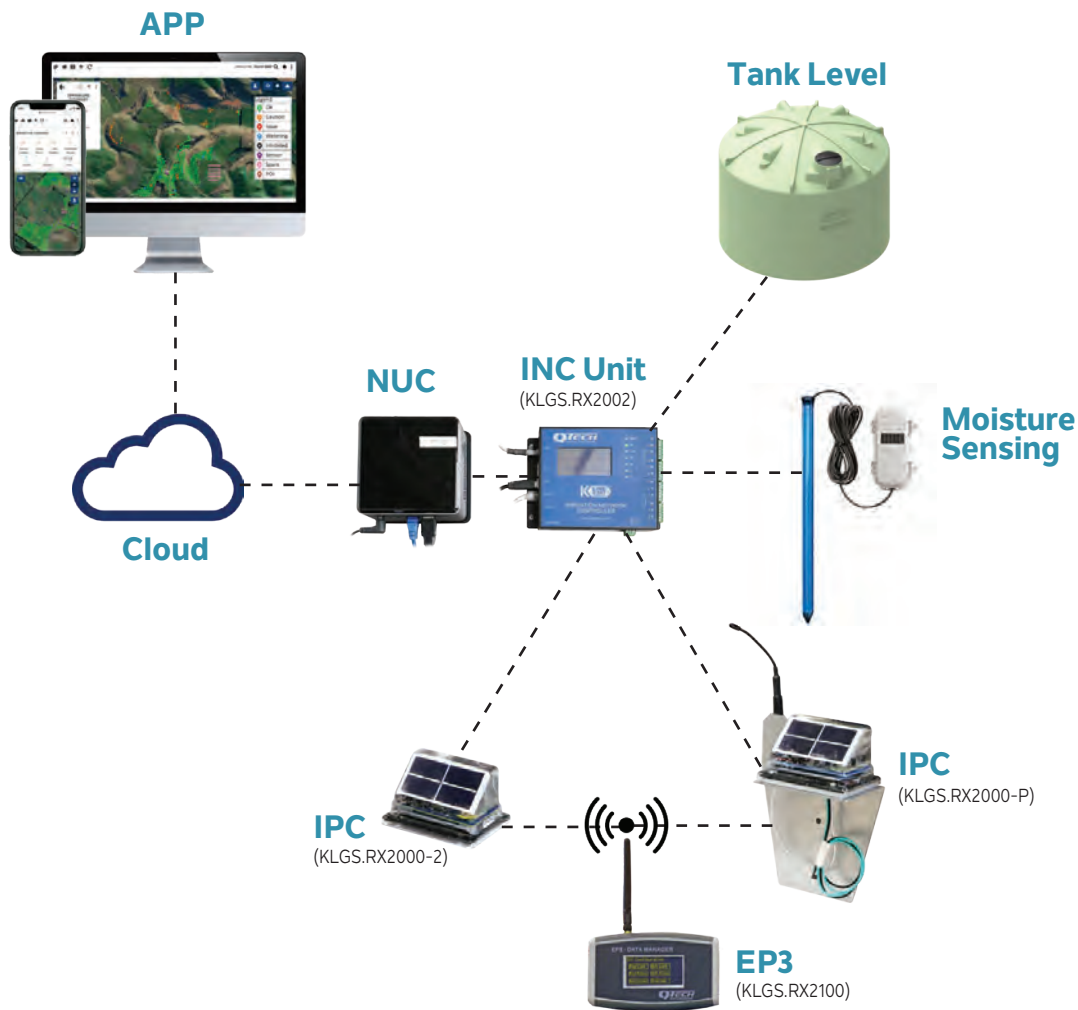
G-SET® SOLID SET IRRIGATION

Water-Insight Controllers

RXP Code	Description
KLGS.RX2000-P	Irrigation Pod Controller, complete with Stainless Steel bracket and mounted aerial - Generation 2 with replaceable battery
KLGS.RX2000-2	Irrigation Pod Controller (IPC) Generation 2 - Replaceable Battery
Controllers will be preprogrammed for each system by RXP, upon system delivery.	
KLGS.C-1013	Irrigation Pod Controller (IPC), Battery and bracket



Water-Insight also offer a fully cloud based platform, designed to provide farmers with a smart way of monitoring and controlling the use of water. It allows farmers to visualise their farm operations and remotely manage all irrigation and sensor devices. This service is subscription based.



G-SET®
SOLID SET IRRIGATION

G-SET® SOLID SET IRRIGATION

Performance Table - Naan5022SD

Nozzle (mm)	P bar	Q m ³ /hr	D m
2.5 Purple	2.5	0.360	21.0
	3.0	0.440	21.0
	4.0	0.510	21.0
2.8 Orange	2.5	0.530	22.0
	3.0	0.580	22.0
	4.0	0.670	23.0
3.0 Red	2.5	0.570	21.0
	3.0	0.630	22.0
	4.0	0.720	23.0
3.2 Green	2.5	0.640	21.2
	3.0	0.700	22.2
	4.0	0.810	23.0
3.5 Blue	2.5	0.740	23.0
	3.0	0.810	23.0
	4.0	0.930	24.0
4.0 Black	2.5	0.95	23.2
	3.0	1.030	24.2
	4.0	1.180	26.0

Performance Table - Naan5035SD

Nozzle (mm)	P bar	Q m ³ /hr	D m
3.5 Blue	3.0	0.790	24.0
	4.0	0.910	25.0
	5.0	1.040	25.0
4.0 Black	3.0	1.040	26.0
	4.0	1.200	26.0
	5.0	1.350	28.0
4.5 Brown	3.0	1.320	28.0
	4.0	1.540	29.0
	5.0	1.710	30.0
5.0 Purple	3.0	1.610	29.0
	4.0	1.870	31.0
	5.0	2.100	32.0
5.5 Orange	3.0	1.930	31.0
	4.0	2.230	34.0
	5.0	2.490	35.0
6.0 Red	3.0	2.260	32.0
	4.0	2.620	34.0
	5.0	2.940	36.0



Performance Table - R2000WF Plate/Nozzle Options and Flow Performance in LPH

Plate Options*	Recommended Nozzles	BAR				
		2.75	3.0	3.5	4.0	4.5
Green WF 14 Radius 39 -41 Ft (11.9 - 12.5 M)	# 14 Green (7/64)	487	509	550	590	626
Red WF 16 Radius 41 -43 Ft (12.5 - 13.1 M)	# 15 Tan (15/128)	574	597	647	695	737
	#16 Red (1/8)	655	685	739	792	837
Gold WF18 Radius 40 -42 Ft (12.2 - 12.8 M)	# 18 Gold (9/64)	834	869	940	1001	1060
Dark Brown WF20 Radius 42 -45 Ft (12.8 - 13.7 M)	# Dark Brown ***	1016	1062	1144	1222	1295



G-SET®
SOLID SET IRRIGATION

G-SET® SOLID SET IRRIGATION

Performance Table - R33

			R33 Performance Range 2.75 - 4.5 Bar							
			Pressure In							
Plate	Nozzle		2.75	3.00	3.25	3.50	3.75	4.00	4.25	4.50
Gold 18	3.6mm	LPH	825	862	897	931	964	996	1027	1058
		RAD (m)	13.4	13.6	13.7	13.7	13.7	14.0	14.0	13.7
Brown 20	4.0mm	LPH	1009	1054	1099	1143	1179	1217	1255	1293
		RAD (m)	14.0	14.2	14.5	14.6	14.7	14.6	14.5	14.3
Grey 22	4.4mm	LPH	1218	1272	1325	1375	1423	1468	1511	1554
		RAD (m)	14.6	14.8	15.1	15.2	15.0	15.0	14.8	14.6
Green 24	4.8mm	LPH	1447	1513	1577	1639	1698	1753	1807	1862
		RAD (m)	14.9	15.2	15.4	15.5	15.5	15.5	15.5	15.2



G-SET®
SOLID SET IRRIGATION

Performance Table - R2000 9°

Plate Series	Plate Options	Recommended Nozzles	BAR				
			2.0	2.5	3.0	3.5	4.0
K4	K4 9° Purple Radius 8.2 -9.4m Stream Ht: 54-79 cm	Yellow #13	366	411	451	487	521
		Green #14	413	463	509	550	590
		1.5 2000 FC	1.5 2000FC* nominal flow - 341 LPH				
		2.0 2000 FC	2.0 2000FC* nominal flow - 454 LPH				
K5	K5 9° Orange Radius 8.5 -9.4m Stream Ht: 58-86cm	Tan #15	485	544	597	647	695
		Dark Red #16	559	624	685	739	792
		2.5 2000FC	2.5 2000FC* nominal flow - 568 LPH				

The performance data in this section has been recorded under ideal test conditions and may be adversely affected by poor hydraulic entrance conditions, slope, riser tilt, temperature, wind or other factors.



Plate colour band comes in white, black or grey to match the diffuser colour.

Always be sure

- To use the nozzle size that is recommended for the plate.
- The operating pressure is within the recommended range.
- The colour of the diffuser for the R2000 matches that of the colour band on the R2000 plate.

Only the nozzle and plate combinations grouped together in the above chart are recommended.

* Flow control nozzle are flow regulating within a flow range of no more than 3.5% greater and 8% less than the nominal flow.

G-SET® SOLID SET IRRIGATION

Performance Table - Senninger 5023 - Irrigation

Sprinkler Base Pressure [Bar]	2.07	2.41	2.76	3.10	3.45	3.79	4.14	4.48
#13 Nozzle - White [5.16mm]								
Flow [L/h]	1476	1594	1701	1806	1903	1999	2087	2169
Diam.at 0.46m ht. [m]	28.0	29.0	29.9	30.5	31.1	31.4	31.7	32.0
#14 Nozzle - Blue [5.56mm]								
Flow [L/h]	1701	1837	1960	2083	2194	2294	2408	2498
Diam.at 0.46m ht. [m]	28.7	29.9	30.8	31.4	32.0	32.3	32.6	32.9
#15 Nozzle - Dark Brown [5.95mm]								
Flow [L/h]	1933	2087	2228	2362	2498	2612	2725	2839
Diam. at 0.46m ht. [m]	29.3	30.5	31.4	32.3	32.6	32.9	33.2	33.5
#16 Nozzle - Orange [6.35mm]								
Flow [L/h]	2187	2362	2521	2680	2816	2953	3089	3225
Diam. at 0.46m ht. [m]	29.9	31.1	32.0	32.9	33.2	33.5	33.8	34.1
#17 Nozzle - Dark Green [6.75mm]								
Flow [L/h]	2430	2635	2794	2975	3134	3293	3430	3566
Diam. at 0.46m ht. [m]	30.2	31.7	32.6	33.5	33.8	34.1	34.4	34.7
#18 Nozzle - Purple [7.14mm]								
Flow [L/h]	2703	2930	3112	3316	3498	3657	3816	3975
Diam. at 0.46m ht. [m]	30.5	32.0	33.2	34.1	34.4	34.7	35.1	35.4



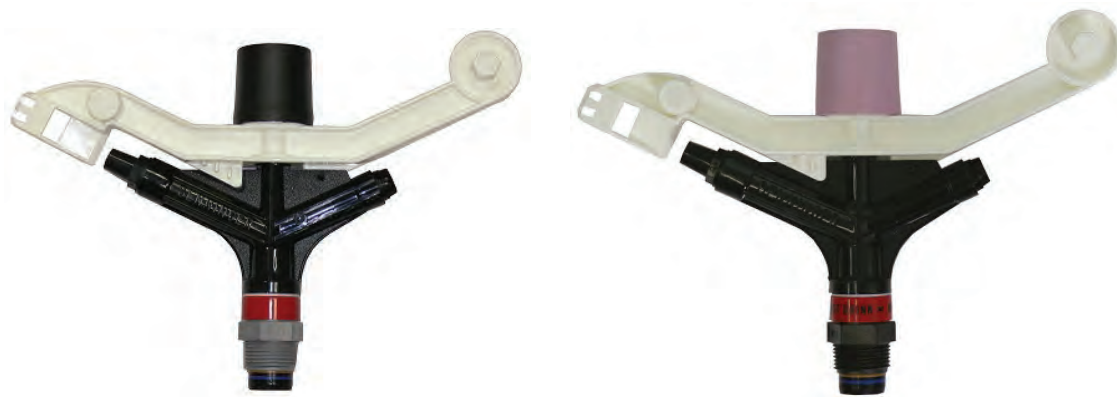
Performance Table - Senninger 5023 - Effluent

Sprinkler Base Pressure [Bar]	2.07	2.41	2.76	3.10	3.45	3.79	4.14	4.48
#13 Nozzle - White [5.16mm]								
Flow [L/h]	1476	1594	1701	1806	1903	1999	2087	2169
Diam.at 0.46m ht. [m]	27.4	28.0	28.7	39.3	29.9	30.5	30.7	30.8
#14 Nozzle - Blue [5.56mm]								
Flow [L/h]	1701	1837	1960	2083	2194	2294	2408	2498
Diam.at 0.46m ht. [m]	27.7	28.3	29.0	39.6	32.2	32.8	31.4	31.4
#15 Nozzle - Dark Brown [5.95mm]								
Flow [L/h]	1933	2087	2228	2362	2498	2612	2725	2839
Diam. at 0.46m ht. [m]	28.0	28.7	29.3	29.9	30.5	31.1	31.7	32.0
#16 Nozzle - Orange [6.35mm]								
Flow [L/h]	2187	2362	2521	2680	2816	2953	3089	3225
Diam. at 0.46m ht. [m]	29.9	31.1	32.0	32.9	33.2	33.5	33.8	34.1
#17 Nozzle - Dark Green [6.75mm]								
Flow [L/h]	2430	2635	2794	2975	3134	3293	3430	3566
Diam. at 0.46m ht. [m]	28.7	29.3	29.9	30.5	31.1	31.7	32.3	32.6
#18 Nozzle - Purple [7.14mm]								
Flow [L/h]	2703	2930	3112	3316	3498	3657	3816	3975
Diam. at 0.46m ht. [m]	29.0	29.6	30.2	30.8	31.4	32.0	32.6	32.9



G-SET® SOLID SET IRRIGATION

Performance Table - Senninger 7025 - Irrigation and Effluent



Sprinkler Base Pressure [Bar]	2.41	2.76	3.10	3.45	3.79	4.14	4.48	4.83
#14 Nozzle [5.56mm]								
Flow [L/h]	1837	1967	2090	2201	2317	2408	2498	2612
Diam. at 0.46m ht. [m]	32.3	33.8	34.4	35.1	35.7	36.3	36.9	37.5
#16 Nozzle - [6.35mm]								
Flow [L/h]	2430	2589	2748	2907	3043	3180	3316	3430
Diam. at 0.46m ht. [m]	33.8	35.7	36.6	37.5	38.4	39.3	39.9	40.5
#18 Nozzle - [7.14mm]								
Flow [L/h]	3021	3225	3407	3611	3770	3952	4111	4270
Diam. at 0.46m ht. [m]	36.0	37.8	38.7	39.3	40.8	42.4	43.3	43.9
#20 Nozzle - [7.94mm]								
Flow [L/h]	3634	3884	4134	4361	4565	4770	4951	5156
Diam. at 0.46m ht. [m]	37.8	39.6	40.8	41.8	43.8	44.5	45.7	46.6
#22 Nozzle - [8.73mm]								
Flow [L/h]	4384	4656	4951	5201	5474	5701	5928	6155
Diam. at 0.46m ht. [m]	38.4	40.5	43.0	45.1	46.6	47.9	48.8	49.4
#24 Nozzle - [9.53mm]								
Flow [L/h]	5088	5428	5746	6064	6359	6655	6905	7177
Diam. at 0.46m ht. [m]	39.6	42.1	44.2	46.0	47.5	48.8	50.6	51.5

G-SET® SOLID SET IRRIGATION

Performance Table - Senninger 8025 - Irrigation and Effluent



G-SET®
SOLID SET IRRIGATION

Sprinkler Base Pressure [Bar]	2.41	2.76	3.10	3.45	3.79	4.14	4.48	4.83	5.17
#24 Nozzle [9.53mm]									
Flow [L/h]	5360	5724	6064	6405	6723	7018	7291	7563	7836
Diam. at 0.46m ht. [m]	39.0	40.8	42.4	43.9	45.4	46.9	47.9	48.5	48.8
#26 Nozzle - [10.32mm]									
Flow [L/h]	5542	6655	7041	7427	7790	8154	8472	8790	9108
Diam. at 0.46m ht. [m]	41.5	43.3	44.8	46.3	47.9	49.1	50.0	50.6	51.2
#28 Nozzle - [11.11mm]									
Flow [L/h]	7223	7700	8176	8631	9040	9448	9834	10198	10561
Diam. at 0.46m ht. [m]	43.3	45.1	46.6	47.9	49.1	50.6	51.5	52.1	52.7
#30 Nozzle - [11.9mm]									
Flow [L/h]	8199	8767	9289	9789	10266	10720	11175	11583	11992
Diam. at 0.46m ht. [m]	44.8	46.6	48.2	49.4	50.6	51.8	52.7	53.3	54.3
#32 Nozzle - [12.7mm]									
Flow [L/h]	9312	9971	10561	11129	11674	12197	12696	13173	13650
Diam. at 0.46m ht. [m]	45.7	47.5	49.1	50.3	51.5	52.7	53.6	54.6	55.8
#34 Nozzle - [13.49mm]									
Flow [L/h]	10516	11243	11924	12583	13196	13786	14332	14877	15399
Diam. at 0.46m ht. [m]	46.6	48.5	50.0	51.2	52.4	53.6	54.9	55.8	56.7
#36 Nozzle - [14.29mm]									
Flow [L/h]	11788	12605	13378	14104	14786	15444	16080	16694	17261
Diam. at 0.46m ht. [m]	42.7	49.1	50.6	51.8	53.0	54.3	55.8	57.0	57.9
#38 Nozzle - [15.08mm]									
Flow [L/h]	12719	13605	14422	15195	15944	16648	17330	17988	18624
Diam. at 0.46m ht. [m]	47.9	49.7	51.2	52.4	53.6	54.9	56.4	57.9	58.5
#40 Nozzle - [15.88mm]									
Flow [L/h]	-	15240	16149	17034	17875	18647	19419	20146	20850
Diam. at 0.46m ht. [m]	-	50.3	51.8	53.0	54.3	55.5	57.0	58.5	59.1

Welding

- RXP has the expertise and facilities to undertake plastic welding on our site or yours.
- This includes welding of fittings onto tanks.
- Our commitment to Health and Safety means we are qualified to:
 - work in confined space or at height
 - hold a fork-hoist licence
 - certified welders

Industrial Bins

RXP Code	Description
Ribbed Hide Bin	
IRHB.1250LN	1250 Litre Ribbed Hide Bin only - Natural
890mm (h) x 1400mm (w) x 1135mm (l) Comes with 3 x 50mm buttress thread bungs. Bins are nestable and can be forklifted.	
IRHB.LIDN	Ribbed Hide Bin Lid only - Natural
Offal Bin	
IOB.1340LB	1340 Litre Offal Bin - Black
IOB.1340LG	1340 Litre Offal Bin - Green
1185mm (h) x 1150mm (w) x 1150mm (l) Bins have no bungs. Bins are nestable and can be forklifted.	
IOB.LIDB	Offal Bin Lid - Black
IOB.LIDBB	Offal Bin Lid With Bungy Cord - Black
IOB.LIDBN	Offal Bin Lid With Bungy Cord - Natural
IOB.LIDBG	Offal Bin Lid With Bungy Cord - Green
Bungy cords prevent the lids from falling off.	



INDUSTRIAL

Fishing / Pumping

RXP Code	Description
	Mussel Buoys
IMBF.B	Mussel Buoy Float - Black
IMBF.BLUE	Mussel Buoy Float - Blue
IMBF.O	Mussel Buoy Float - Orange

1400mm (l) x 690mm (d)
Pressurised before dispatched from factory.
Uses - fishing industry, dairying, irrigation, pontoons. 300kg of floatation.



Safety

	Safe T Step
ISS.YELLOW	Safe T Step - Yellow

360mm (h) X 475mm (w) x 475mm (l)
Available in Yellow. Loaded rated to 120kgs (certificate 5104091602).
Features non slip strip on the top and rubber buffers on the base.
Uses - Supermarkets, schools, libraries, factories, offices, warehouses and stores and Safety Equipment resellers.



ISS.FEET SCREWS Safe T Step Feet and Screw

Barrels and Casks

	Casing Cask Barrel
ICCB.150LB	150 Litre Casing Cask Barrel - Black

740mm (h) x 530mm (d)

ICCB.200LB	200 Litre Casing Cask Barrel - Black
------------	--------------------------------------

875mm (h) x 645mm (d)

Barrels supplied with screw in lid.
Used in freezing works for casing, or for stockfeed.



	Bulkie Barrel
IBKB.200LB	200 Litre Bulkie Barrel with Screw in Lid - Black
IBKB.200LN	200 Litre Bulkie Barrel with Screw in Lid- Natural

875mm (h) x 615mm (d)

IBKB.220LB	220 Litre Bulkie Barrel with Screw in Lid - Black
IBKB.220LN	220 Litre Bulkie Barrel with Screw in Lid - Natural

970mm (h) x 615mm (d)

Barrels supplied with screw in lid.
Used in freezing works for casing, or for stockfeed.



	200 Litre Barrel
ID.200LDGBLUE	200 Litre Barrel - Blue

970mm (h) x 615mm (d)



Tanks and Bins

RXP Code	Description
	Open Top Tank
RX422LB	422 Litre Open Top Tank - Black
RX422LN	422 Litre Open Top Tank - Natural
980mm (h) x 825mm (d)	
RX1818LB	1818 Litre Open Top Tank - Black
RX1818LN	1818 Litre Open Top Tank - Natural
1240mm (h) x 1500mm (d)	
Supplied with a slip on lid. Replacement lids are not available.	



	1000 Litre Bin Liner
IBLIN.1000LN	1000 Litre Bin Liner Natural
1200mm (h) x 1000mm (w) x 1000mm (l)	
Lids available on request - POA.	



	Rounded Tapered Bin with Lid
IBIN.100LN	100 Litre Rounded Tapered Bin with Lid - Natural
1180mm (height) x 620mm (top) x 430mm (base)	
Stackable food handling bin with easy fit lid. Replacement lids are not available.	



	150 Litre Bin with Castors
IBIN.150LN	150 Litre Bin With Castors - Nat (Sims)
600mm (h) x 550mm (w) x 810mm (l)	
Features four castors for easy movement. Suitable for laundry and hospital industry.	



Segregation Bins

	Segregation Bin
ISB.85LG	85 Litre Segregation Bin - Green For Foods
657mm (h) x 560mm (w) x 560mm (l)	
Bins are screwed to base and then base can be bolted to the deck of the vehicle.	
Fully sealed lockable lid.	



ISB.450LG	450L Segregation Bin - Green For Foods
815mm (h) x 970mm (w) x 970mm (l)	
Fully sealed lockable lid.	



INDUSTRIAL

INDUSTRIAL

Tubs

RXP Code	Description
	90 Litre Tub
ITUB.90LB	90 Litre Tub - Black
ITUB.90LN	90 Litre Tub - Natural
415mm (h) x 345mm (w) x 645mm (l)	



Tub With Lid	
ITUB.160LN	160 Litre Tub With Lid - Natural
310mm (h) x 530mm (w) x 980mm (l) This product is nestable for freighting.	



ITUB.189LB	189 Litre Tub With Lid - Black
ITUB.189LN	189 Litre Tub With Lid - Natural
450mm (h) x 580mm (w) x 900mm (l)	



ITUB.238LB	238 Litre Tub With Lid - Black
ITUB.238LN	238 Litre Tub With Lid - Natural
500mm (h) x 590mm (w) x 940mm (l)	



These products are nestable for freighting. Replacement lids are not available.

ITUB.432LB	432 Litre Tub With Lid - Black
ITUB.432LN	432 Litre Tub With Lid - Natural
600mm (h) x 600mm (w) x 1200mm (l) Replacement lids are not available for the above Tubs.	



Jetter Tub	
ITUB.250LN	250 Litre Jetter Tub - Natural
660mm (h) x 675mm (w) x 1030mm (l)	



ITUB.360LN	360 Litre Tub Jetter - Natural
660mm (h) x 675mm (w) x 1350mm (l)	



ITUB.500LN	500 Litre Tub Jetter - Natural
660mm (h) x 675mm (w) x 1820mm (l) Replacement lids for Jetter Tubs are not available.	



Hopper

ISH.1200LN	1200L Square Hopper - Natural
ISH.1200LB	1200L Square Hopper - Black
1670mm (h) x 1150mm (w) Uses - grains, stockfeeds, tallow, molasses, fats and oils.	



Chamber Pits

CBA600	Class B Chamber Pit - 600mm
Height 610mm. Suits 600mm excavation depth. 10mm wall thickness	



CBA900	Class B Chamber Pit - 900mm
Height 910mm. Suits 900mm excavation depth. 10mm wall thickness	



INDUSTRIAL

Chemical Tanks

Please enquire customerservice@rxplastics.co.nz

Wine Tanks

A cost effective storage option for a bulk beverage storage.
Please enquire: customerservice@rxplastics.co.nz

Premium Wine Tank

- Food grade polyethylene tank (FDA approved).
- UV stabilised.
- Easy to clean.
- Stainless steel top entry manway complete with pressure/vacuum relief valve.
 - 450mm ID - 500 to 15,400 litre
 - 500mm ID - 25,700 to 31,500 litre
- Stainless steel side entry manway 500mm ID (not available on 500 and 1,100 litre tanks).
- 25mm short handled ball valve on top of the dome (not available on 500 and 1,100 litre tanks).
- Stainless steel 50mm BSP to RJT butterfly valve.
- 10 year warranty or 5 year warranty, when side entry manway installed.
- Minimum turnaround - 2 weeks from placement of order.



Colours available



Beige



Light Grey



Mist Green

Sizes available

- Extra small: 500 litres and 1,100 litres
- Small: 5,800 litres and 8,000 litres
- Medium: 15,400 litres
- Large: 25,700 litres and 31,500 litres

Standard Wine Tank

- Food grade polyethylene tank (FDA approved).
- UV stabilised.
- Easy to clean.
- Plastic food grade screw in lid (vented).
 - 450mm - 500 to 15,400 litre
 - 620mm - 25,700 to 31,500 litre
- Food grade 50mm tank fitting.
- 50mm ball valve.
- 25mm short handle ball valve on top of the dome (not available on 500 and 1,100 litre tanks).
- 10 year warranty or 5 year warranty, when side entry manway installed.





TERMS AND CONDITIONS OF SUPPLY

RX Plastics Ltd ("the company") products and services ("goods") are supplied subject to the following Terms and Conditions of sale which shall prevail despite any indication to the contrary given by any person acting or purporting to act on this company's behalf. Any variations to the conditions set out below require our written confirmation (including all representations or understandings which may conflict with any of them).

1. Purpose:

1.1 All goods are supplied to Buyers for business purposes and accordingly the Consumer Guarantees Act 1993 does not apply to these conditions of sale.

2. Acceptance:

2.1 Receipt of an order will be deemed acceptance by the Buyer of these terms, notwithstanding anything stated to the contrary in the Buyer's enquiries on the Buyer's order.

3. Delivery:

3.1 Goods are offered subject to availability and are sold on the basis that the place of delivery is the Buyer's premises. Delivery to the Buyer's nominated carrier or to a carrier appointed by the Company shall be deemed delivery to the Buyer. Where the Buyer requires delivery other than their own premises (store), the Buyer accepts all liability for loss or damage and subsequent payment/s.

4. Freight and Insurance:

4.1 Freight and transit insurances are to the Buyer's account unless specified to the contrary.

5. Assignment:

5.1 The Customer may not assign all or any of its rights or obligations under this contract without the prior written consent of the Company.

6. Waiver:

6.1 The failure of the Company at any time to enforce any provision of this agreement shall not be construed as a waiver of any such provision or shall not in any way affect the validity of this contract or any part thereof. All waivers shall be effective only in writing by the Company.

7. Tolerances:

7.1 Unless otherwise agreed in writing or specifically prescribed by an applicable specification or standard, all goods are sold subject to:

- (a) manufacturer's normal tolerances, variations and limitations in respect of dimension, mass, straightness, composition, mechanical properties, surface and internal conditions chemical composition and quality; and
- (b) diversions from such tolerances, variations and limitations consistent with practical testing and inspection methods; and
- (c) any discrepancy in quantity not exceeding 10% from that ordered; and
- (d) the Company's normal packaging practice.

8. Payment:

8.1 All prices are net on delivery of the goods to the custody of the first Carrier.
8.2 Payment is due on the 20th on the month following date of delivery to the custody of the first carrier, except that for goods supplied direct from overseas on indent or specific order for the customer payment is due on receipt of the Company's invoice, or bill of lading, or other negotiable instrument, whichever is presented first. The Company reserves the right to treat each separate delivery as a separate contract for the purposes of payment.

9. Default of Payment:

9.1 It is acknowledged that the relationship between the Company until the Buyer is that of vendor and purchaser for cash, and that this clause has effect only when the buyer defaults on the obligation to pay for the goods.
9.2 The Buyer agrees to pay interest on all sums outstanding at 2.5% per month from the date of default (i.e. when payment becomes due and is not made) until payment is made.
9.3 If a solicitor or debt collector is instructed by the Company the Buyer agrees to pay the solicitor or debt collector's reasonable fees and disbursements as charged to the Company in full.
9.4 All payments by the Buyer shall be applied first in the reduction of interest and costs due pursuant to 9.2 and 9.3 and the balance shall then be applied in reduction of amounts due under 8.2.
9.5 The Company shall be entitled at any time to assign to any other person (being a related company of RX Plastics Ltd within the meaning ascribed to that term by section 2 (3) of the Companies Act 1993) all or any part of the debt owing to the Company and notwithstanding any rule of common law or equity to the contrary or the appointment of a liquidator receiver and/or manager over the Buyer or the assets thereof, the assignee shall be entitled to claim full rights of set-off or counterclaim against the Buyer, its charge holders or successors, in respect of the debt or part thereof so assigned.
9.6 Without prejudice to such other rights as the Company may have the Buyer agrees to grant to the Company such further security as the Company may from time to time request so as to secure to the Company all sums due to it. Such security may be by way of a mortgage of land or directors personal guarantees or a debenture charge over the assets of the Buyer and shall be prepared at the Buyer's expense by the Company's solicitors and shall contain all usual provisions. Should the Buyer default granting of any such security in registrable form then the Company is hereby irrevocably appointed the Buyer's attorney in the Buyer's name and on its behalf to enter into, execute and sign all deeds, instruments, acts and things whatsoever which may be necessary to complete such further security.

10. Ownership and Risk:

10.1 Ownership in the goods shall remain vested in the Company until the Buyer has made payment in full for all goods supplied by the Company to the Buyer, together with all interest and monies due.
10.2 Until payment in full in terms of Clause 10.1:

- (a) all goods supplied shall remain the sole and absolute property of the Company;
- (b) the Buyer will hold the goods in trust for the Company as bailee of the Company;
- (c) the Buyer shall store the goods on the Buyer's premises in such a manner as to make them readily identifiable as belonging to the Company and shall display such identification as may from time to time be requested by the Company;
- (d) if the goods are sold by the Buyer then all proceeds of sale shall be the property of the Company and shall be retained in a separate account by the Buyer in trust for the Company and shall not be intermingled with any other monies or paid into any overdrawn bank account and shall at all times be kept identifiable as monies held in trust for the Company;
- (e) if before it becomes the owner of the goods the Buyer makes new objects from the goods or incorporates them into or with other goods those other or new goods shall be held on trust for the Company;
- (f) the Buyer will "on demand" (as those words are defined in the Fifth Schedule in the Chattels Transfer Act 1924 now repealed) assign to the Company all proceeds of sale of the goods by the Buyer and will upon request disclose to the Company full details of the sale and the proceeds;
- (g) where the Company has reasonable cause to believe the Buyer has not strictly complied with these Terms and Conditions or that the Buyer has or will commit an act of bankruptcy or (being a company) has had a receiver appointed or about to be appointed the Company may repossess any or all of the goods supplied and for such purpose may at any time day or night enter by force if necessary upon any premises where such goods are reasonably thought to be stored.

10.3 Notwithstanding anything else herein contained, the risk in any and all goods supplied shall pass to the Buyer on dispatch of the goods from the Company's premises and in particular, the Buyer shall be responsible for all goods in transit and shall fully insure them.
10.4 The Buyer shall reimburse the Company for all liabilities and expenses (including legal expenses) incurred by it in enforcing or attempting to enforce any rights it has under this Clause 10.

11. Cancellation:

- 11.1 Notwithstanding any other agreement as to the terms of payment, the total purchase price shall immediately become due and payable and the company shall have the right to forthwith cancel this contract (without prejudice to any other of its rights) upon the occurrence of any of the following events:
- The Buyer ceases, or threatens to, carry on the business;
 - The Buyer enters into any negotiations for any arrangement or composition with its creditors;
 - The Buyer is unable to pay its debts (including contingent liabilities) as they fall due;
 - The Buyer becomes bankrupt or commits an available act of bankruptcy or proceedings are taken for liquidation of the Buyer's affairs;
 - The Buyer, being a company, goes into liquidation whether voluntary or compulsory or does anything or fails to do anything which would allow a receiver or manager to be appointed or a receiver or manager to take possession of any of the Buyer's assets or which would entitle any person to present an application for winding up or is wound up or dissolved or placed under statutory management or enters into a scheme or arrangement with its creditors or any class thereof;
 - Any distress or execution is levied on the Buyer;
 - Breach by the Buyer of any other terms contained in this agreement.
- 11.2 Upon the happening of any or more than one of the above events the Company will be entitled to repossess and resell goods which remain the property of the Company within the terms of Clause 8.

12. Prices:

- 12.1 Prices quoted are GST exclusive and are based on rates and charges in effect at the date of the sales contract or as listed in the Company's price book.
- 12.2 Any difference between these rates and charges and those actually ruling at the time of delivery or incurred by the Company will be to the Buyer's account.
- 12.3 The rates and charges referred to above include, but are not limited to:
- the rates of currency exchange, freight, insurance and customs duty;
 - the cost of labour, wharfage, clearing, handling and delivery;
 - the cost of the goods to the Company.
- 12.4 Where contracts are based on the latest terms of supply available to the Company from a specific supplier the Company reserves the right to pass on to the Buyer any extra costs incurred by the Company as a result of:
- Changes in the terms of supply by that supplier; or
 - The Company accessing an alternative supplier.
- 12.5 Where the Company issues special quoted prices on the Company's standard quote form, the conditions of the quotation document shall apply, notwithstanding other related standard terms and conditions of sale as contained herein.

13. Tax:

- 13.1 Any tax is additional to the Company's quoted prices and shall be the Buyer's responsibility.

14. Limitation of Liability:

14. The following provisions shall not apply to any supply of goods made to a Buyer for personal, domestic or household use but only to supplies made for business purposes
- 14.2 The Company's liability in any event (whether under these Terms and Conditions or otherwise howsoever) is limited to:
- the replacement of any goods supplied free of charge on the same basis as originally agreed or as set out in Clause 3 hereof; or
 - at the option of the Company a refund of the sale price; and
 - in respect of defective goods not manufactured by it, the Company shall in no event be liable to pay to the Buyer any amount in excess of such amount (if any) as it shall have received from its supplier in respect of the defect; and
 - if the contract is frustrated, and/or the goods cannot be delivered for any cause whatsoever, then it is expressly agreed that all expenses incurred by the Company in connection with the contract are to be set off against any sum payable by the Company to the Buyer; and the balance, if any, of the Company's expenses in connection with the contract over the amount of the set-off, is to be paid to the Company by the Buyer.
- 14.3 The Company accepts no responsibility for labour, material and other costs incurred in removing defective goods and refitting its replacement or for any loss or damage howsoever arising from and whether directly or indirectly attributable to, any defect in any goods supplied.
- 14.4 Without limiting anything elsewhere contained in these Terms and Conditions, the Company will not be liable for labour, material and other costs or any consequential losses incurred in respect of the Company's failure to supply the goods, or to supply them by any particular time or at any particular place.
- 14.5 'Downgrade' material is sold without warranty as to product quality fitness for purpose or compliance with specification.
- 14.6 Except as expressly provided in these Conditions all express or implied conditions, statements or warranties, whether statutory or otherwise, are expressly excluded.
- 14.7 The Buyer shall indemnify the Company against any and all liability the Company may incur as a result of supplying or agreeing to supply goods to the Buyer other than any liability arising under Clause 14. 2 or any liability to a consumer arising under the Consumer Guarantees Act 1993. This indemnity shall extend to any liability of the Company to any third party who has acquired the goods from the Buyer for business purposes and the Buyer has failed to contract out of the provisions of the Consumers Guarantees Act 1993.
- 14.8 No clause herein shall be construed as limiting any other clause, but shall be construed as extending the widest limitation of liability in favour of the Company (which term shall for the purposes of this clause be deemed to include officers, employees and agents),

15. Law Applicable:

- 15.1 This contract shall be construed and governed by the laws of New Zealand.

16. The Privacy Act 1993

- 16.1 The Buyer acknowledges that:
- Personal information collected or held by the Company (whether contained in this document or otherwise obtained) is provided and may be held, used and disclosed for the following purposes:
 - Administering, whether directly or indirectly, the Company's contracts and enforcing the Company's rights thereunder;
 - Marketing goods and services provided by the Company;
 - Ascertaining at any time the Buyer's creditworthiness and obtaining at any time credit reports, character references or credit statements;
 - Enabling the Company to notify any credit agency of any application for credit or default on any obligation of the Buyer to the Company enabling the Company to provide such personal information to any credit agency so such credit agency can maintain effective accounting records;
 - Enabling the Buyer to communicate with the Company for any purpose;
 - Such personal information is collected by and will be held by the Company whose address is Maronan Rd, PO Box 360, Ashburton, New Zealand.
- 16.2 The Buyer has the right under the Privacy Act 1993 to obtain access to and to request correction of any personal information concerning it held by the Company.
- 16.3 The Buyer authorises the Company to obtain at any time from any person or entity, any information the Company may require to process and/or accept any application for credit the Buyer may make to the Company or to perform or complete any of the other purposes for which the Buyer has provided personal information to the Company. The Buyer authorises any such person to release to the Company any personal information that person holds concerning the Buyer.
- 16.4 For the purposes of the preceding clauses the term "the Company" includes any financier or discounter of the Company's contract or any related company of the Company. The term "related company" has the meaning given it by the Companies Act 1993 or replacement legislation.

17. Force Majeure:

- 17.1 The Company is not liable for failure or delay in supply or delivery occasioned by strike, industrial dispute, natural disaster, shortage or unavailability of stocks of products or raw materials, shortage of labour, lack of skilled labour, failure of the Customer's suppliers delay in transit, import restriction, legislative governmental or other prohibition or restriction, fire, flood, hostilities, commotions or other causes whatsoever beyond the Company's reasonable control including power outage or telecommunication disruption or act of war or terrorist attack.

18. Local Laws:

- 18.1 It shall be entirely the responsibility of the buyer to ensure that the goods and the use thereof comply with the laws, regulations and codes of a particular country or local authority and with the requirements of the Buyer.

19. Acceptance of Quotation:

- 19.1 The Company's quotation shall be deemed to be withdrawn unless accepted by the buyer within a period of 30 days from the date of issue, unless otherwise agreed.

20. GST

- 20.1 Prices will be quoted inclusive or exclusive of GST and such option shall be specified in writing on the quotation.

21. Allocation of Payments Received:

- 21.1 Where, at any time, there is an amount owing by the buyer under any two or more contracts, the Company may apply a payment made by the buyer in such manner (including in such order and to any amounts owing to the Company, including under another contract) as the Company thinks fit and in the Company's sole discretion (despite any direction to the contrary and whether before or after any default by the buyer). The security interest provided for by these Terms and created by this Agreement also secures the amount owing under each contract and this Agreement shall be construed accordingly.

22. Payment by other than Cash:

22.1 Receipt by the Company of any form of payment other than cash shall not be deemed to be payment until that form of payment has been honoured.

23. Inspection and Returns:

23.1 The buyer agrees to inspect the goods and verify delivery within 7 days of receipt. If no notice to the contrary has, within 7 days of delivery, been communicated to the company, the buyer is deemed to have accepted the goods or services as received. The Company will, at the company's option issue a credit note for the goods or will repair or replace the goods where disclosed as faulty on such inspection following delivery and when the goods are authorised by the Company to be returned to the company as faulty.

24. Queries/Disputes:

24.1 The Company will not consider any job or account queries which are not raised within 1 month from the date of invoice.

25. Security Interest:

25.1 Each contract for the supply of goods entered into between the buyer and the Company creates, in favour of the Company, a security interest in the goods which are the subject of the contract and such security interest secures the payment by the buyer to the Company of all amounts the buyer may owe the Company from time to time and at any time, including future advances.

25.2 The buyer authorises the Company to take possession of the collateral if the Company from time to time deems it necessary to do so to perfect or re perfect the Company's security interest in the collateral. For the purposes of this clause, possession includes but is not limited to the meaning ascribed to it in section 18 of the PPSA.

25.3 The buyer agrees that it will not do any thing or allow any act to be done which would have the effect of allowing the creation of a lien over any or all of the collateral that is the subject of the Company's security interest.

25.4 The buyer agrees to indemnify the Company, upon demand from the Company, for all costs and expenses (including legal fees) incurred to the Company as a result of the buyer defaulting under this Agreement and in complying with any demand made under section 162 of the PPSA.

25.5 On the request of the Company, the buyer shall promptly do all things necessary and provide all information required by the Company to enable the Company to perfect and maintain the perfection of any security interest granted to the Company by the buyer (including registration of a financing statement over the goods or the proceeds thereof).

25.6 The buyer shall promptly notify the Company of any changes to its personal details as supplied on the credit application form. Where the buyer proposes to change its name, it shall notify the Company accordingly within 5 days of the change taking effect.

25.7 The buyer shall, within five working days of receiving a written request from the Company, supply the Company with copies of all security interests registered over the buyer's personal property and the Customer hereby authorises the Company, as its duly appointed agent, to request information from any secured party relating to any security interest to which the buyer is a debtor.

26. Security Interest where goods become Accessions etc:

26.1 The Company's interest in the goods continues if the goods are processed included or dealt with in any way causing them to become accessions processed or commingled goods (as defined in the PPSA). The security interest in the original goods will continue in the whole in which they are included and the buyer agrees that it will not grant to any other person a security interest in either the goods or in the whole.

27. Verification Statement:

27.1 The Customer waives its right to receive a copy of the Verification Statement in respect of any financing statement relating to the security interest granted to the Company by the Buyer.

28. Receiver:

28.1 In addition to any other right, power or remedy of the Company expressed or implied in this agreement, at any time after the Customer has defaulted in its obligations, the Company may appoint in writing any person or persons receiver of all or any of the collateral and the receiver shall have the power set out in the Receiverships Act 1993.

29. Trustee Liability:

29.1 Where the Customer is a trust, each trustee of the trust is bound by this Agreement and the trustees' liability shall not be limited to the assets of trust unless the trustee is an independent trustee (being a trustee who has no right to or interest in any of the assets of the trust either directly or indirectly except in the trustee's capacity as trustee of that trust). However, this limitation of liability for independent trustees shall not affect the liability of the independent trustee that personally guarantees the buyer's obligations under this Agreement.

30. Contracting out of the PPSA:

30.1 The parties contract out of sections 114(1)(a), 117(1)(c), 133 and 134 of the PPSA.

30.2 The parties contract out of Buyers rights in sections 116, 119, 120(2), 121, 125, 129, 131 and 132 of the PPSA.

31. Warranty:

31.1 Subject to the conditions of warranty set out in clause 31.2 the Seller warrants that if any defect in any workmanship of the Seller becomes apparent and is reported to the Seller within twelve (12) months of the date of delivery (time being of the essence) then the Seller will either (at the Seller's sole discretion) replace or remedy the workmanship.

31.2 The conditions applicable to the warranty given by clause 31.1 are:

- (a) the warranty shall not cover any defect or damage which may be caused or partly caused by or arise through:
- (b) failure on the part of the Buyer to properly maintain any Goods; or
- (c) failure on the part of the Buyer to follow any instructions or guidelines provided by the Seller; or
- (d) any use of any Goods otherwise than for any application specified on a quote or order form; or
- (e) the continued use of any Goods after any defect becomes apparent or would have become apparent to a reasonably prudent operator or user; or
- (f) fair wear and tear, any accident or act of God.

31.3 The warranty shall cease and the Seller shall thereafter in no circumstances be liable under the terms of the warranty if the workmanship is repaired, altered or overhauled without the Seller's consent.

31.4 In respect of all claims the Seller shall not be liable to compensate the Buyer for any delay in either replacing or remedying the workmanship or in properly assessing the Buyer's claim.

31.5 For Goods not manufactured by the Seller, the warranty shall be the current warranty provided by the manufacturer of the Goods. The Seller shall not be bound by nor be responsible for any term, condition, representation or warranty other than that which is given by the manufacturer of the Goods.

31.6 To the extent permitted by statute, no warranty is given by the Seller as to the quality or suitability of the Goods for any purpose and any implied warranty, is expressly excluded. The Seller shall not be responsible for any loss or damage to the Goods, or caused by the Goods, or any part thereof however arising.

31.7 The conditions applicable to the warranty given on Goods supplied by the Seller are contained on the 'Warranty Card' that will be supplied with the Goods.

31.8 In the case of second hand Goods, the Buyer acknowledges that he has had full opportunity to inspect the same and that he accepts the same with all faults and that no warranty is given by the Seller as to the quality or suitability for any purpose and any implied warranty, statutory or otherwise, is expressly excluded. The Seller shall not be responsible for any loss or damage to the Goods, or caused by the Goods, or any part thereof however arising.

32. Intellectual Property:

32.1 Where the Seller has designed, drawn or developed Goods for the Buyer, then the copyright in any designs and drawings and documents shall remain the property of the Seller.

32.2 The Buyer warrants that all designs, specifications or instructions given to the Seller will not cause the Seller to infringe any patent, registered design or trademark in the execution of the Buyer's order and the Buyer agrees to indemnify the Seller against any action taken by a third party against the Seller in respect of any such infringement.

32.3 The Buyer agrees that the Seller may (at no cost) use for the purposes of marketing or entry into any competition, any documents, designs, drawings or Goods which the Seller has created for the Buyer.

33. Unpaid Seller's Rights:

33.1 Where the Buyer has left any item with the Seller for repair, modification, exchange or for the Seller to perform any other service in relation to the item and the Seller has not received or been tendered the whole of any moneys owing to it by the Buyer, the Seller shall have, until all moneys owing to the Seller are paid:

- (a) a lien on the item; and
- (b) the right to retain or sell the item, such sale to be undertaken in accordance with any legislation applicable to the sale or disposal of uncollected goods.

33.2 The lien of the Seller shall continue despite the commencement of proceedings, or judgment for any moneys owing to the Seller having been obtained against the Buyer.

34. General:

34.1 These terms and conditions and any contract to which they apply shall be governed by the laws of New Zealand and are subject to the jurisdiction of the courts of New Zealand.

34.2 The Seller shall be under no liability whatsoever to the Buyer for any indirect and/or consequential loss and/or expense (including loss of profit) suffered by the Buyer arising out of a breach by the Seller of these terms and conditions (alternatively the Seller's liability shall be limited to damages which under no circumstances shall exceed the Price of the Goods).

34.3 The Buyer shall not be entitled to set off against, or deduct from the Price, any sums owed or claimed to be owed to the Buyer by the Seller nor to withhold payment of any invoice because part of that invoice is in dispute.

34.4 The Seller may license or sub-contract all or any part of its rights and obligations without the Buyer's consent.

34.5 The Buyer agrees that the Seller may amend these terms and conditions at any time. If the Seller makes a change to these terms and conditions, then that change will take effect from the date on which the Seller notifies the Buyer of such change. The Buyer will be taken to have accepted such changes if the Buyer makes a further request for the Seller to provide Goods to the Buyer.



by **alixis**

PO Box 360, Ashburton 7740
P: 0800 288 558
E: customerservice@rxplastics.co.nz
rxplastics.co.nz